

ISOMETRIC

01:55:18 PM FILE: S1557155

NOTES:  
 1. ERECT ALL MEMBER WITH THE MARKED END IN THE SAME RELATIVE POSITION AS SHOWN ON THE ERECTION DRAWING.  
 2. B.O.S. = BOTTOM OF STEEL. ELEVATIONS REFERENCED (xxx-x x/x) ARE TOP OF STEEL.  
 3. PLEASE PROVIDE INFORMATION AND VERIFICATIONS INDICATED IN CLOUDED AREAS. CLOUDED NOTES WITH NO REMARKS FROM THE APPROVAL AUTHORITY WILL BE CONSIDERED AS AN AFFIRMATION.

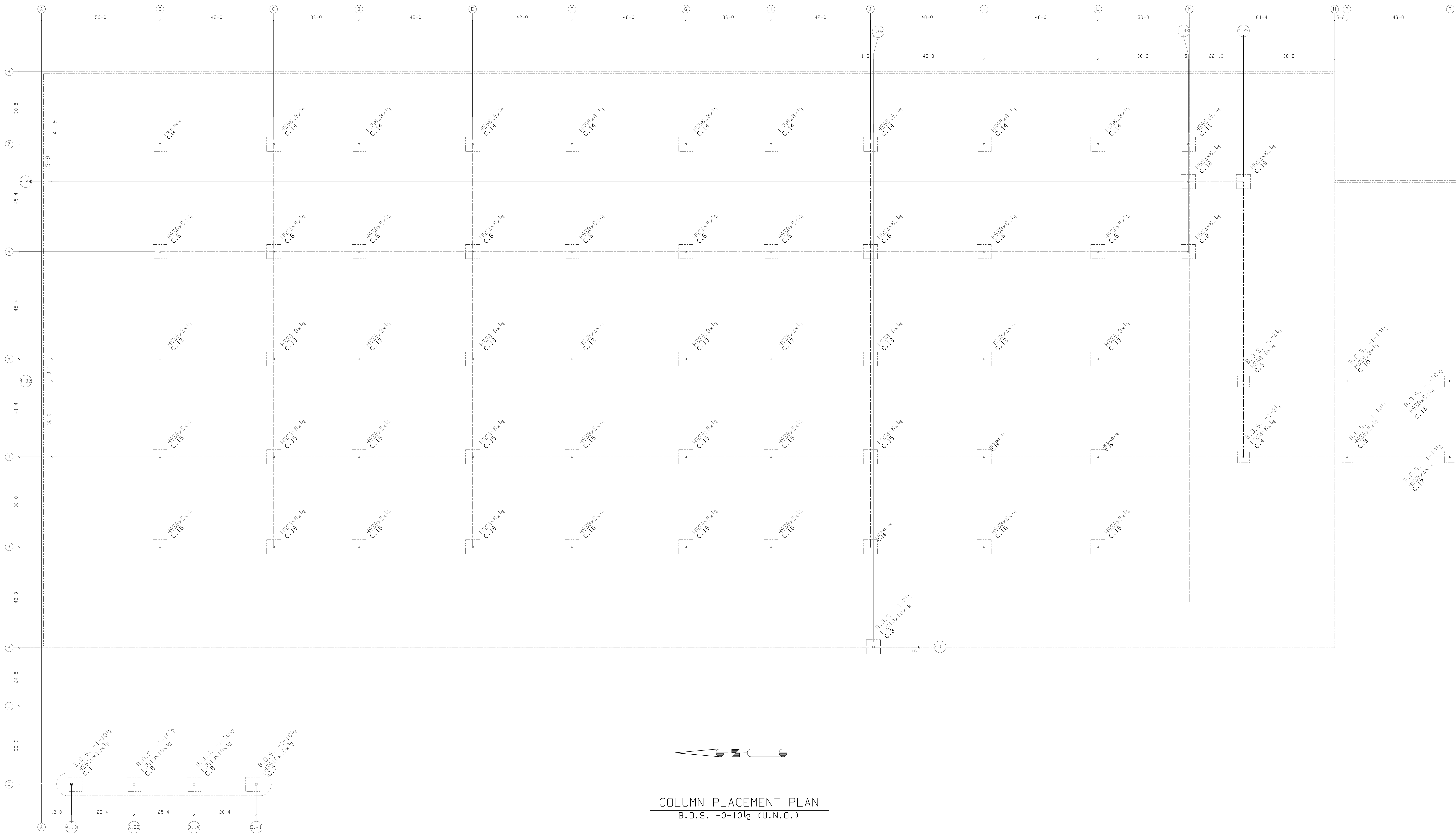
REF:

DETAILING: FABRICATION TECHNICAL SERVICES, INC.  
 JOB 1182 1839 S. GREENSFERRY RD, COEUR D'ALENE ID 83814  
 (208) 457-8282 fax: (208) 457-8208

NORTHWEST STEEL FAB  
 PO Box 113  
 Colbert, WA 99005  
 Ph: (509) 466-8200 Fax: (509) 466-1435

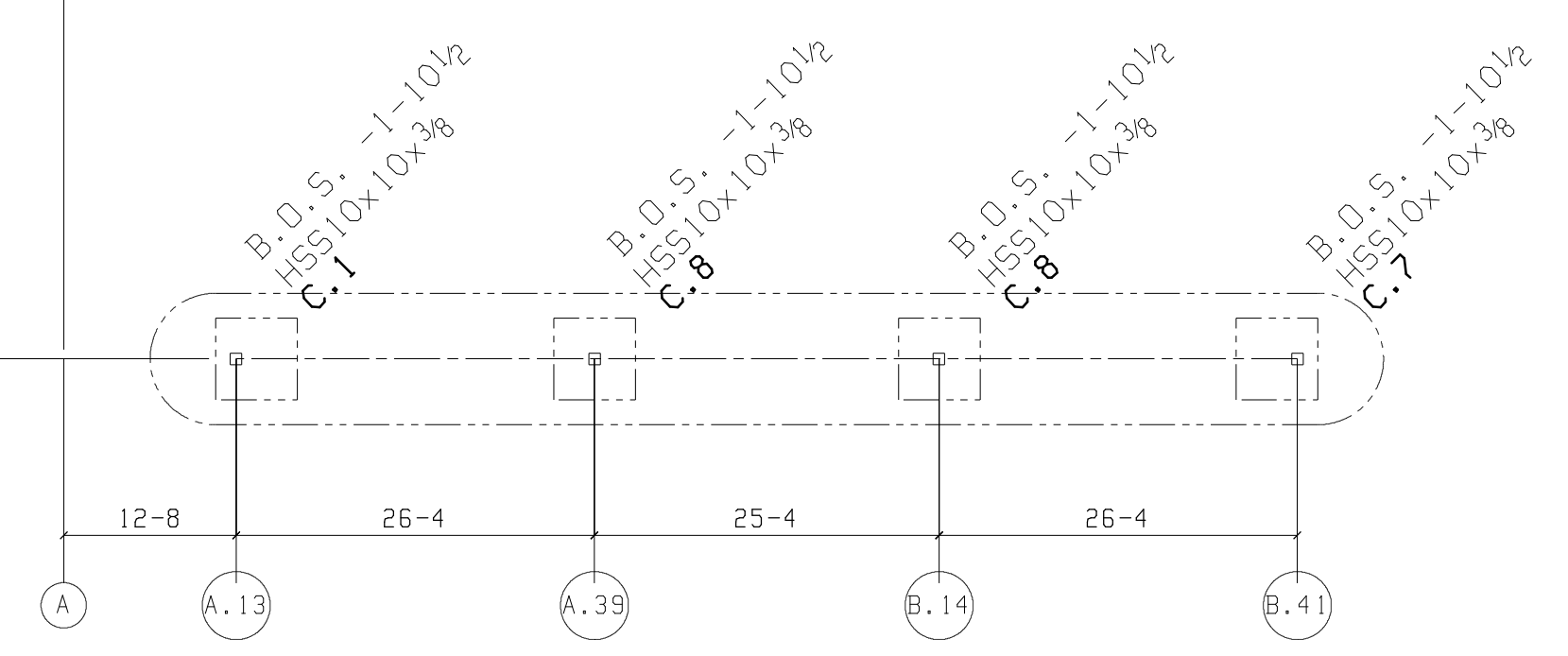
REVISIONS		PROJECT	DATE	BY	CHK
1		LOWE'S			
2		OF PALM DESERT, CA			
3		GRANT GENERAL CONTRACTORS	MAY 16 2005	MP	KB
4					
5		ISOMETRIC			

03:56:05 PM FILE: SIBS\F155



**COLUMN PLACEMENT PLAN**  
B.O.S. -0-10 1/2 (U.N.O.)

NOTES:  
 1. ERECT ALL MEMBER WITH THE MARKED END IN THE SAME RELATIVE POSITION AS SHOWN ON THE ERECTION DRAWING.  
 2. B.O.S. = BOTTOM OF STEEL. ELEVATIONS REFERENCED (xxxx x/x) ARE TOP OF STEEL.  
 3. PLEASE PROVIDE INFORMATION AND VERIFICATIONS INDICATED IN CLOUDED AREAS. CLOUDED NOTES WITH NO REMARKS FROM THE APPROVAL AUTHORITY WILL BE CONSIDERED AS AN AFFIRMATION.



REF:  
  
 DETAILING: FABRICATION TECHNICAL SERVICES, INC.  
 JOB 1182 1839 S. GREENSFERRY RD, COEUR D'ALENE ID 83814  
 (208) 457-8282 fax: (208) 457-8208

**NORTHWEST STEEL FAB**  
 PO Box 113  
 Colbert, WA 99005  
 Ph: (509) 466-8200 Fax: (509) 466-1435

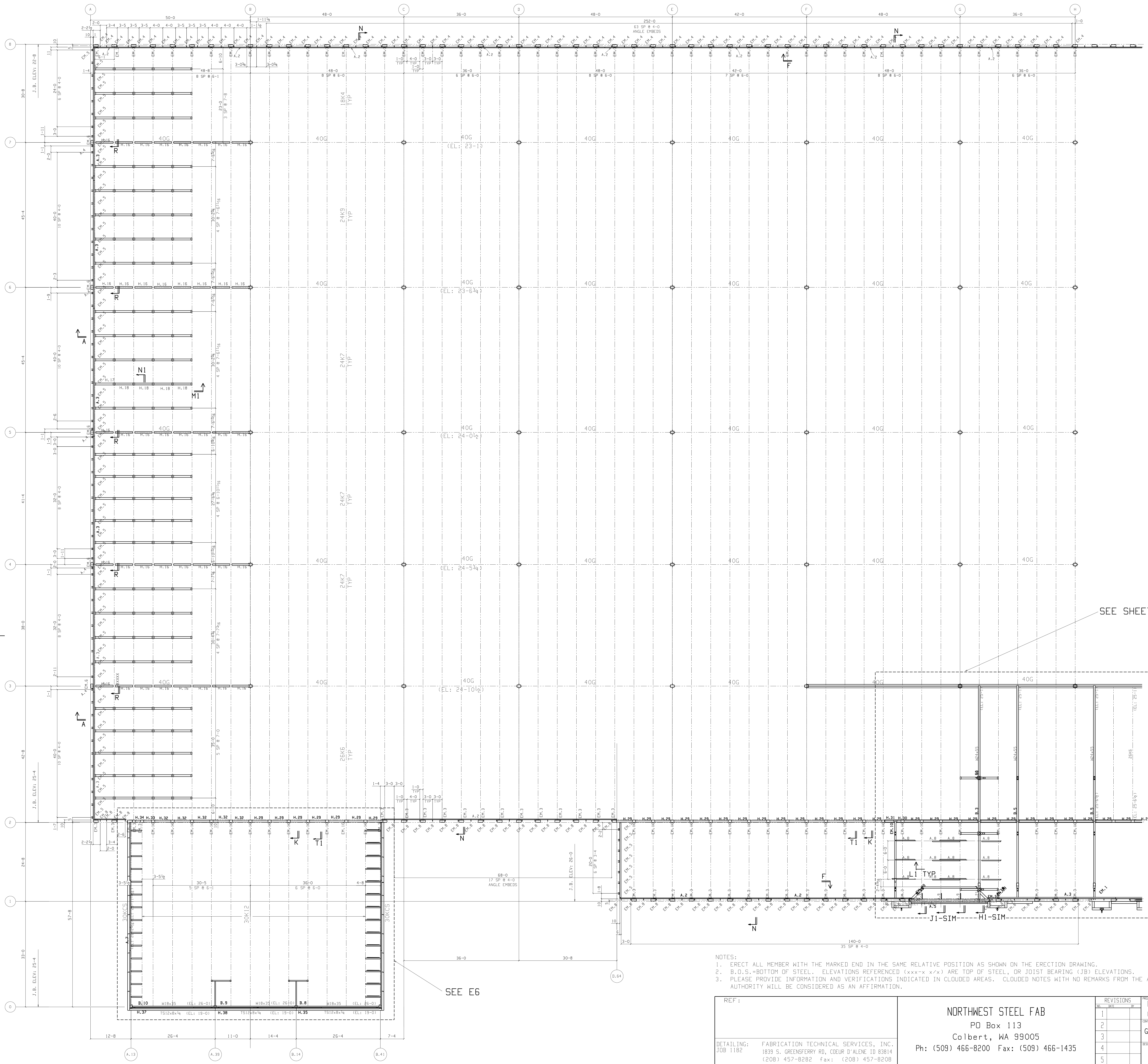
REVISIONS		PROJECT
NO.	DATE	DESCRIPTION
1		
2		
3		
4		
5		

LOWE'S OF PALM DESERT, CA		DATE	MP	OR	KB
GRANT GENERAL CONTRACTORS		DATE	MAY 16 2005		
DESCRIPTION		NO.	901		
COLUMN PLACEMENT PLAN		SCALE	E1		

03:54:32 PM FILE: L\_SBS57F55



FRAMING PLAN AREA A-H  
Elevation: 26-0 (U.N.O.)



- NOTES:
1. ERECT ALL MEMBER WITH THE MARKED END IN THE SAME RELATIVE POSITION AS SHOWN ON THE ERECTION DRAWING.
  2. B.O.S.=BOTTOM OF STEEL. ELEVATIONS REFERENCED (xxx-x xxx) ARE TOP OF STEEL, OR JOIST BEARING (JB) ELEVATIONS.
  3. PLEASE PROVIDE INFORMATION AND VERIFICATIONS INDICATED IN CLOUDED AREAS. CLOUDED NOTES WITH NO REMARKS FROM THE APPROVAL AUTHORITY WILL BE CONSIDERED AS AN AFFIRMATION.

REF:

DETAILING: FABRICATION TECHNICAL SERVICES, INC.  
JOB 1182 1839 S. GREENFERRY RD, COEUR D'ALENE ID 83814  
(208) 457-8282 fax: (208) 457-8208

NORTHWEST STEEL FAB  
PO Box 113  
Colbert, WA 99005  
Ph: (509) 466-8200 Fax: (509) 466-1435

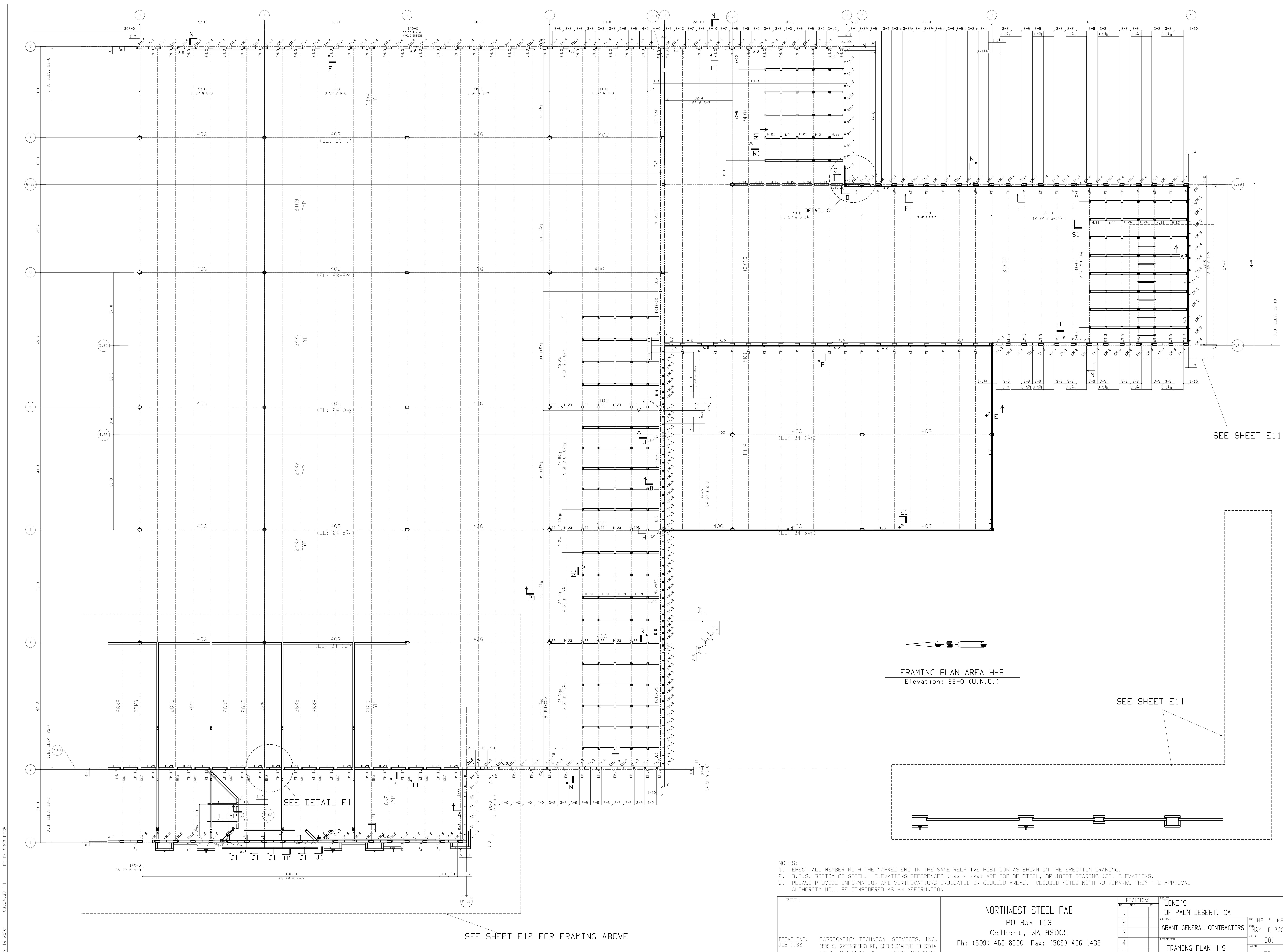
REVISIONS		PROJECT	
NO.	DATE	BY	CHK
1			
2			
3			
4			
5			

LOWE'S  
OF PALM DESERT, CA

GRANT GENERAL CONTRACTORS  
MAY 16 2005

FRAMING PLAN  
A-H

901  
E2



SEE SHEET E11

SEE SHEET E11

FRAMING PLAN AREA H-S  
Elevation: 26'-0" (U.N.O.)

- NOTES:
1. ERECT ALL MEMBER WITH THE MARKED END IN THE SAME RELATIVE POSITION AS SHOWN ON THE ERECTION DRAWING.
  2. B.O.S.=BOTTOM OF STEEL. ELEVATIONS REFERENCED (xxxx-x'x") ARE TOP OF STEEL, OR JOIST BEARING (JB) ELEVATIONS.
  3. PLEASE PROVIDE INFORMATION AND VERIFICATIONS INDICATED IN CLOUDED AREAS. CLOUDED NOTES WITH NO REMARKS FROM THE APPROVAL AUTHORITY WILL BE CONSIDERED AS AN AFFIRMATION.

REF: NORTHWEST STEEL FAB  
PO Box 113  
Colbert, WA 99005  
Ph: (509) 466-8200 Fax: (509) 466-1435

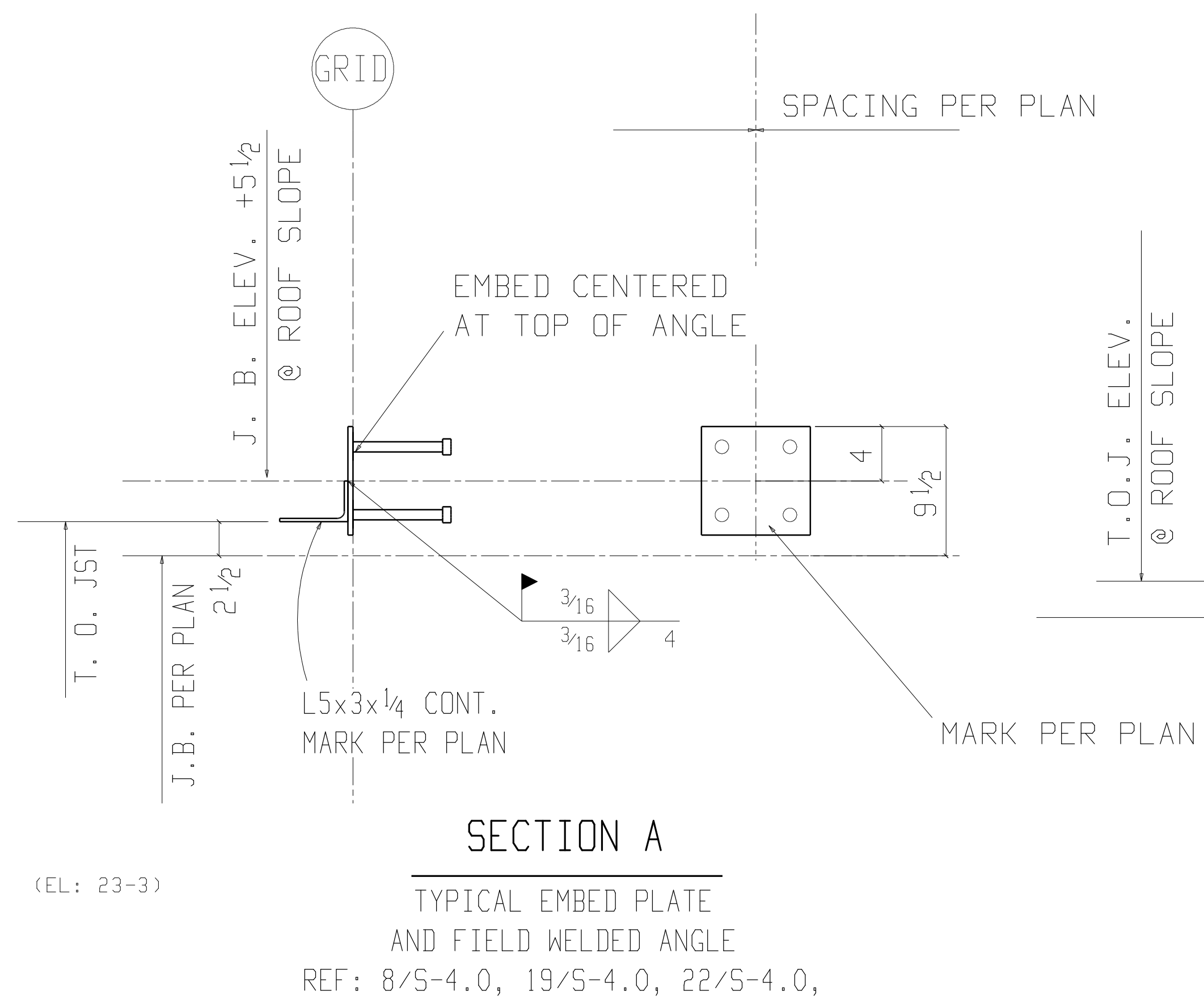
DETAILING: FABRICATION TECHNICAL SERVICES, INC.  
JOB 1182 1839 S. GREENSFERRY RD, COEUR D'ALENE ID 83814  
(208) 457-8282 fax: (208) 457-8208

REVISIONS

NO.	DATE	DESCRIPTION
1		
2		
3		
4		
5		

PROJECT: LOWE'S OF PALM DESERT, CA  
CONTRACTOR: GRANT GENERAL CONTRACTORS  
DATE: MAY 16 2005  
JOB NO: 901  
SCALE: E3

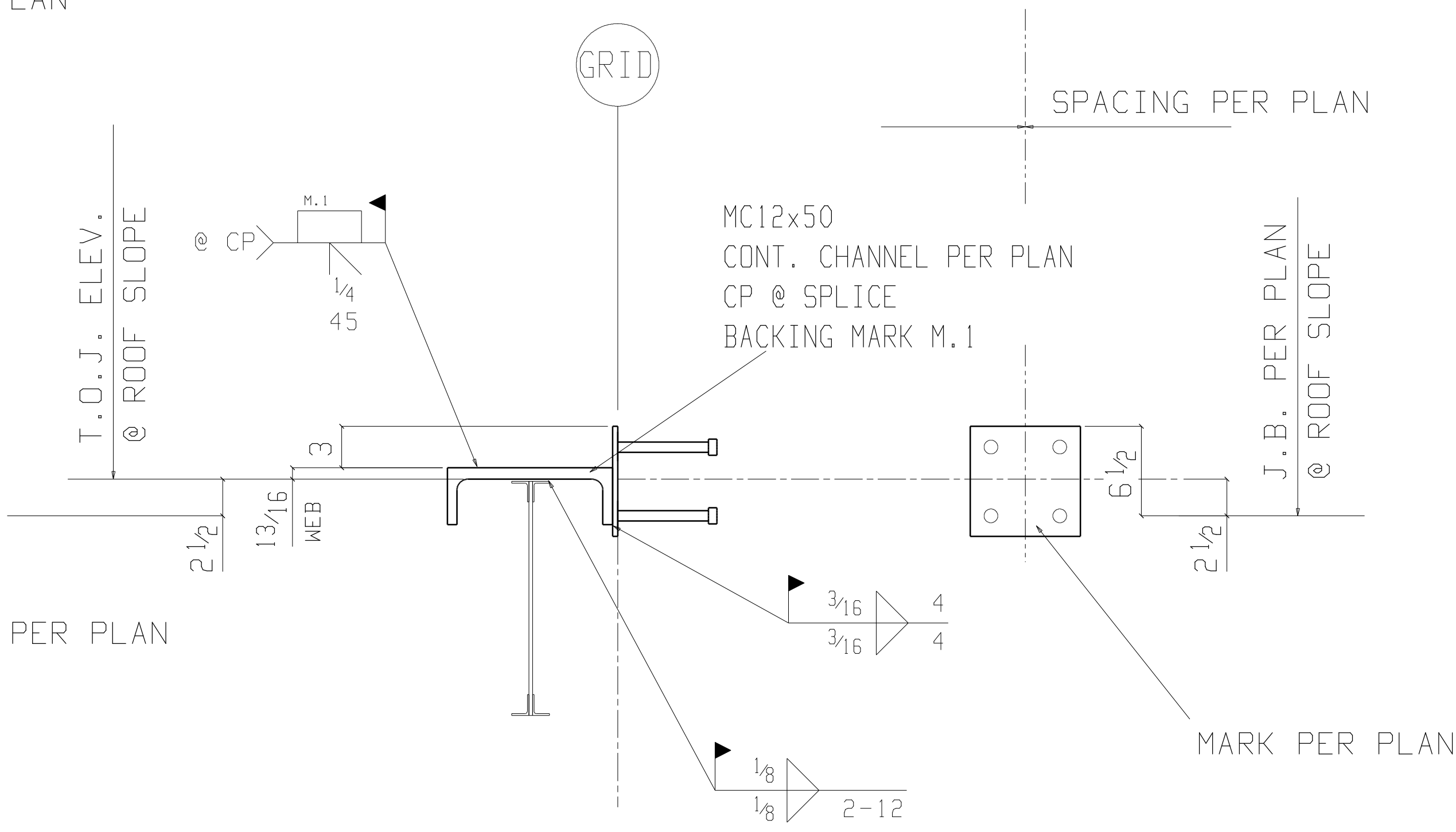
SEE SHEET E12 FOR FRAMING ABOVE



**SECTION A**

TYPICAL EMBED PLATE AND FIELD WELDED ANGLE

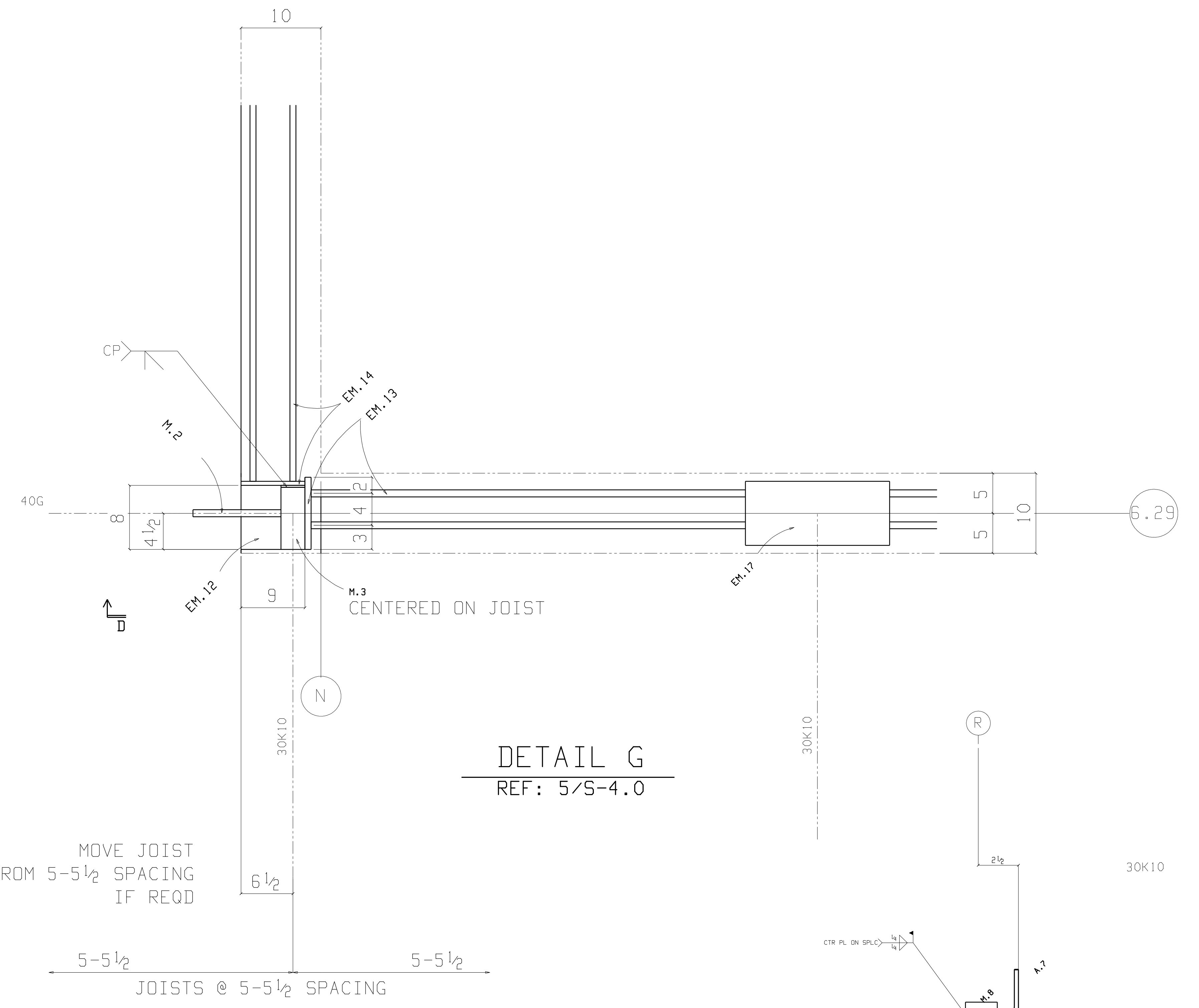
REF: 8/S-4.0, 19/S-4.0, 22/S-4.0,



**SECTION B**

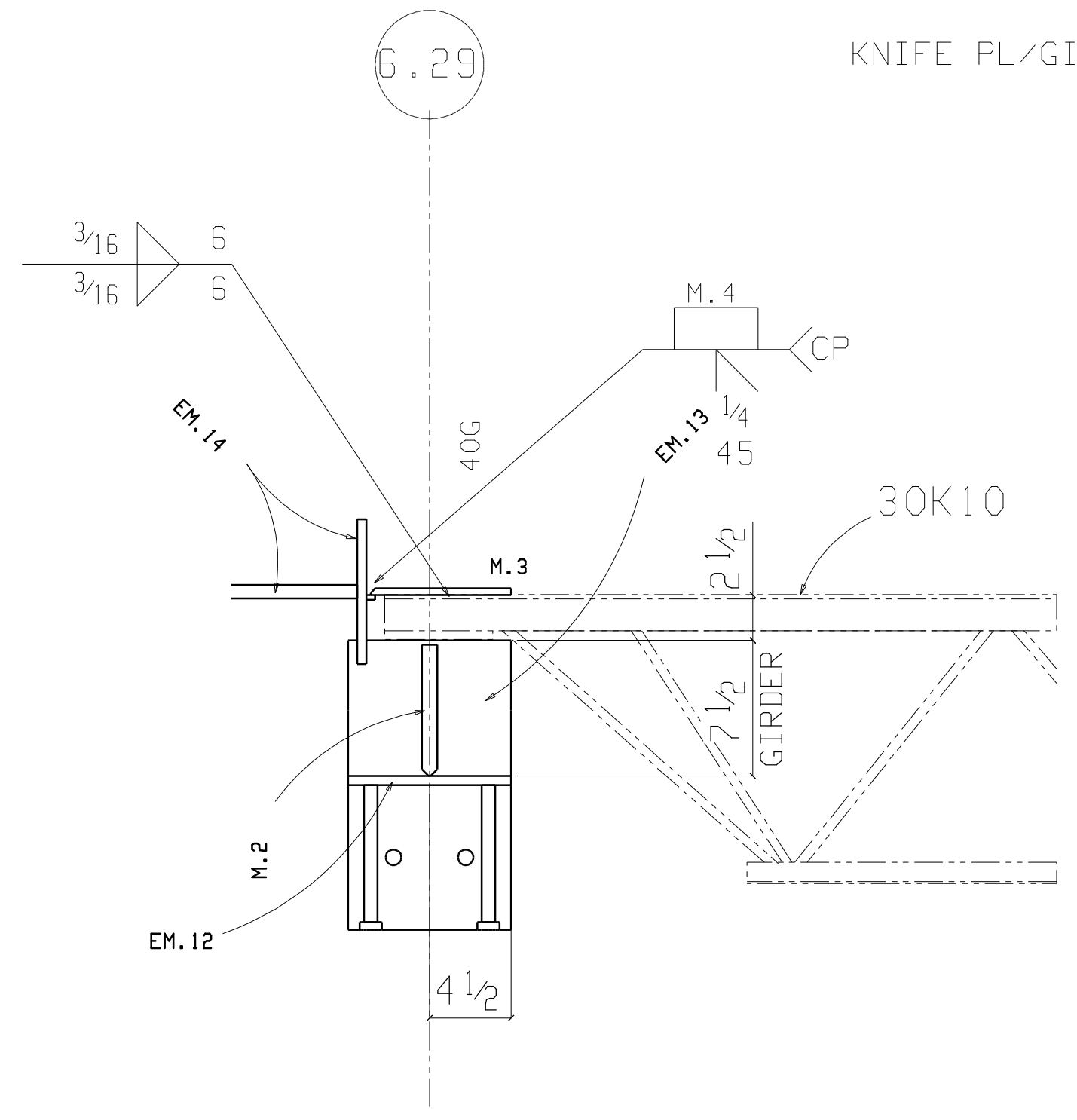
TYPICAL EMBED PLATE AND FIELD WELDED CHANNEL

REF: 16/S-4.0, 18/S-4.0, 20/S-4.0, 26/S-4.0, 5-2



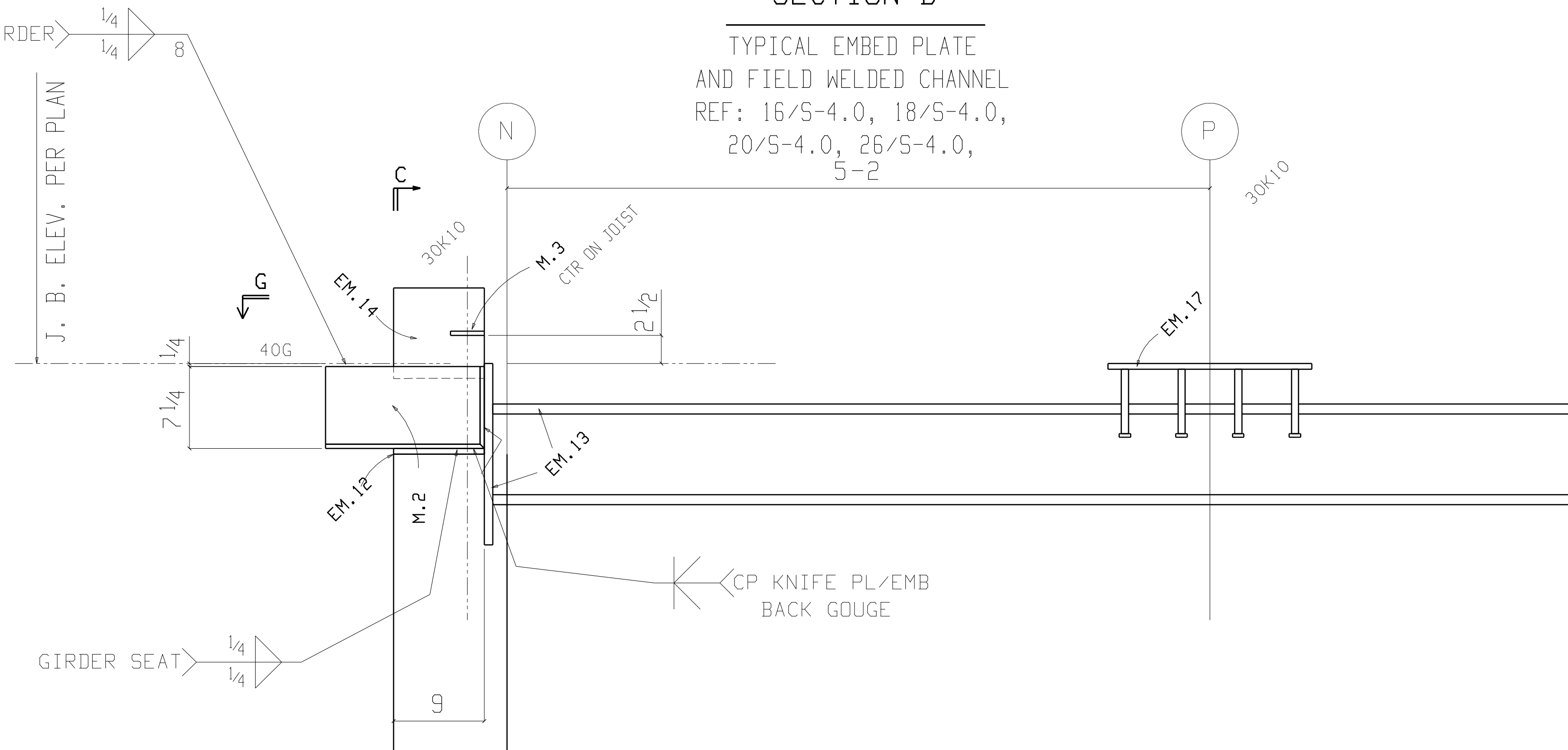
**DETAIL G**

REF: 5/S-4.0



**SECTION C**

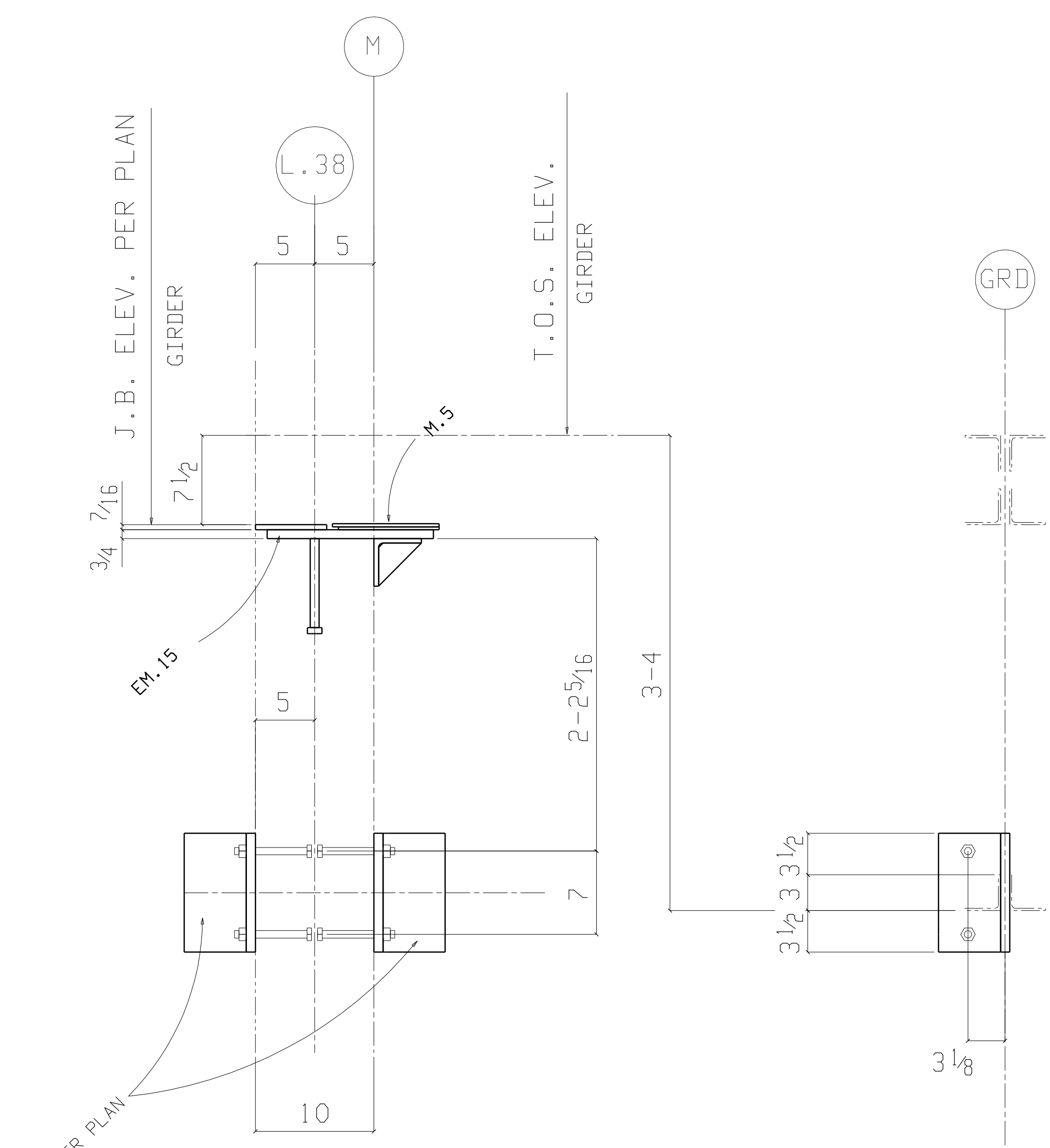
REF: 5/S-4.0, 21/S-4.0



**SECTION D**

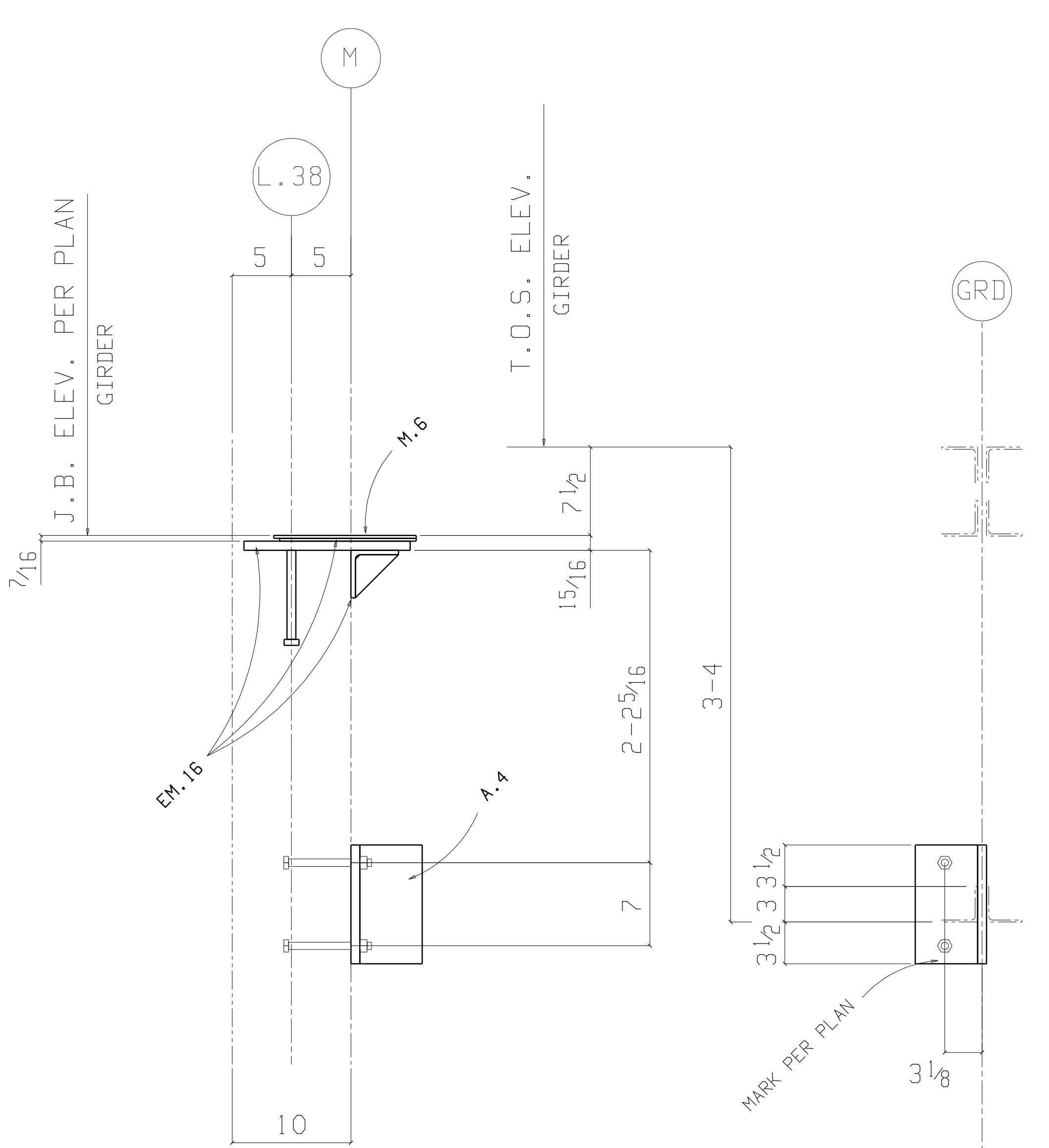
REF: 21/S-4.0

**SECTION E**  
6/A4.0



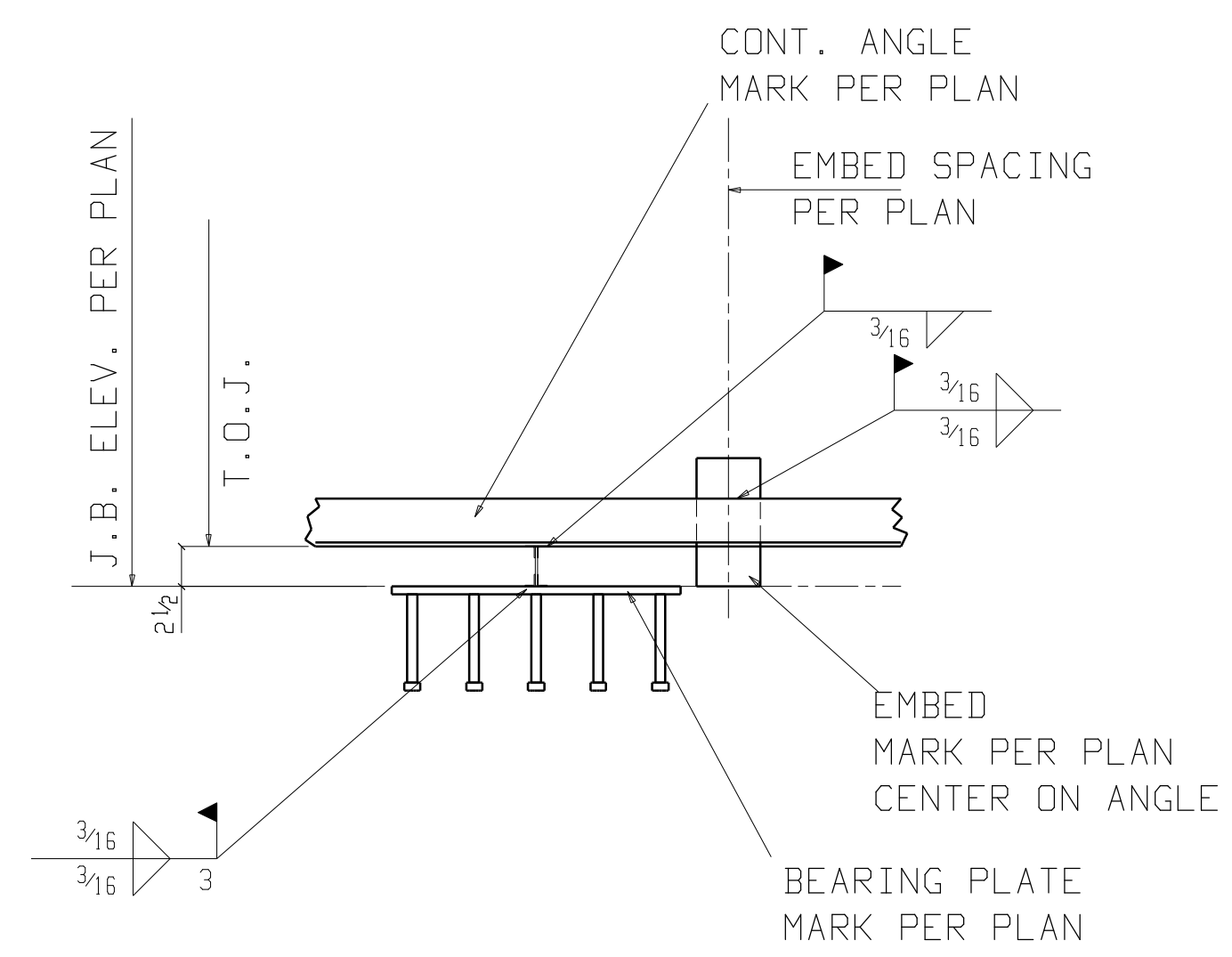
**SECTION H**

REF: 6/S-4.1



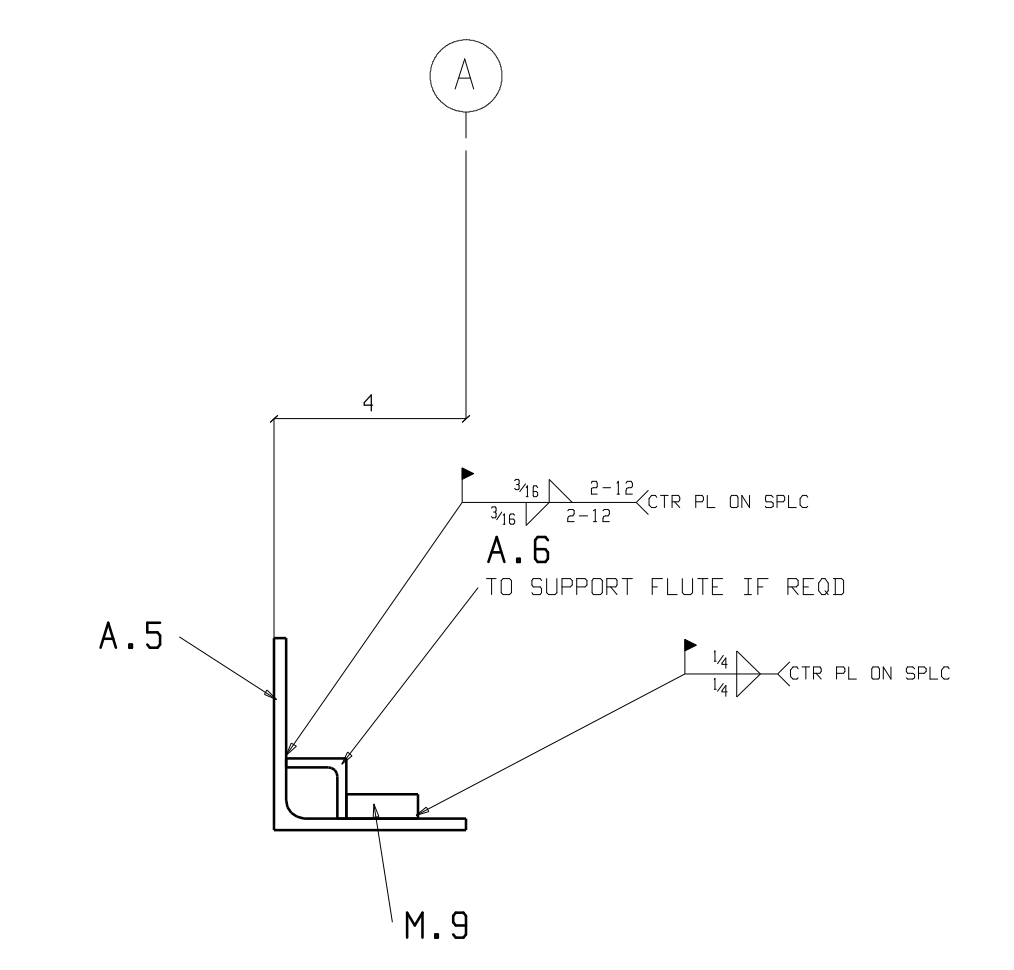
**SECTION J**

REF: 2/S-4.0



**SECTION F**

REF: 4,4A/S-4.0



**SECTION E1**

6/S4.0

03/14/11 PM FILE: SIBS5/7155

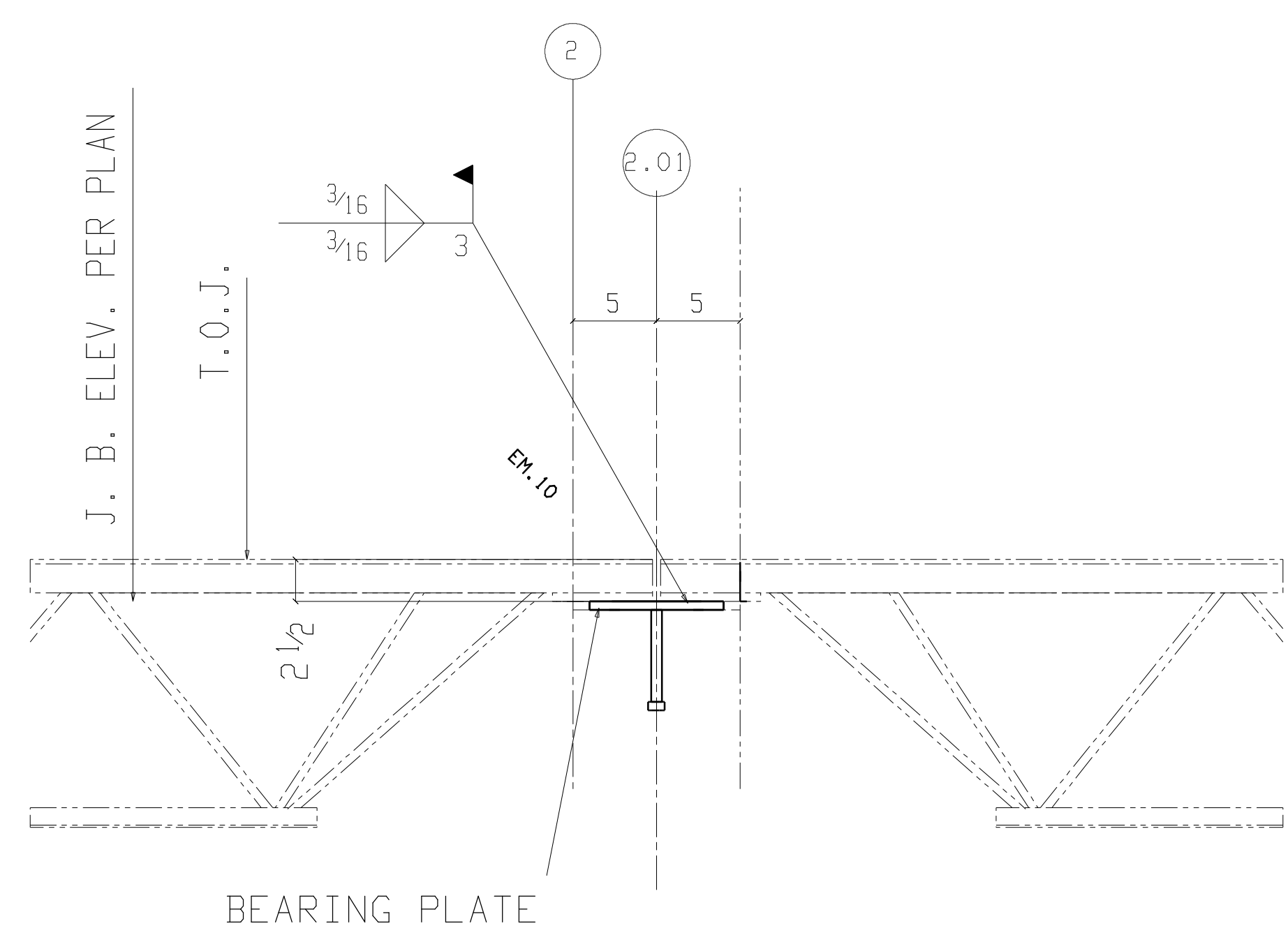
NOTES:  
 1. ERECT ALL MEMBER WITH THE MARKED END IN THE SAME RELATIVE POSITION AS SHOWN ON THE ERECTION DRAWING.  
 2. B.O.S.=BOTTOM OF STEEL. ELEVATIONS REFERENCED (xxx-x/x) ARE TOP OF STEEL.  
 3. PLEASE PROVIDE INFORMATION AND VERIFICATIONS INDICATED IN CLOUDED AREAS. CLOUDED NOTES WITH NO REMARKS FROM THE APPROVAL AUTHORITY WILL BE CONSIDERED AS AN AFFIRMATION.

REF:	
DETAILING:	FABRICATION TECHNICAL SERVICES, INC. JOB 1182 1839 S. GREENSFERRY RD, COEUR D'ALENE ID 83814 (208) 457-8282 fax: (208) 457-8208

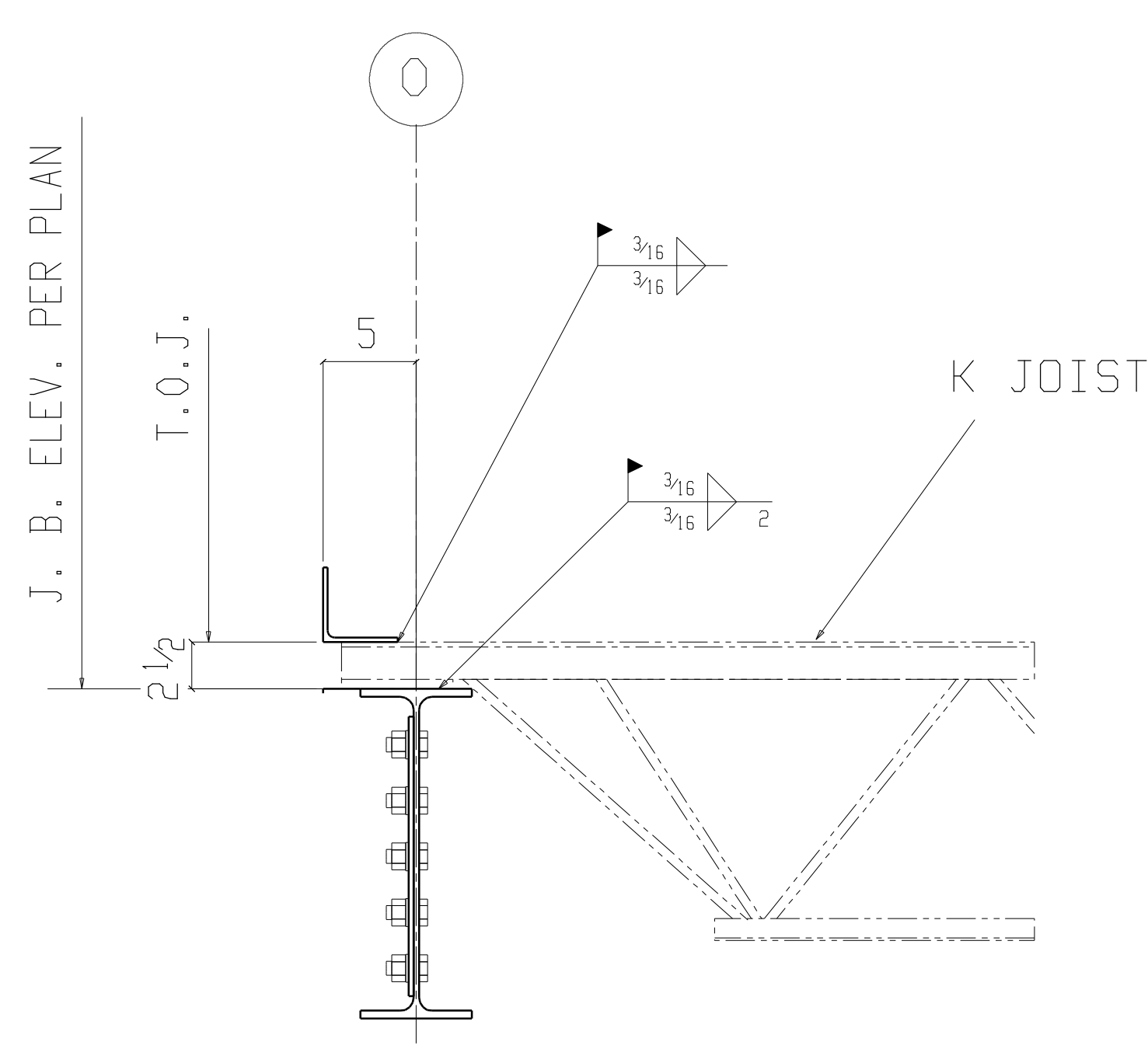
**NORTHWEST STEEL FAB**  
 PO Box 113  
 Colbert, WA 99005  
 Ph: (509) 466-8200 Fax: (509) 466-1435

NO.	DATE	DESCRIPTION	BY	CHK	APP
1					
2					
3					
4					
5					

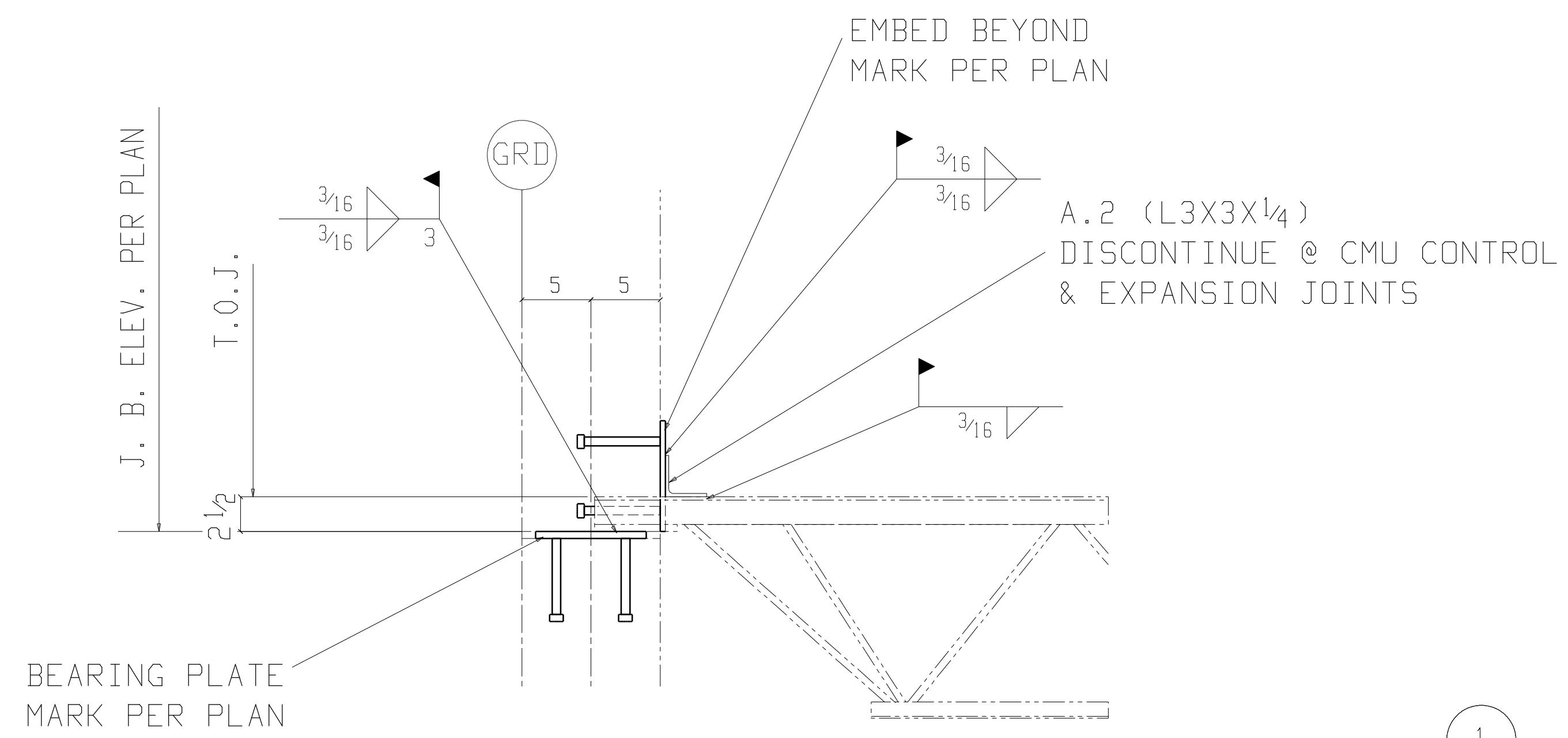
PROJECT: **LOWE'S OF PALM DESERT, CA**  
 CONTRACTOR: **GRANT GENERAL CONTRACTORS**  
 DATE: **MAY 16 2005**  
 DRAWING NO: **901**  
 SHEET NO: **E4**



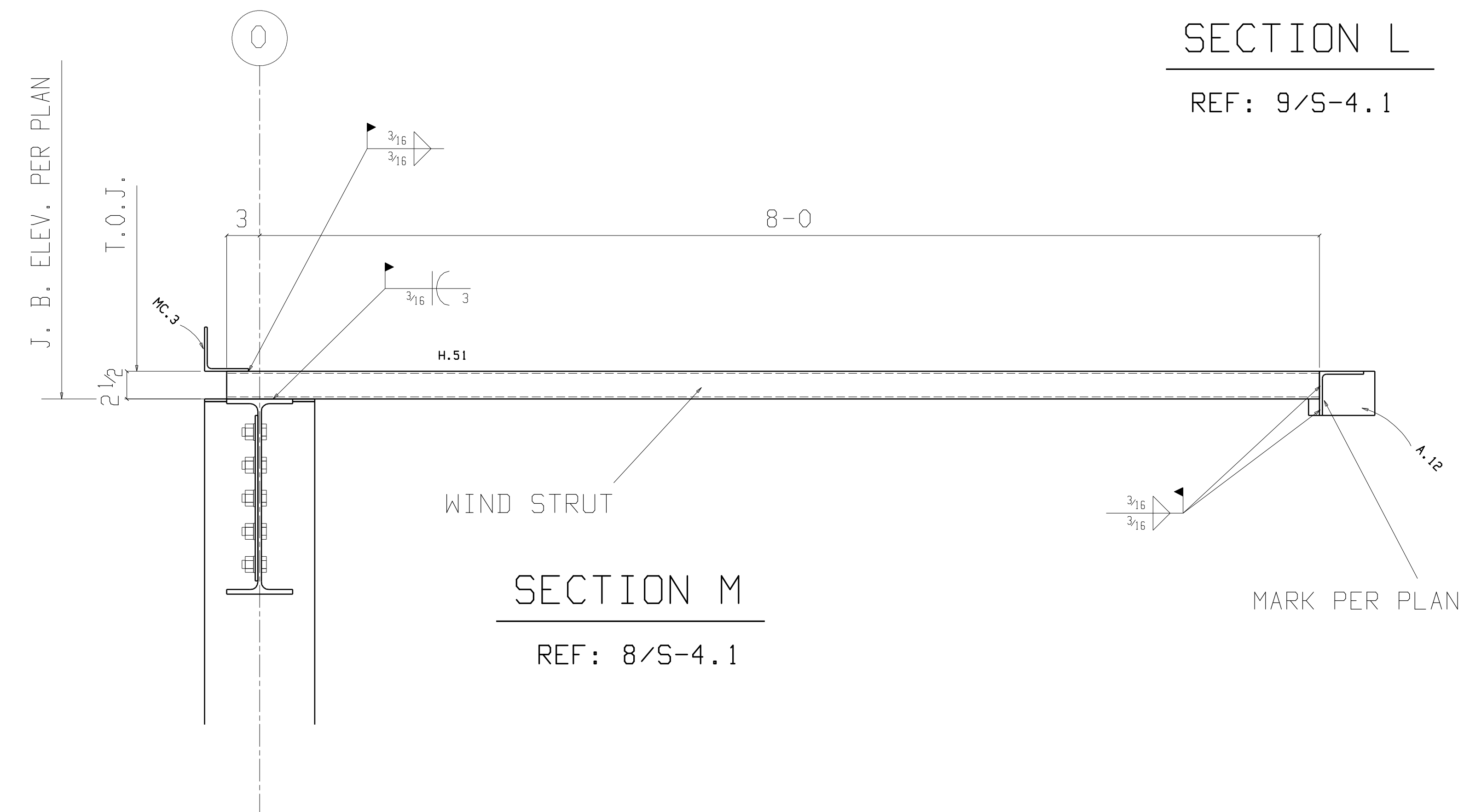
**SECTION K**  
REF: 10/S-4.0



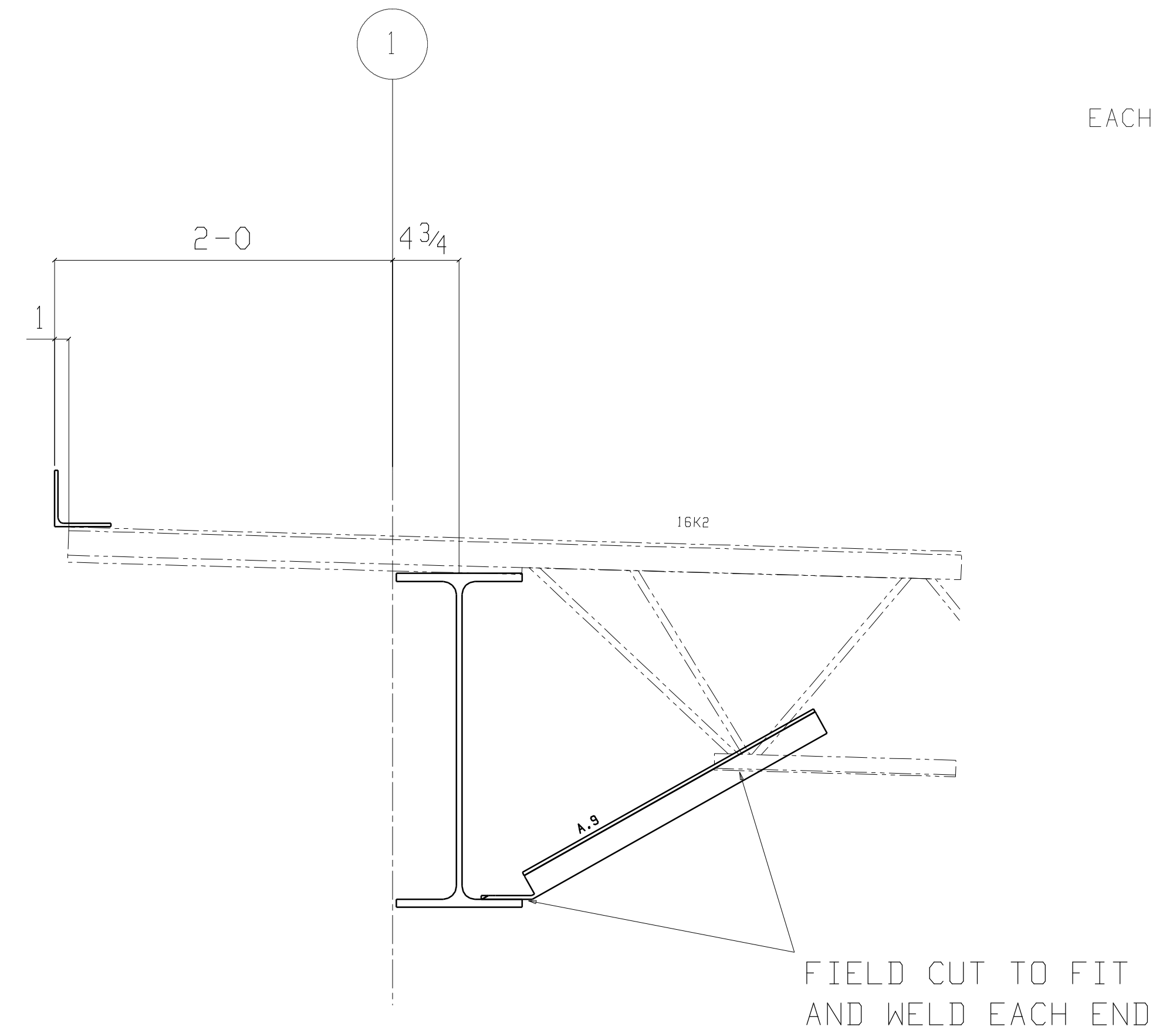
**SECTION L**  
REF: 9/S-4.1



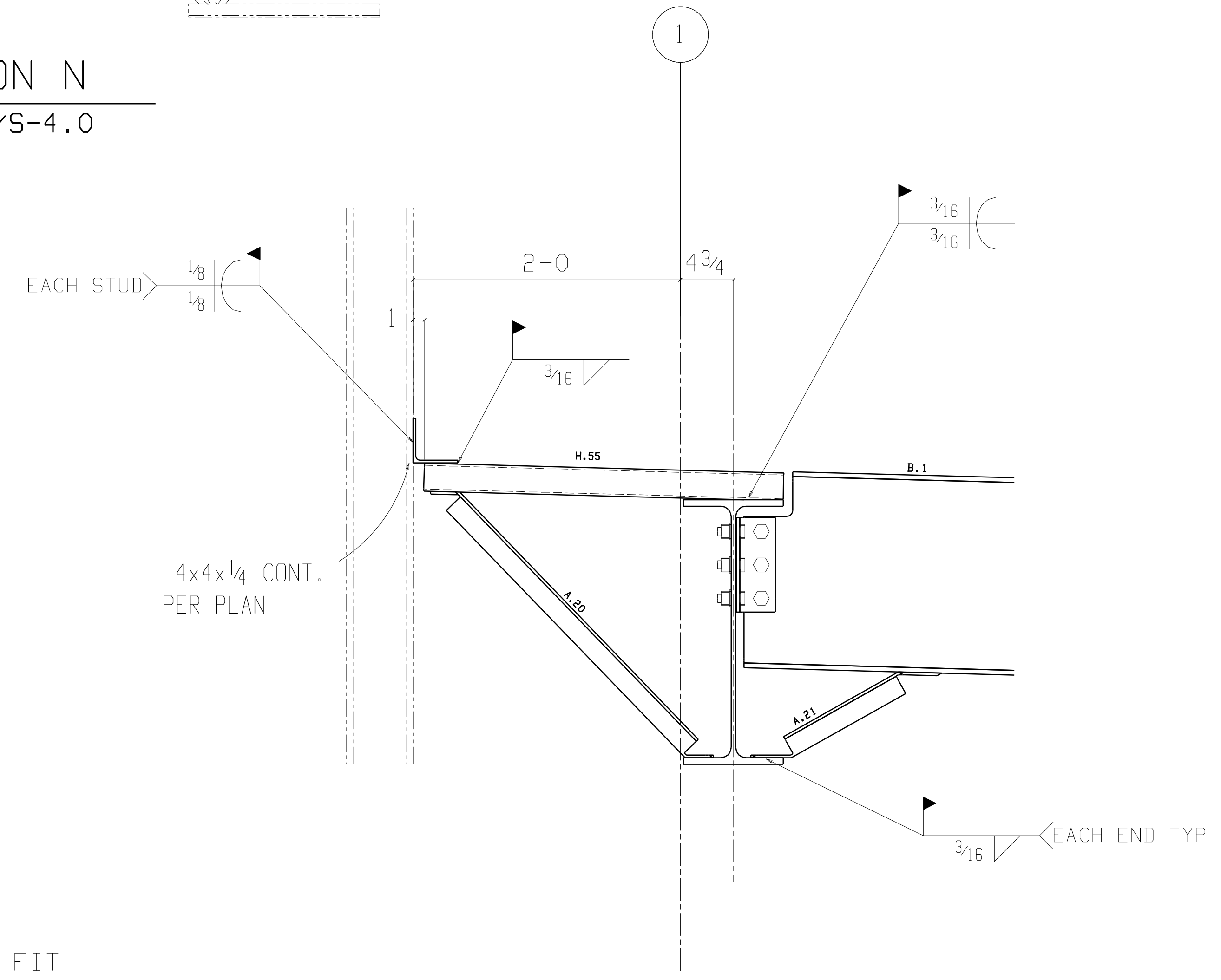
**SECTION N**  
REF: 4, 4A/S-4.0



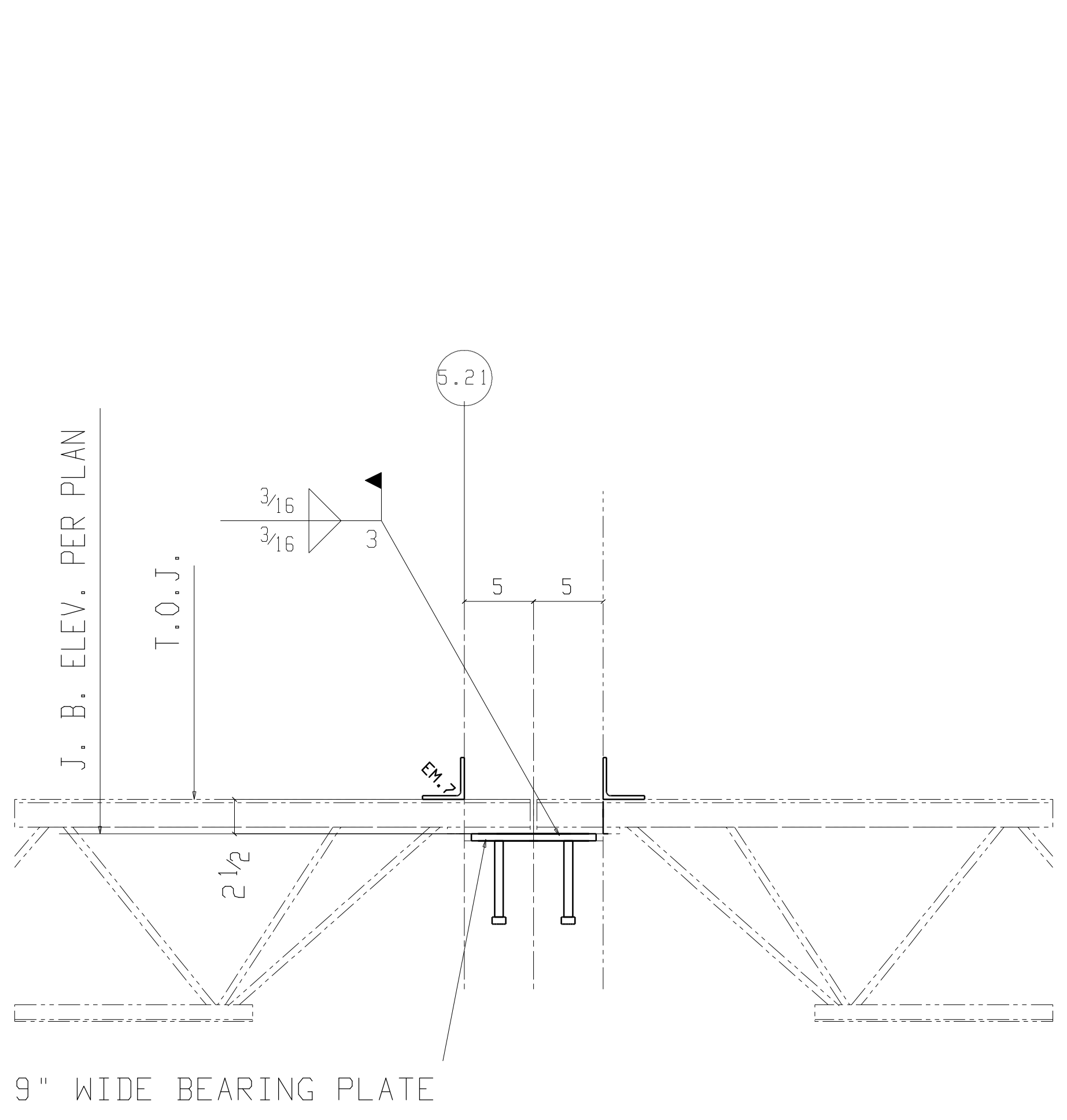
**SECTION M**  
REF: 8/S-4.1



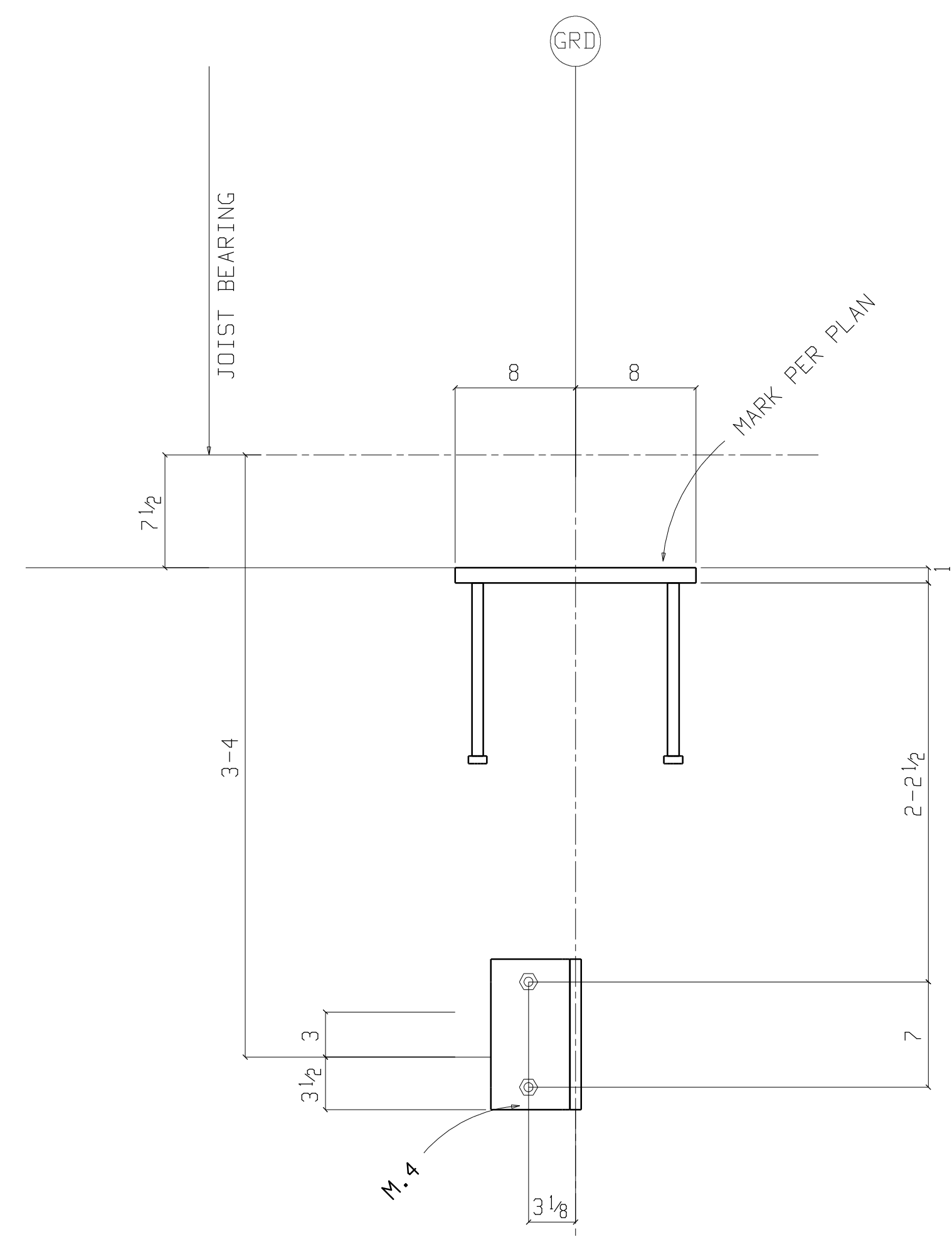
**SECTION J1**  
11/S-4.3



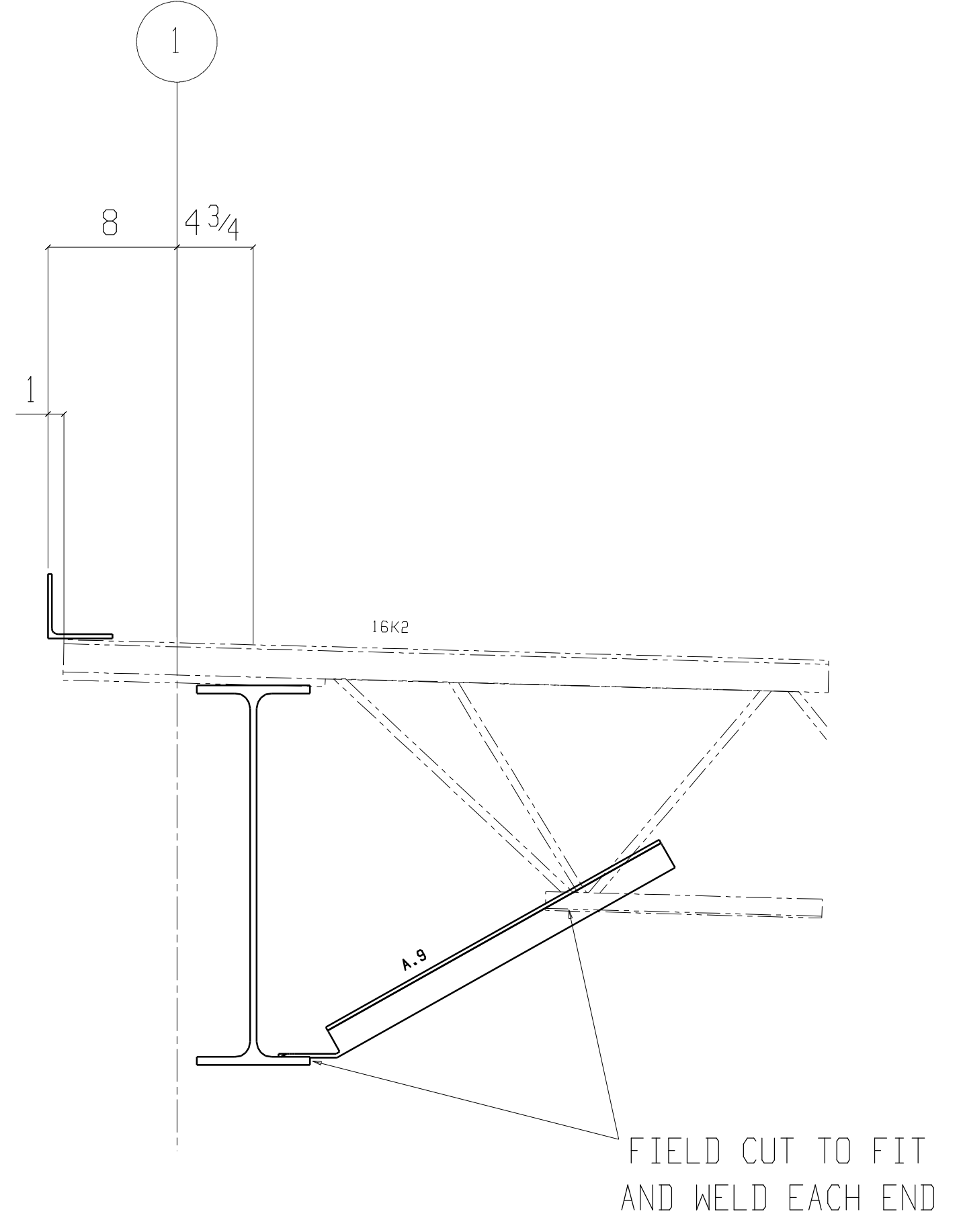
**SECTION H1**  
REF: 10/S-4, 4/S-4.3



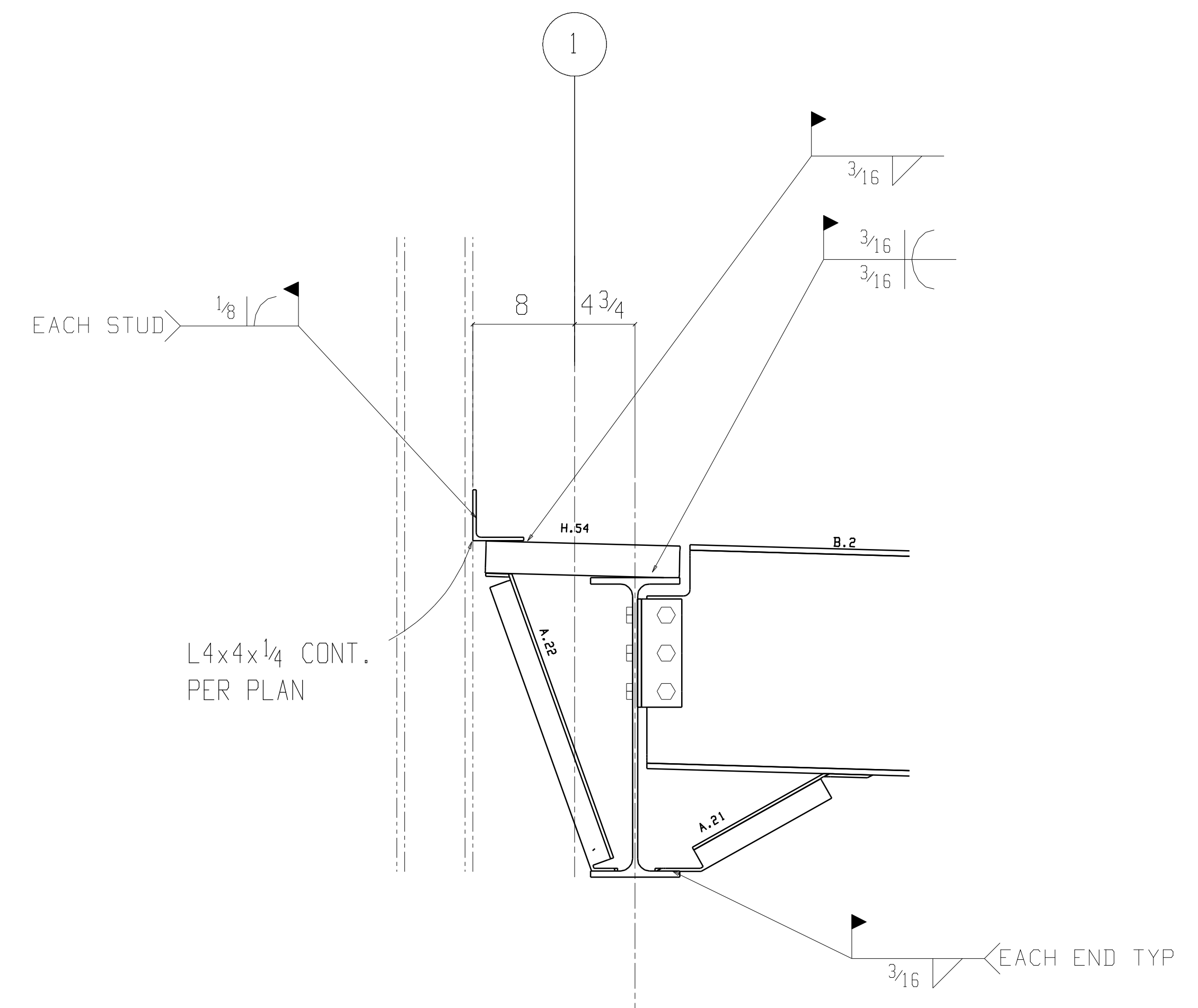
**SECTION P**  
REF: 10/S-4.0



**SECTION R**



**SECTION J1-SIM**  
REF: 9/S-4.3



**SECTION H1-SIM**  
REF: 10/S-4.3

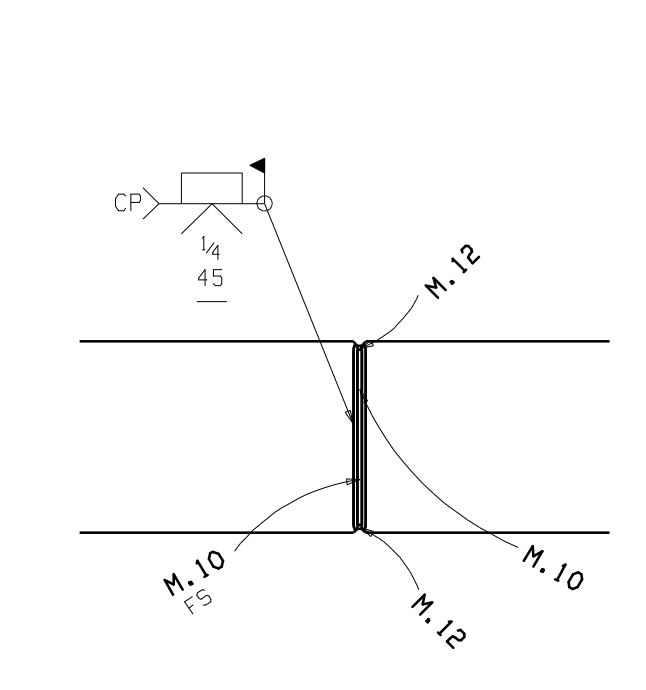
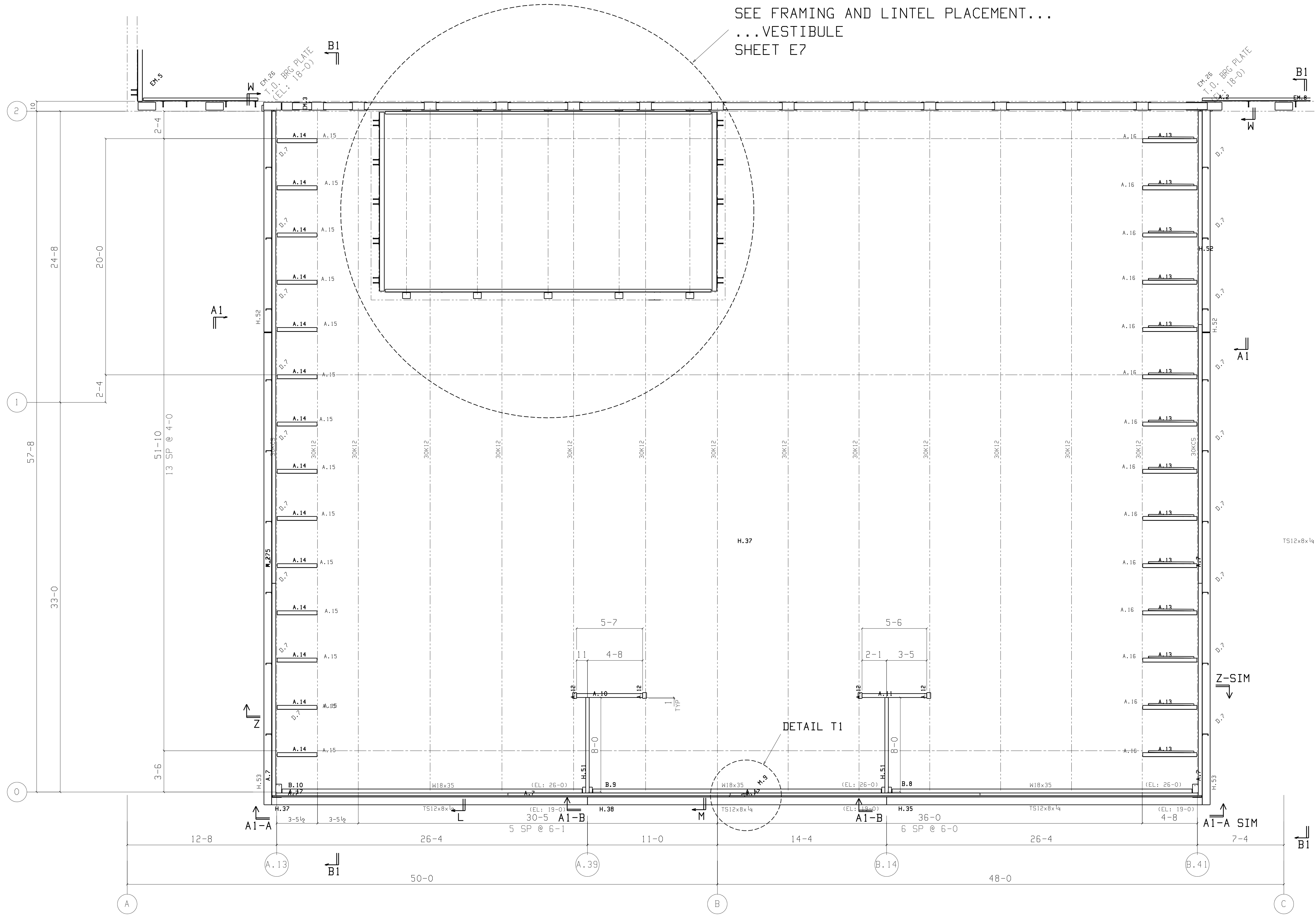
NOTES:  
 1. ERECT ALL MEMBER WITH THE MARKED END IN THE SAME RELATIVE POSITION AS SHOWN ON THE ERECTION DRAWING.  
 2. B.O.S.=BOTTOM OF STEEL. ELEVATIONS REFERENCED (xxx-x'x'x) ARE TOP OF STEEL.  
 3. PLEASE PROVIDE INFORMATION AND VERIFICATIONS INDICATED IN CLOUDED AREAS. CLOUDED NOTES WITH NO REMARKS FROM THE APPROVAL AUTHORITY WILL BE CONSIDERED AS AN AFFIRMATION.

REF:  
 NORTHWEST STEEL FAB  
 PO Box 113  
 Colbert, WA 99005  
 Ph: (509) 466-8200 Fax: (509) 466-1435

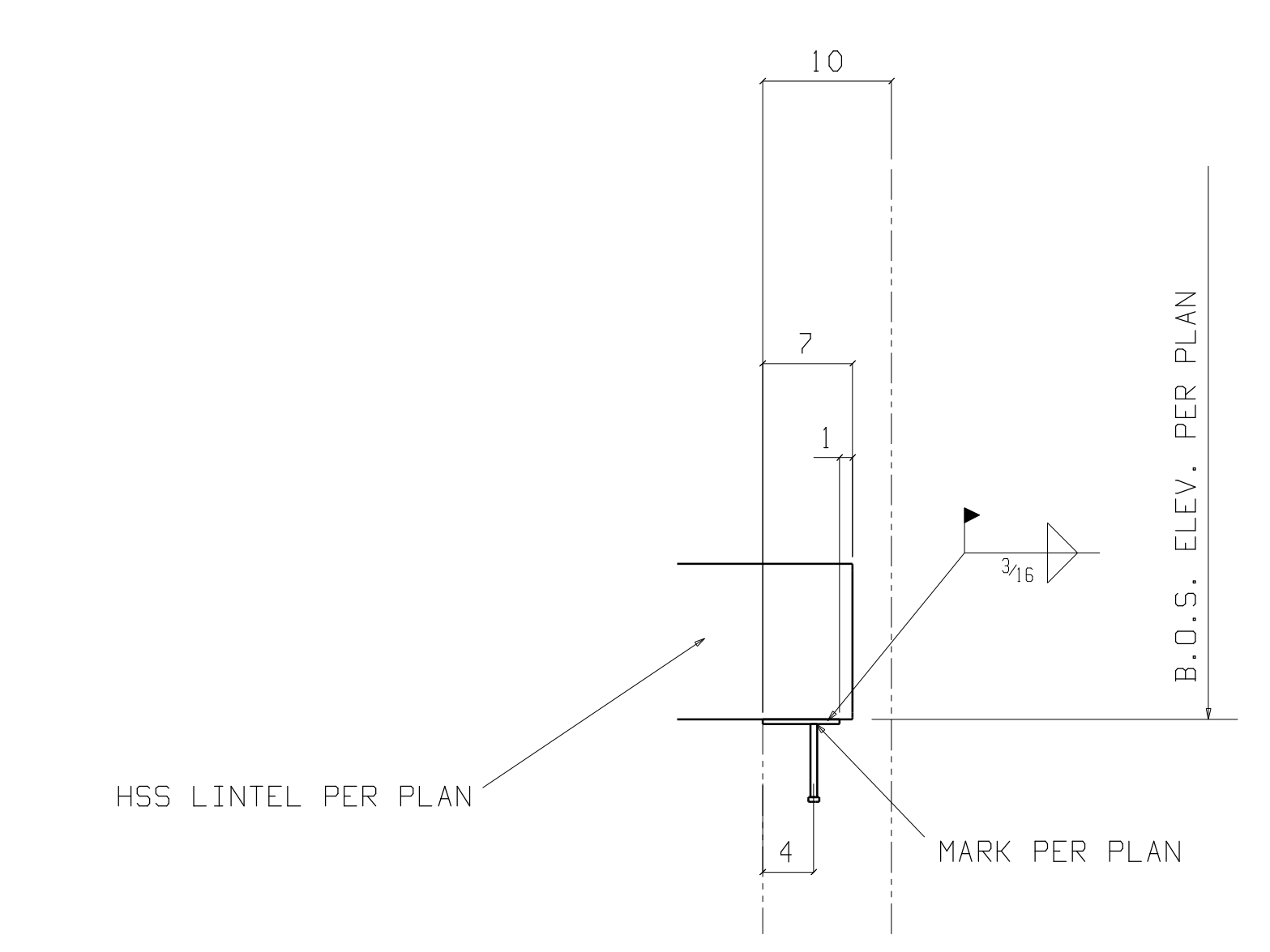
REVISIONS  
 1  
 2  
 3  
 4  
 5

LOWE'S  
 OF PALM DESERT, CA  
 GRANT GENERAL CONTRACTORS  
 MAY 16 2005  
 901  
 E5

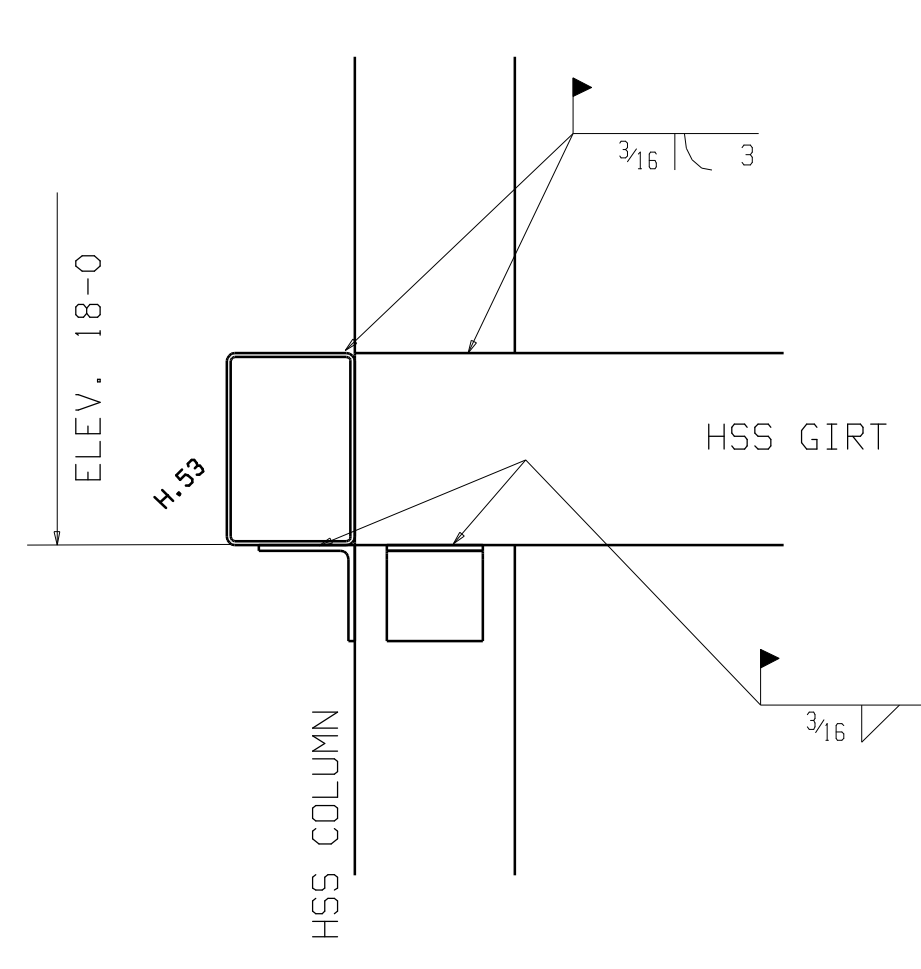
03/15/05 09:54:34 PM FILE: SIBB/AT/ES



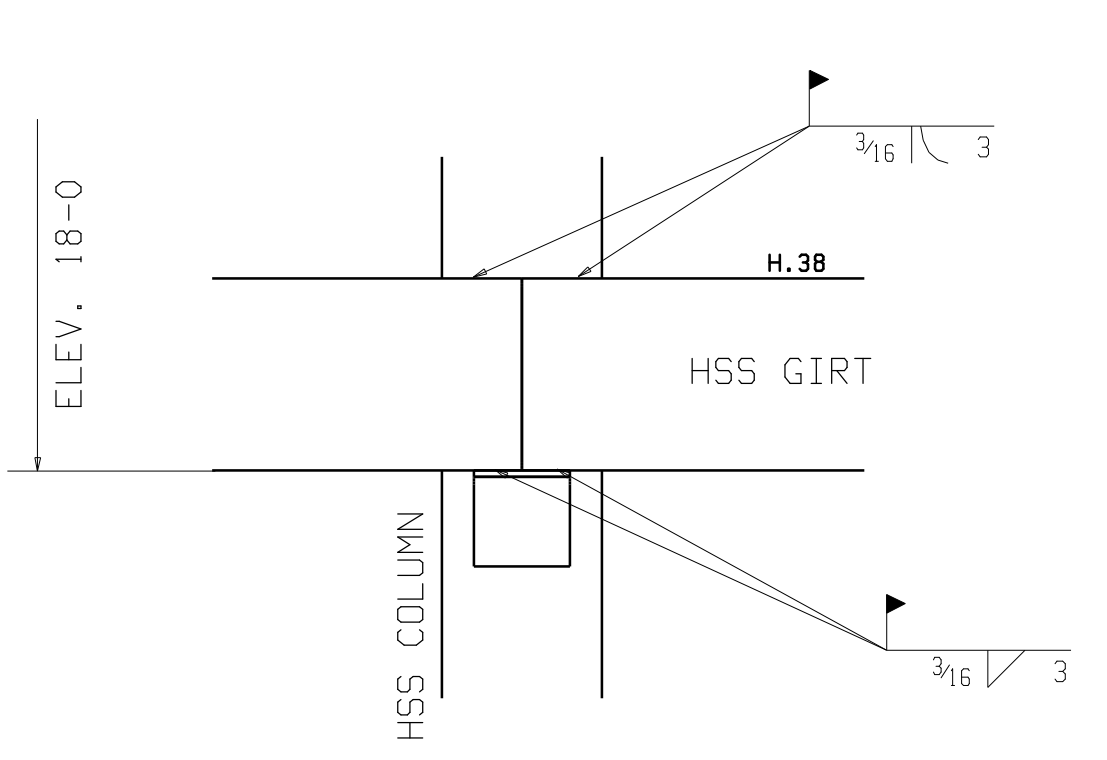
SECTION A1  
REF: 13/S-4.1



SECTION C1  
REF: 3/S, 7/S-4.1

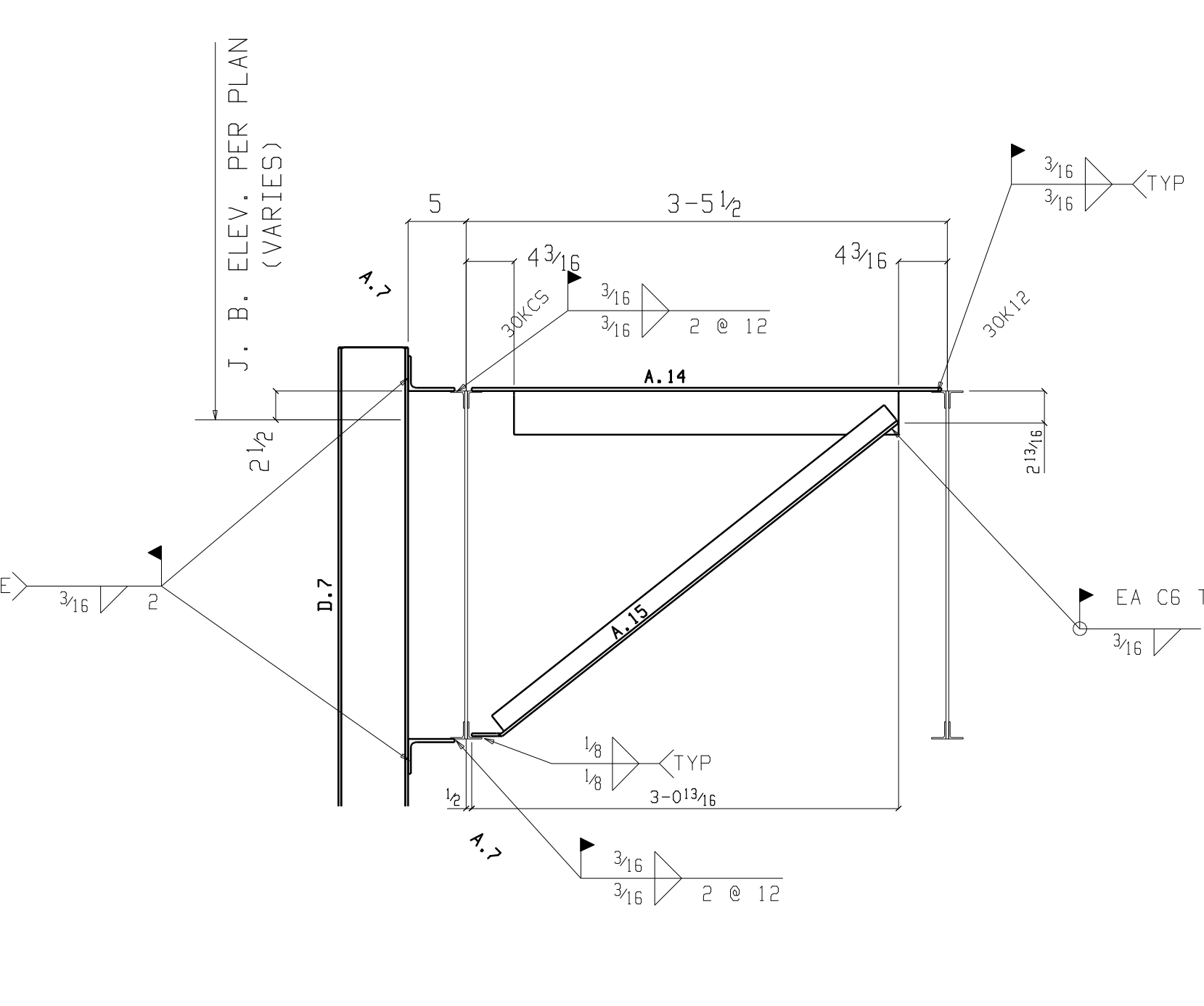


SECTION A1-A  
REF: 13/S-4.1

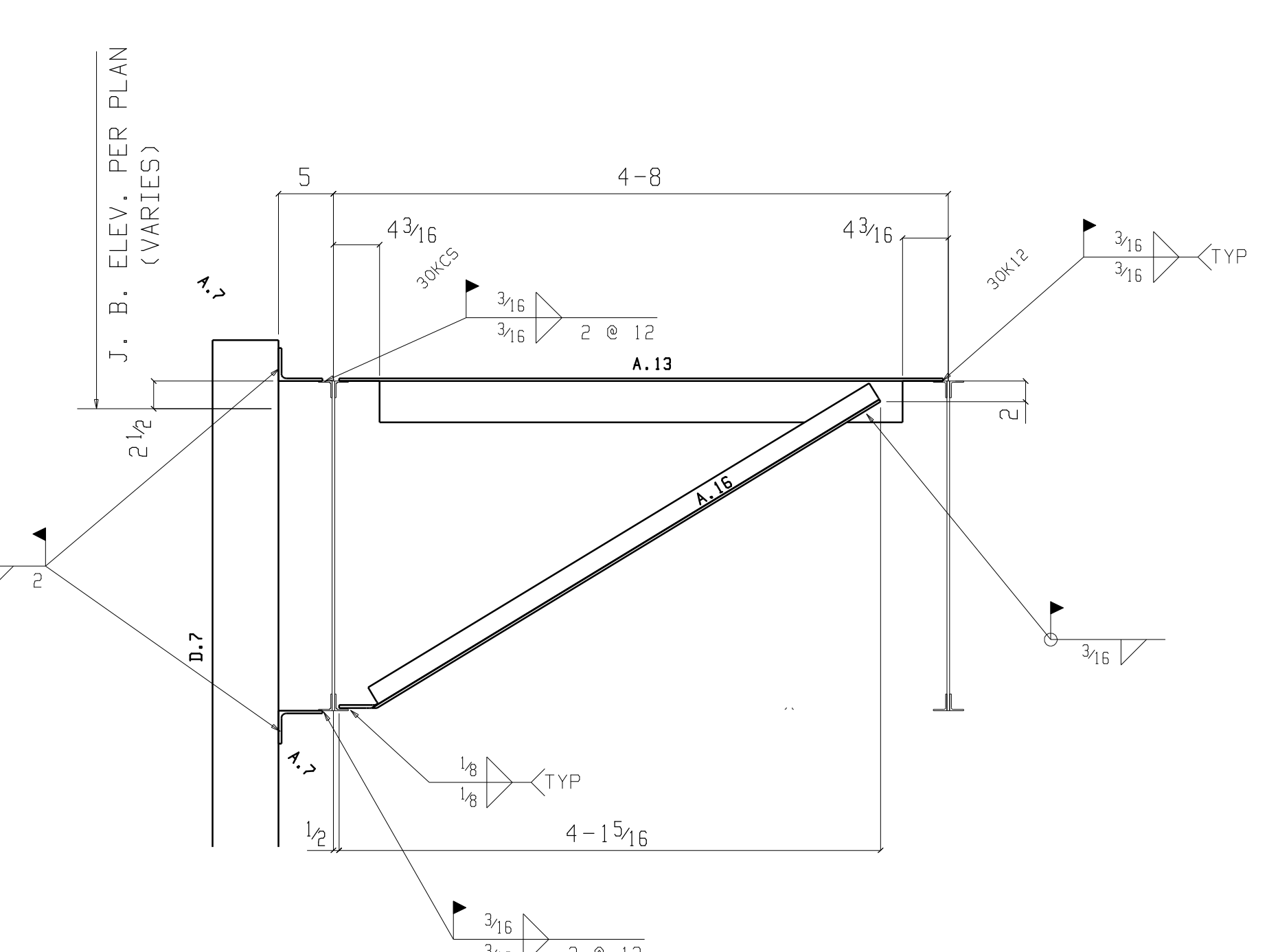


SECTION A1-B  
REF: 13/S-1.4

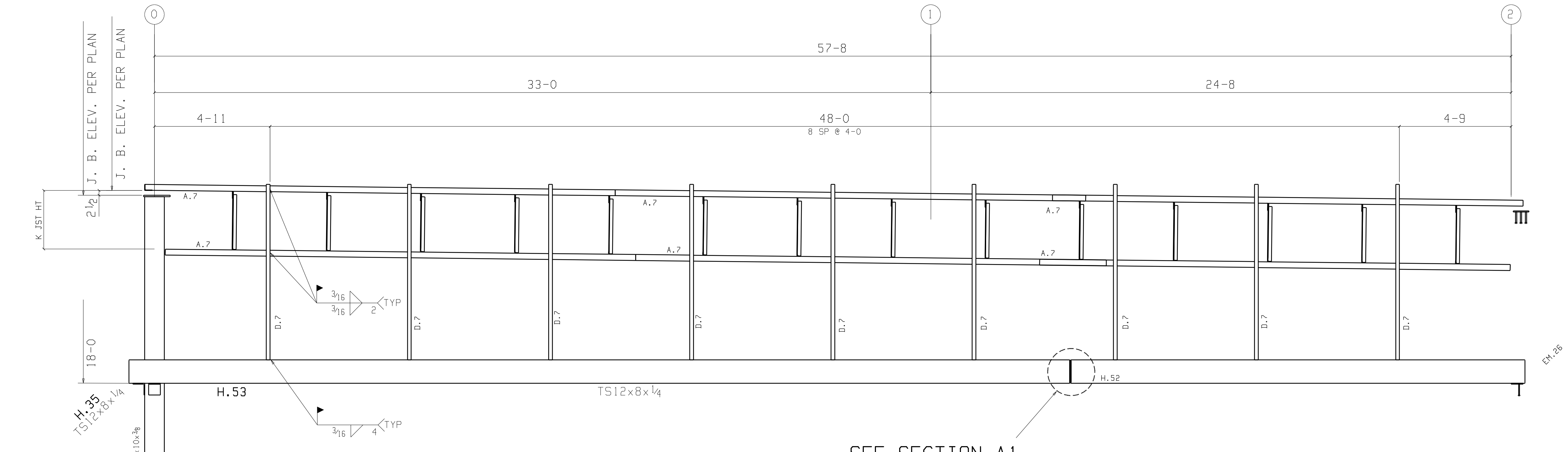
FRAMING PLAN DRIVE THRU  
Elevation: 26-6 (U.N.O.)



SECTION Z  
REF: 7/S-4.1



SECTION Z-SIM  
REF: 7/S-4.1



DETAIL B1  
REF: 13/S-4.1

NOTES:  
1. ERECT ALL MEMBER WITH THE MARKED END IN THE SAME RELATIVE POSITION AS SHOWN ON THE ERECTION DRAWING.  
2. B.O.S.=BOTTOM OF STEEL. ELEVATIONS REFERENCED (xxx-x x/x) ARE TOP OF STEEL.  
3. PLEASE PROVIDE INFORMATION AND VERIFICATIONS INDICATED IN CLOUDED AREAS. CLOUDED NOTES WITH NO REMARKS FROM THE APPROVAL AUTHORITY WILL BE CONSIDERED AS AN AFFIRMATION.

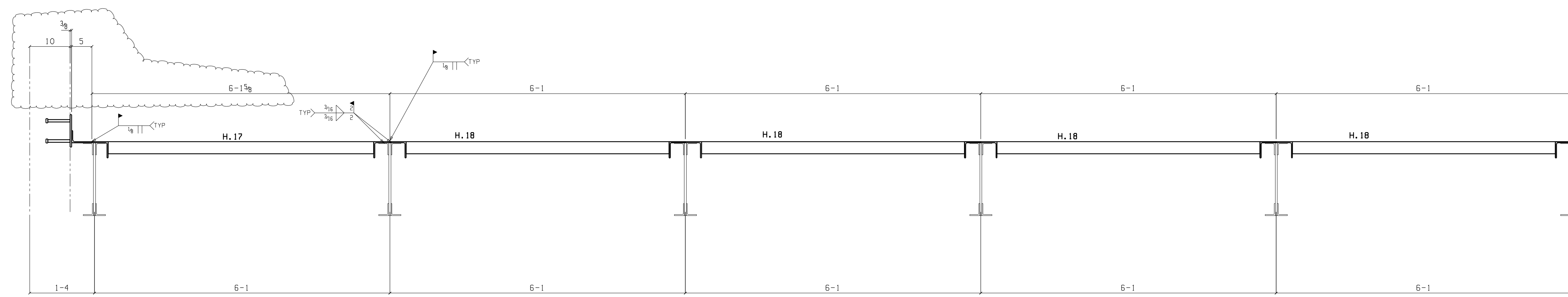
REF:  
DETAILING: FABRICATION TECHNICAL SERVICES, INC.  
JOB 1182 1839 S. GREENFERRY RD, COEUR D'ALENE ID 83814  
(208) 457-8282 fax: (208) 457-8208

NORTHWEST STEEL FAB  
PO Box 113  
Colbert, WA 99005  
Ph: (509) 466-8200 Fax: (509) 466-1435

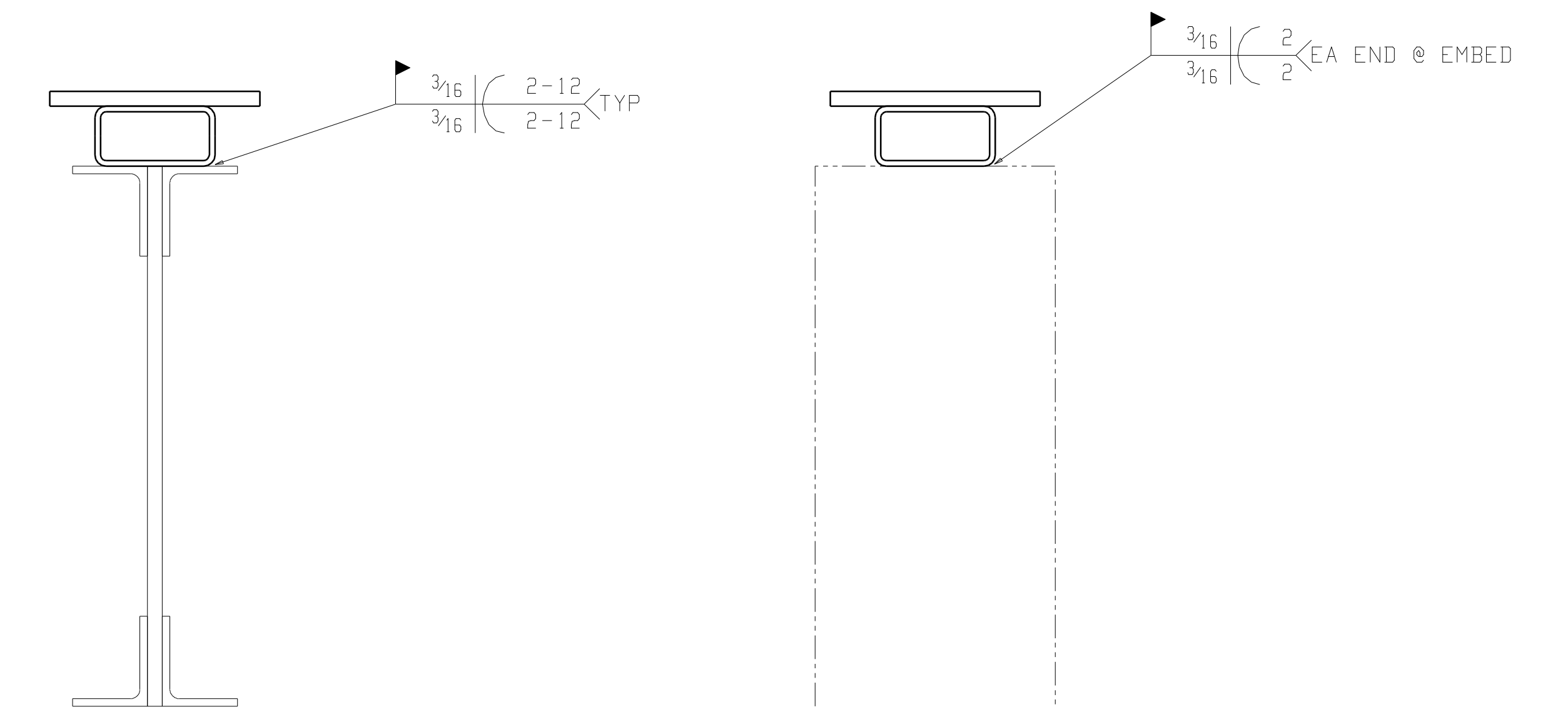
NO.	DATE	BY	REVISIONS
1			
2			
3			
4			
5			

LOWE'S OF PALM DESERT, CA  
CONTRACTOR  
GRANT GENERAL CONTRACTORS  
MAY 16 2005  
DESCRIPTION  
DRIVE THRU FRAMING  
E6



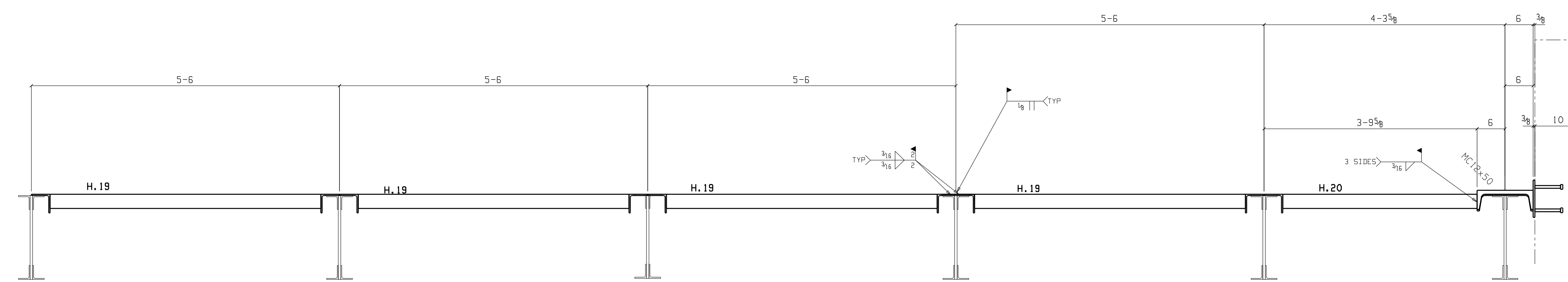


SECTION M1  
22/S4.0

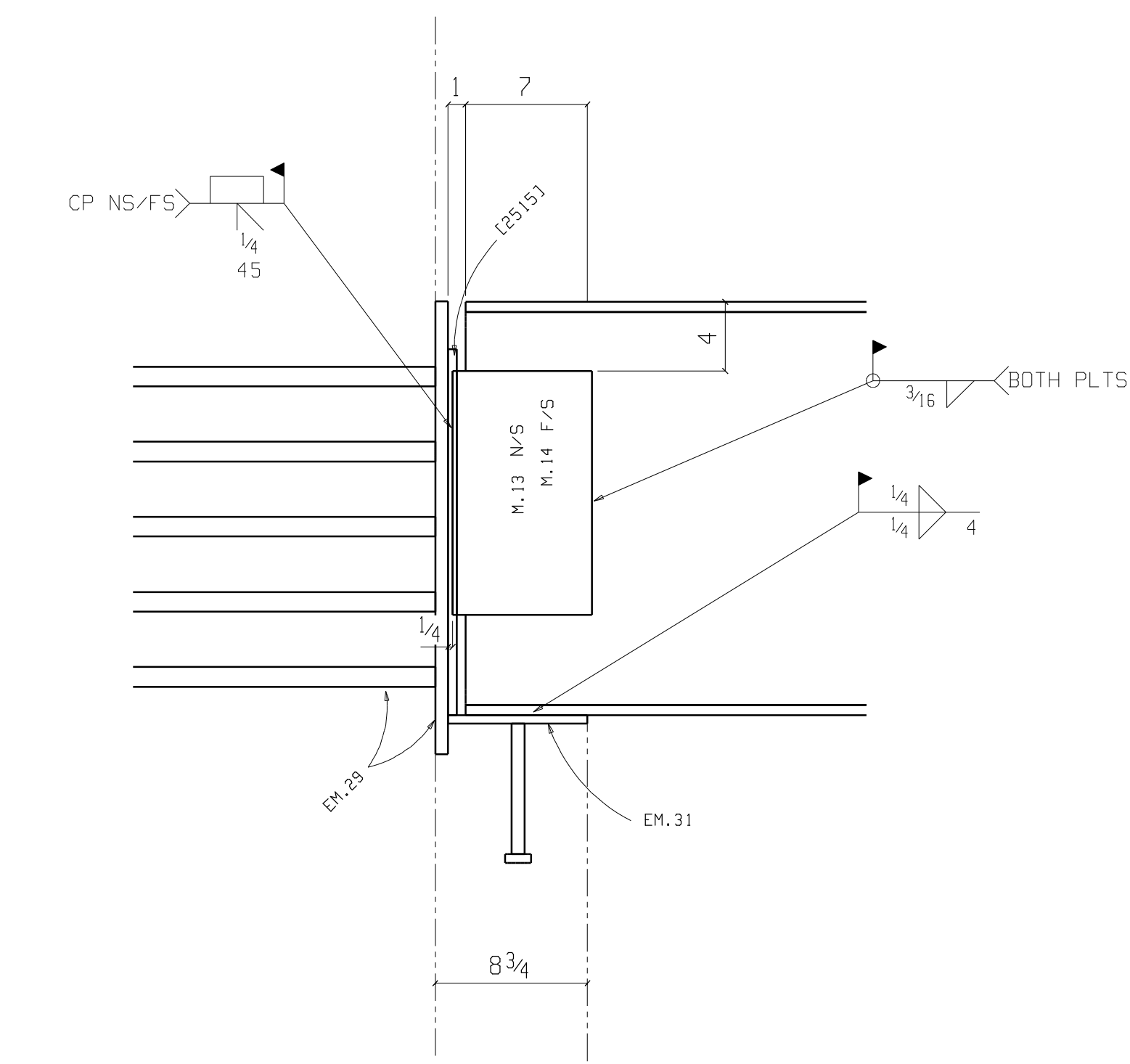


SECTION N1  
7/S4.0 COLLECTOR

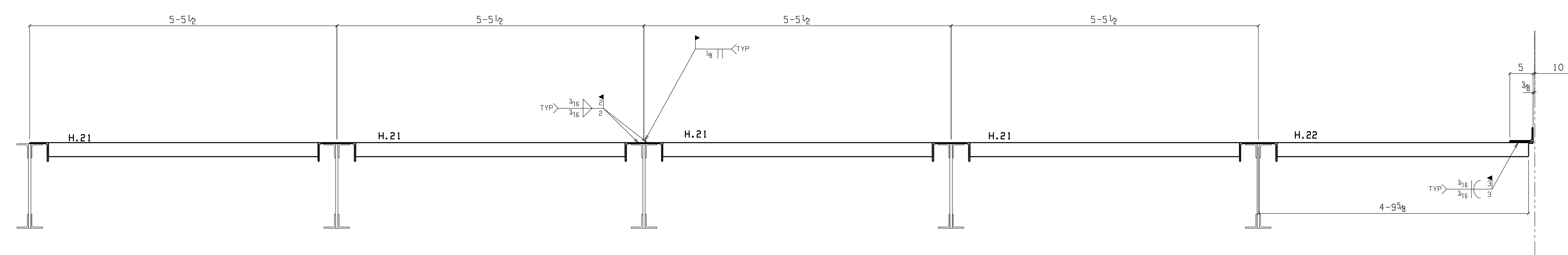
SECTION T1  
10/S4.0 COLLECTOR



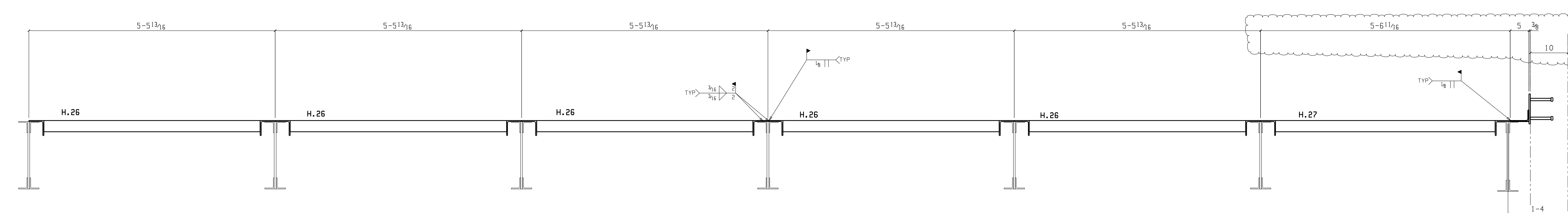
SECTION P1  
26/S4.1



SECTION V1  
REF: 28/S-4.0



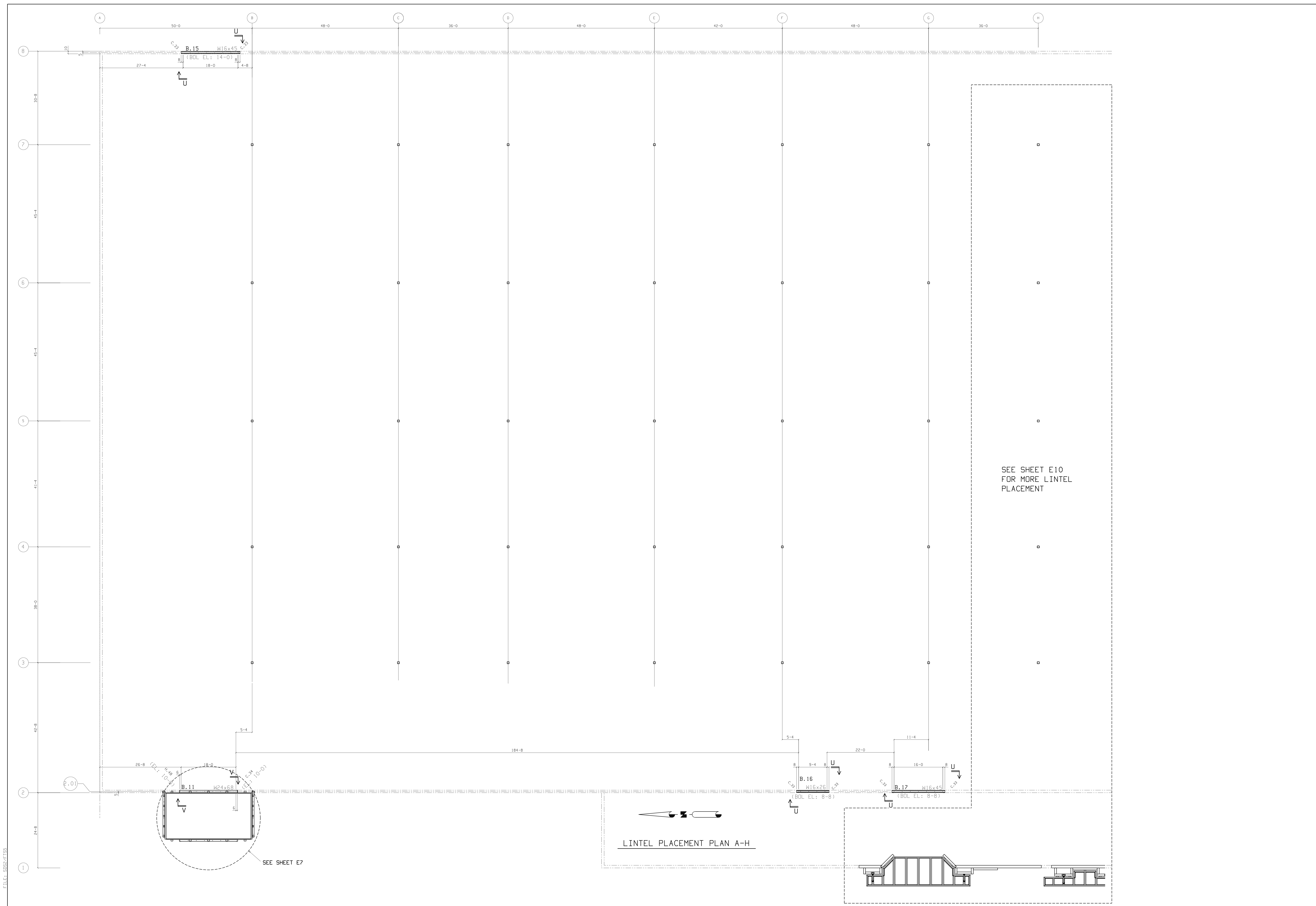
SECTION R1  
25/S4.0



SECTION S1  
22/S4.0

NOTES:  
 1. ERECT ALL MEMBER WITH THE MARKED END IN THE SAME RELATIVE POSITION AS SHOWN ON THE ERECTION DRAWING.  
 2. B.O.S.=BOTTOM OF STEEL. ELEVATIONS REFERENCED (xxxx-x/x) ARE TOP OF STEEL, OR JOIST BEARING (JB) ELEVATIONS.  
 3. PLEASE PROVIDE INFORMATION AND VERIFICATIONS INDICATED IN CLOUDED AREAS. CLOUDED NOTES WITH NO REMARKS FROM THE APPROVAL AUTHORITY WILL BE CONSIDERED AS AN AFFIRMATION.

REF:	NORTHWEST STEEL FAB PO Box 113 Colbert, WA 99005 Ph: (509) 466-8200 Fax: (509) 466-1435	<table border="1"> <thead> <tr> <th>NO.</th> <th>DATE</th> <th>BY</th> <th>REVISIONS</th> </tr> </thead> <tbody> <tr> <td>1</td> <td></td> <td></td> <td></td> </tr> <tr> <td>2</td> <td></td> <td></td> <td></td> </tr> <tr> <td>3</td> <td></td> <td></td> <td></td> </tr> <tr> <td>4</td> <td></td> <td></td> <td></td> </tr> <tr> <td>5</td> <td></td> <td></td> <td></td> </tr> </tbody> </table>	NO.	DATE	BY	REVISIONS	1				2				3				4				5				PROJECT: <b>LOWE'S</b> OF PALM DESERT, CA CONTRACTOR: <b>GRANT GENERAL CONTRACTORS</b> DATE: <b>MAY 16 2005</b> DESCRIPTION: <b>SECTIONS</b> DRAWING NO: <b>901</b> SCALE: <b>E8</b>
NO.	DATE	BY	REVISIONS																								
1																											
2																											
3																											
4																											
5																											
DETAILING: JOB 1182	FABRICATION TECHNICAL SERVICES, INC. 1839 S. GREENSFERRY RD, COEUR D'ALENE ID 83814 (208) 457-8282 fax: (208) 457-8208																										



SEE SHEET E10  
FOR MORE LINTEL  
PLACEMENT

LINTEL PLACEMENT PLAN A-H

Jun 16 2005 03:55:06 PM FILE: SBS57155

- NOTES:
1. ERECT ALL MEMBER WITH THE MARKED END IN THE SAME RELATIVE POSITION AS SHOWN ON THE ERECTION DRAWING.
  2. B.O.S. = BOTTOM OF STEEL. ELEVATIONS REFERENCED (xxxx-x/x) ARE TOP OF STEEL.
  3. PLEASE PROVIDE INFORMATION AND VERIFICATIONS INDICATED IN CLOUDED AREAS. CLOUDED NOTES WITH NO REMARKS FROM THE APPROVAL AUTHORITY WILL BE CONSIDERED AS AN AFFIRMATION.

REF:

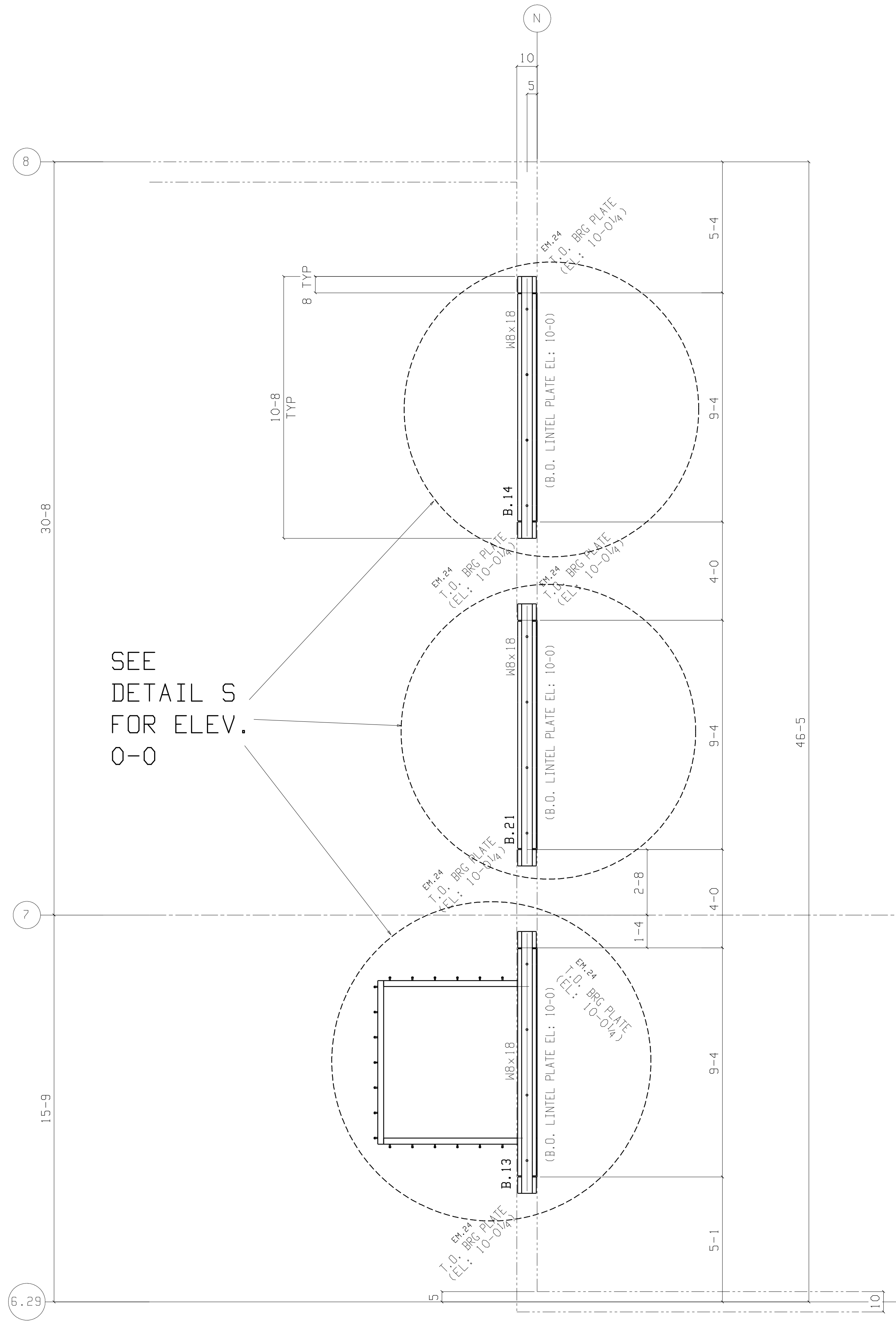
DETAILING: FABRICATION TECHNICAL SERVICES, INC.  
JOB 1182 1839 S. GREENSFERRY RD, COEUR D'ALENE ID 83814  
(208) 457-8282 fax: (208) 457-8208

NORTHWEST STEEL FAB  
PO Box 113  
Colbert, WA 99005  
Ph: (509) 466-8200 Fax: (509) 466-1435

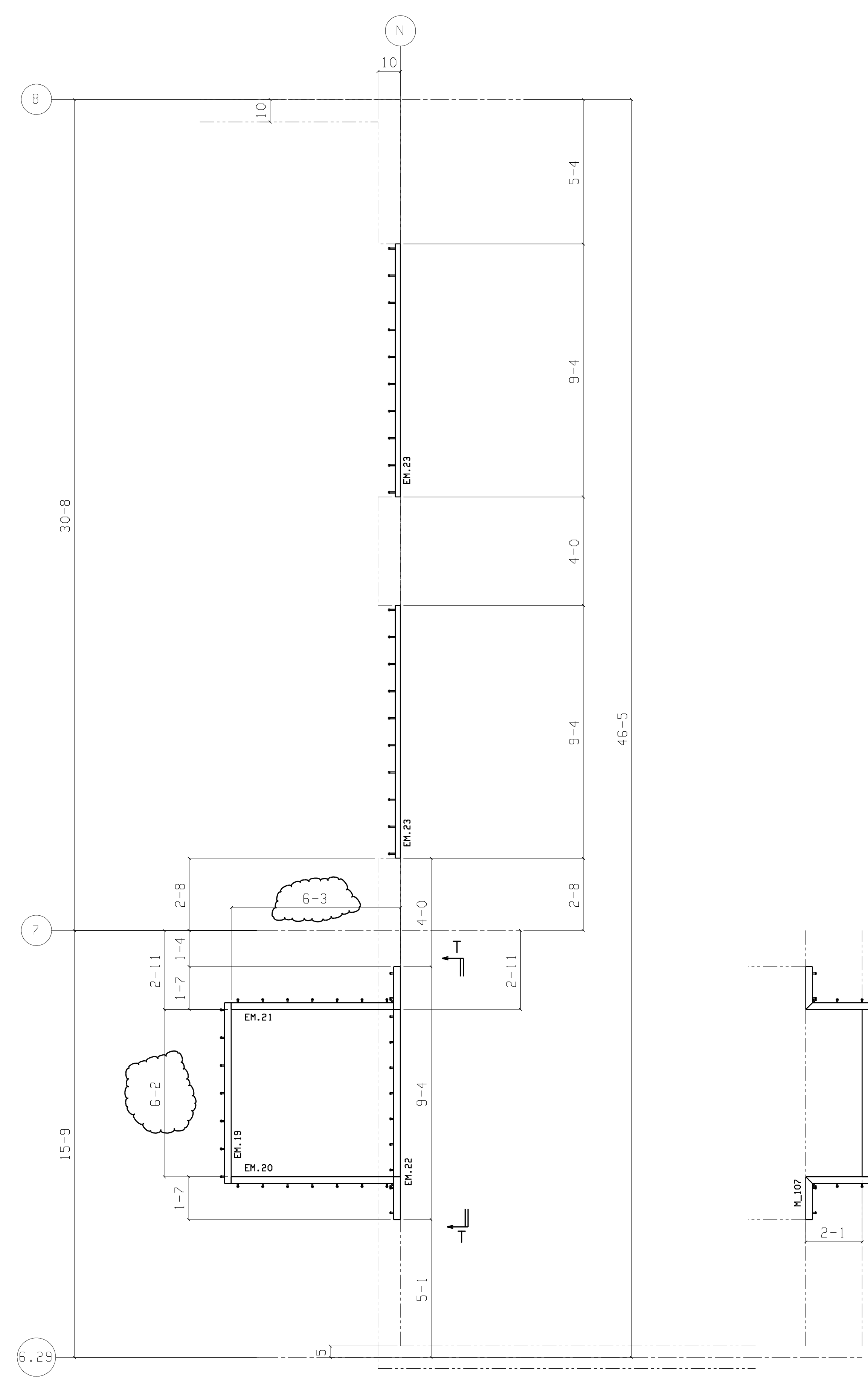
REVISIONS		PROJECT	
NO.	DATE	DESCRIPTION	BY
1			
2			
3			
4			
5			

PROJECT:	LOWE'S	DATE:	MAY 16 2005
LOCATION:	OF PALM DESERT, CA	DRAWN BY:	MP
CONTRACTOR:	GRANT GENERAL CONTRACTORS	CHECKED BY:	KB
DESCRIPTION:	LINTEL PLACEMENT	SCALE:	901
		SHEET NO.:	E9

01:55:08 PM FILE: L\_SBS57.F55

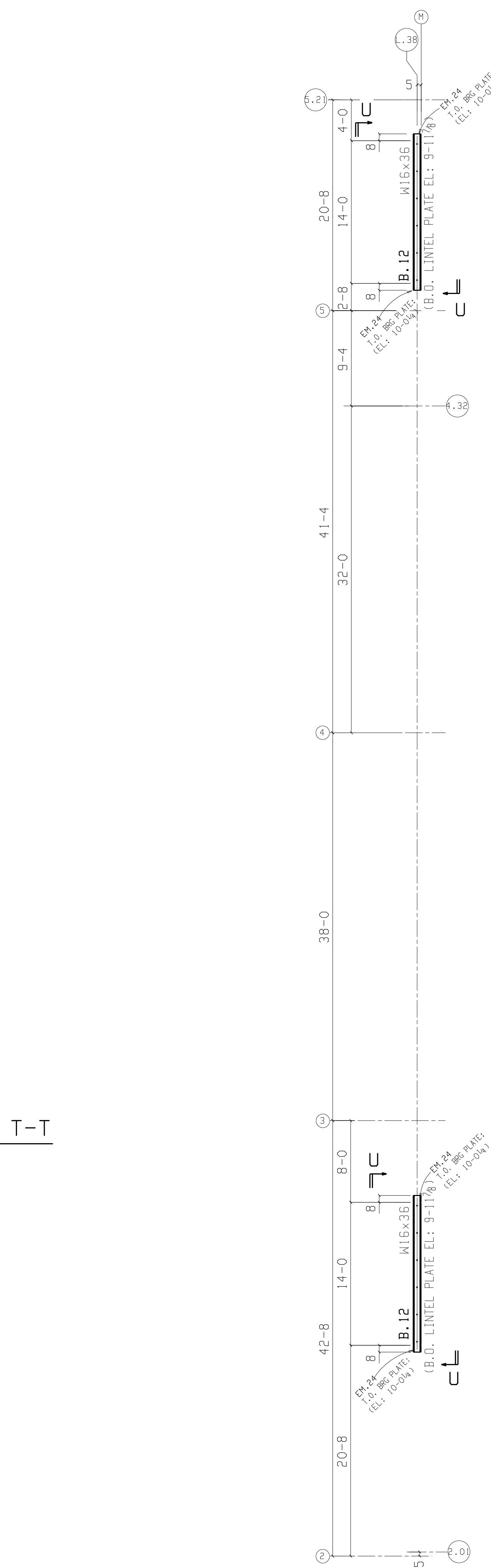
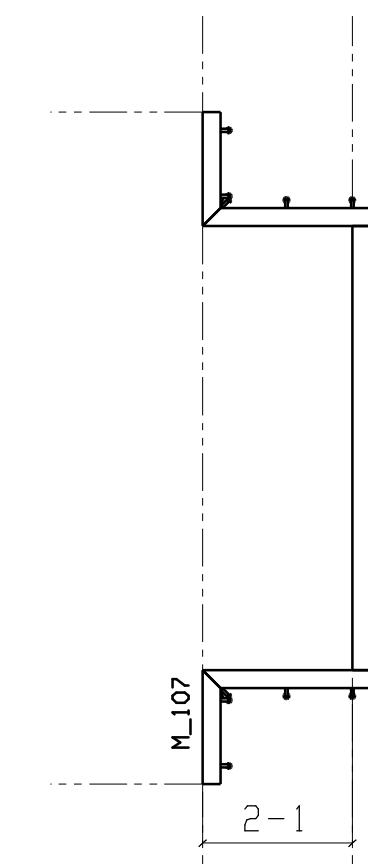


LINTEL PLACEMENT PLAN GRID N  
B.O.S. ELEVATION 10-0 (U.N.O.)

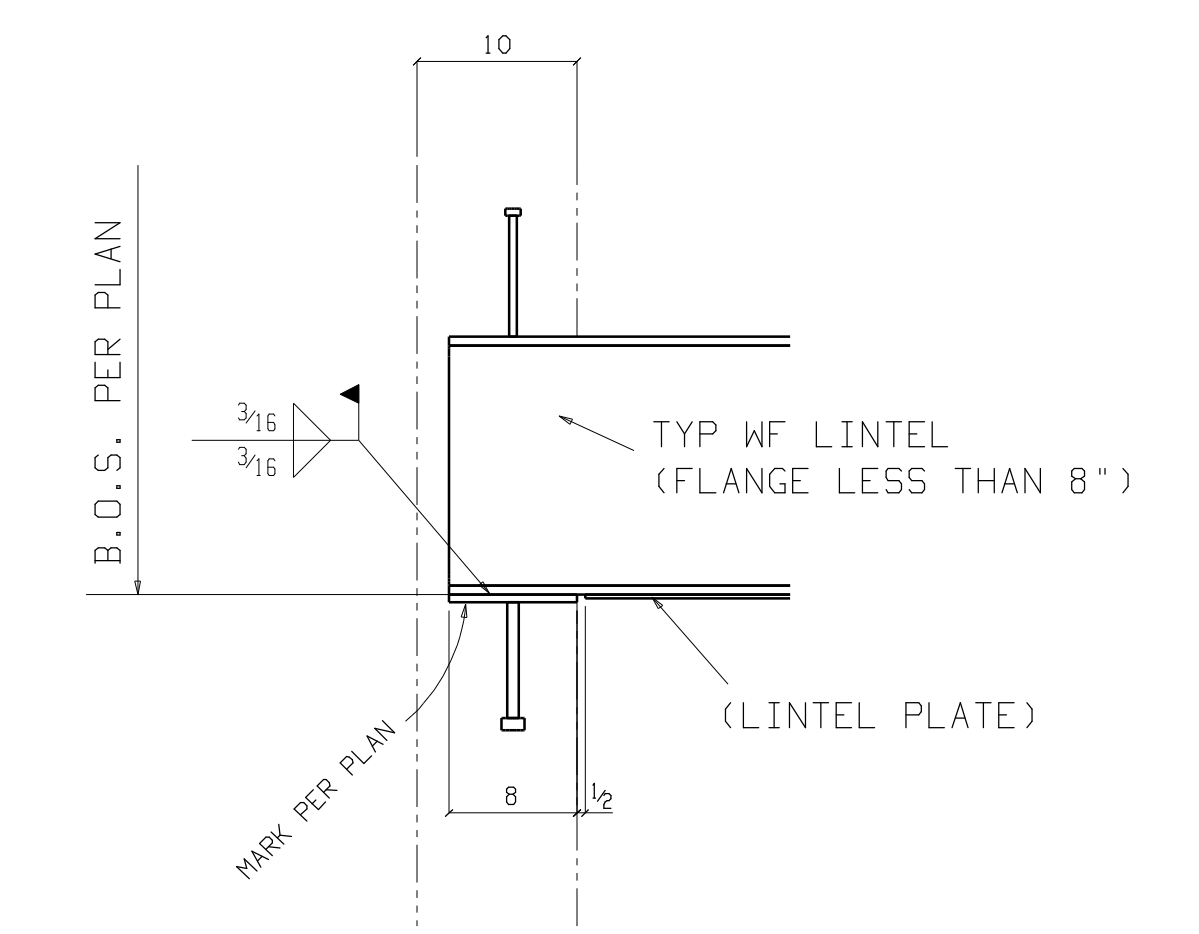


DETAIL S  
F.F. ELEVATION 0-0 (U.N.O.)

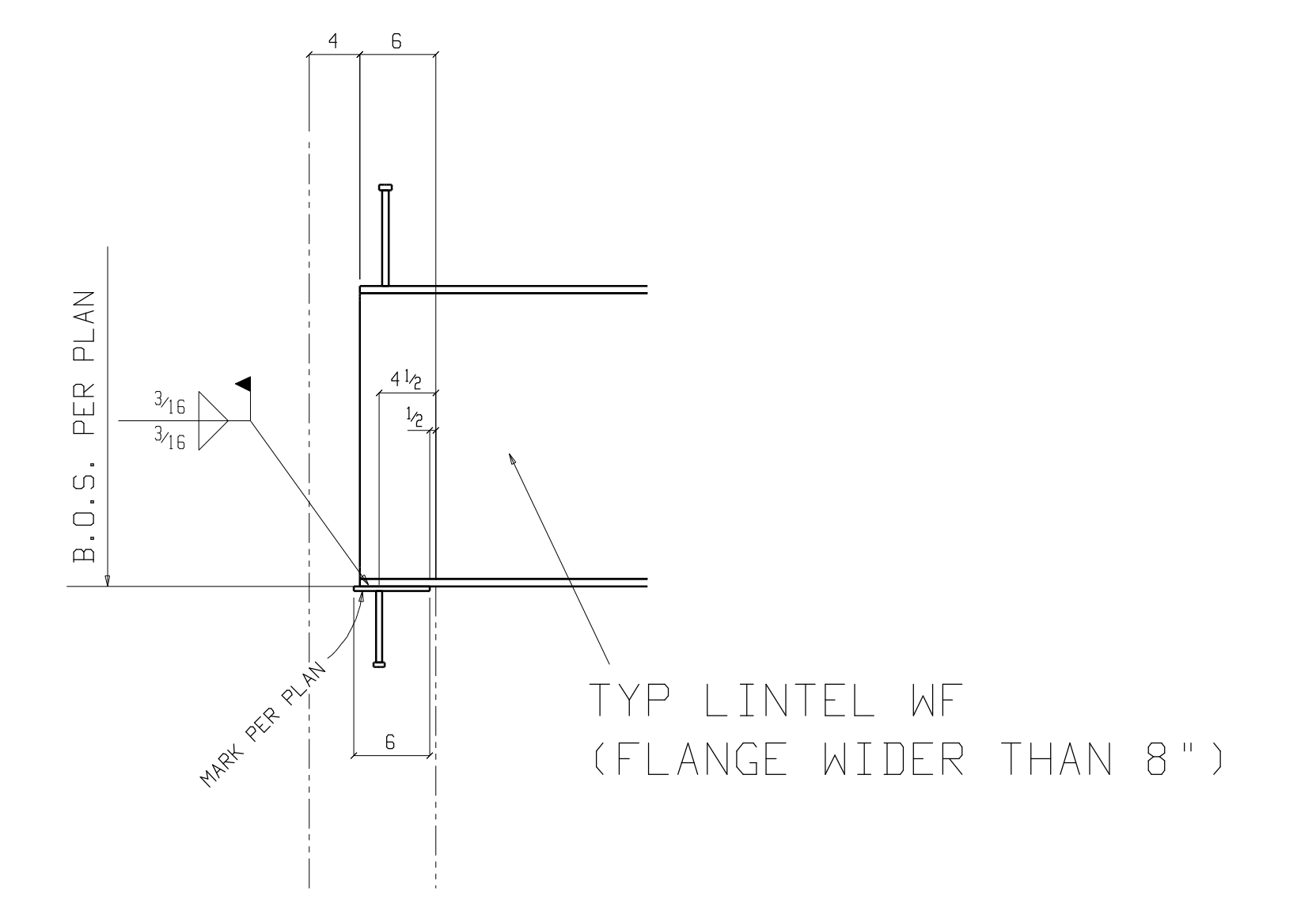
SECTION T-T



LINTEL PLACEMENT PLAN GRID L.38 BETWEEN 2 & 5.21  
Elevation: 10-0 (U.N.)



SECTION U  
REF: 9/S-4.0



SECTION V  
REF: 23/S-4.0

NOTES:  
1. ERECT ALL MEMBER WITH THE MARKED END IN THE SAME RELATIVE POSITION AS SHOWN ON THE ERECTION DRAWING.  
2. B.O.S.=BOTTOM OF STEEL. ELEVATIONS REFERENCED (xxxx-x/x) ARE TOP OF STEEL.  
3. PLEASE PROVIDE INFORMATION AND VERIFICATIONS INDICATED IN CLOUDED AREAS. CLOUDED NOTES WITH NO REMARKS FROM THE APPROVAL AUTHORITY WILL BE CONSIDERED AS AN AFFIRMATION.

REF:  
DETAILING: FABRICATION TECHNICAL SERVICES, INC.  
JOB 1182 1839 S. GREENSFERRY RD, COEUR D'ALENE ID 83814  
(208) 457-8282 fax: (208) 457-8208

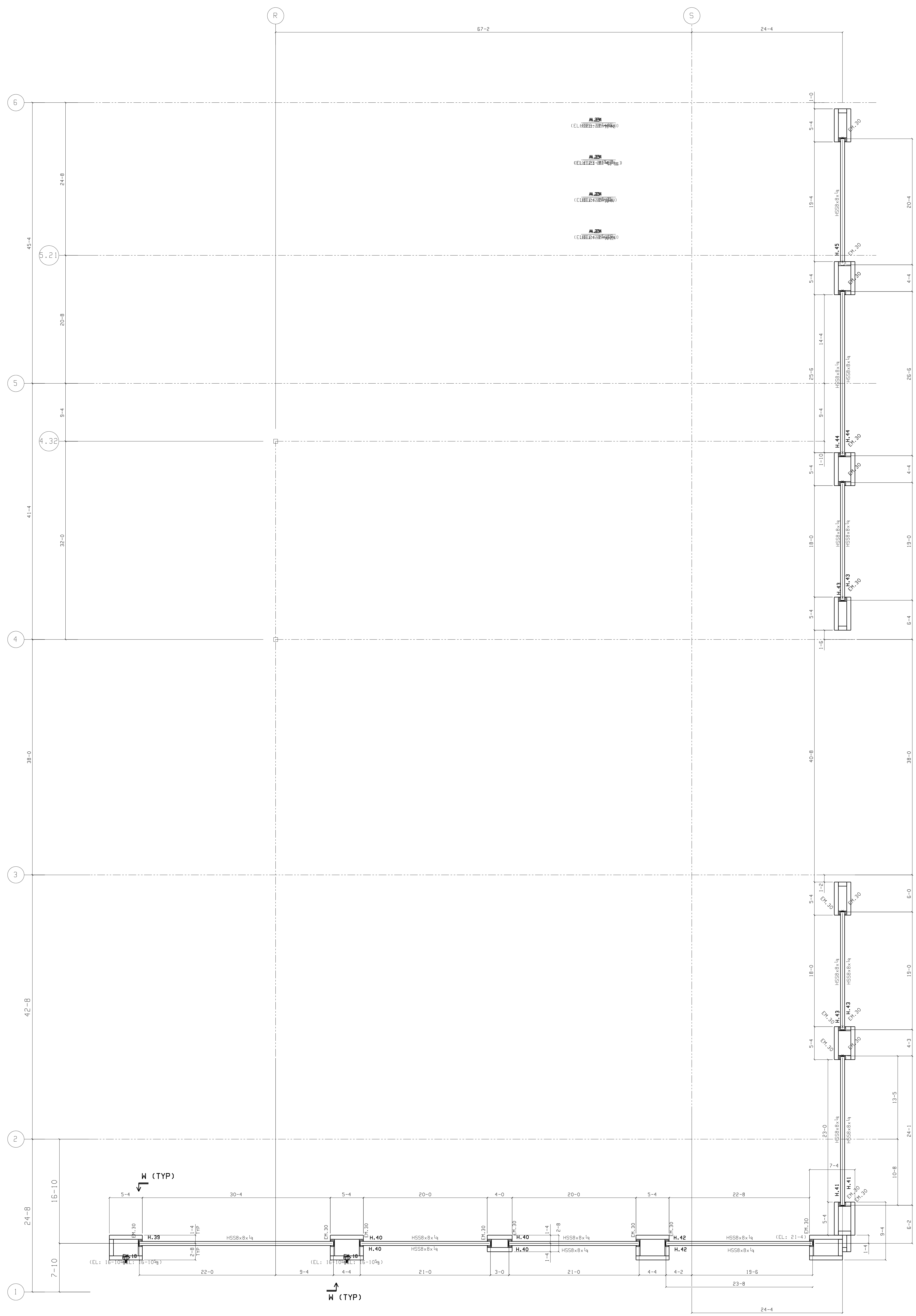
NORTHWEST STEEL FAB  
PO Box 113  
Colbert, WA 99005  
Ph: (509) 466-8200 Fax: (509) 466-1435

REVISIONS		PROJECT	
NO.	DATE	DESCRIPTION	BY
1			
2			
3			
4			
5			

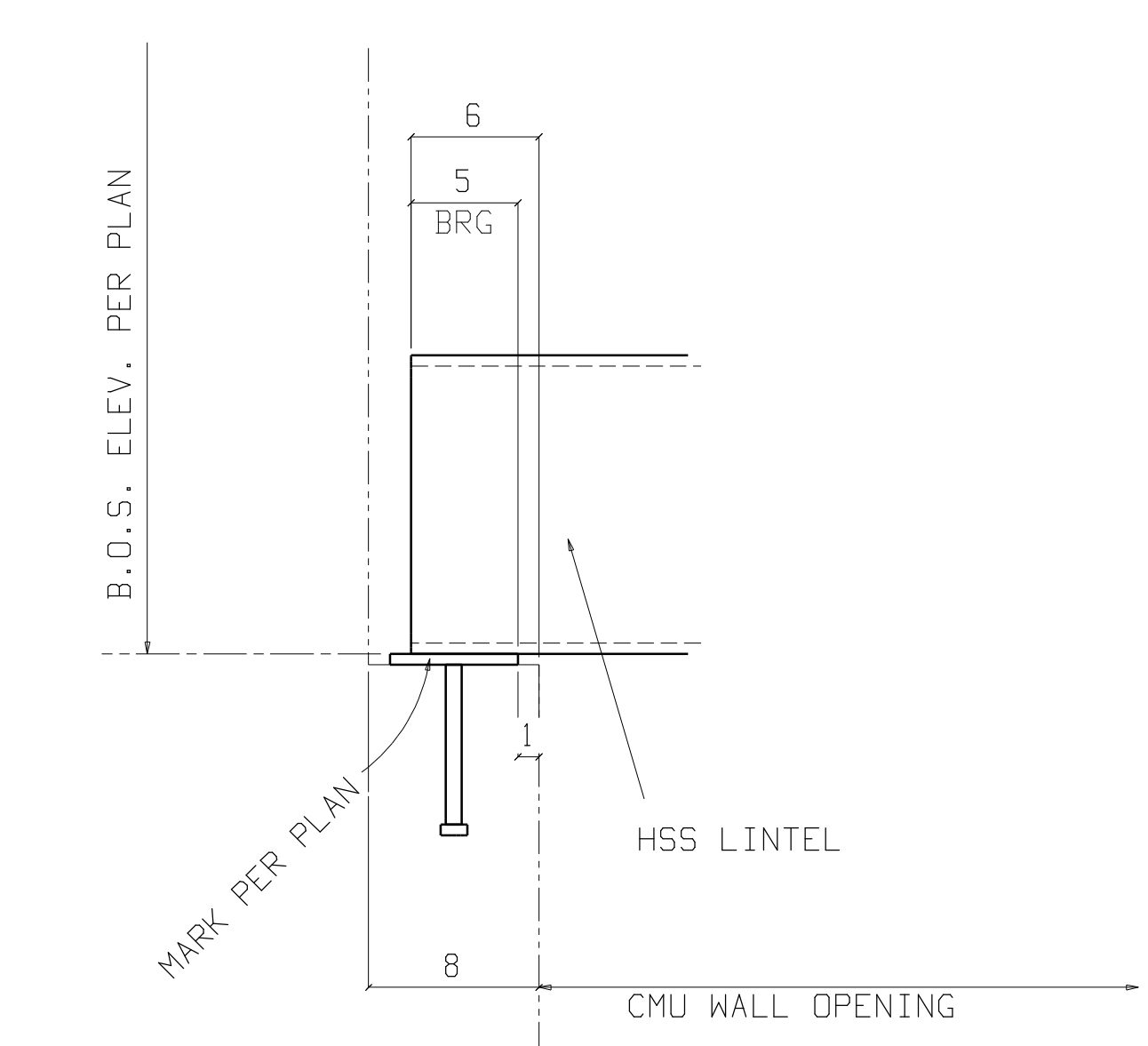
LOWE'S  
OF PALM DESERT, CA  
GRANT GENERAL CONTRACTORS  
LINTEL PLACEMENT  
& LOADING DOCK EMBEDS

DATE: MAY 16 2005  
DRAWN BY: MP  
CHECKED BY: KB  
SCALE: 901  
SHEET NO: E10

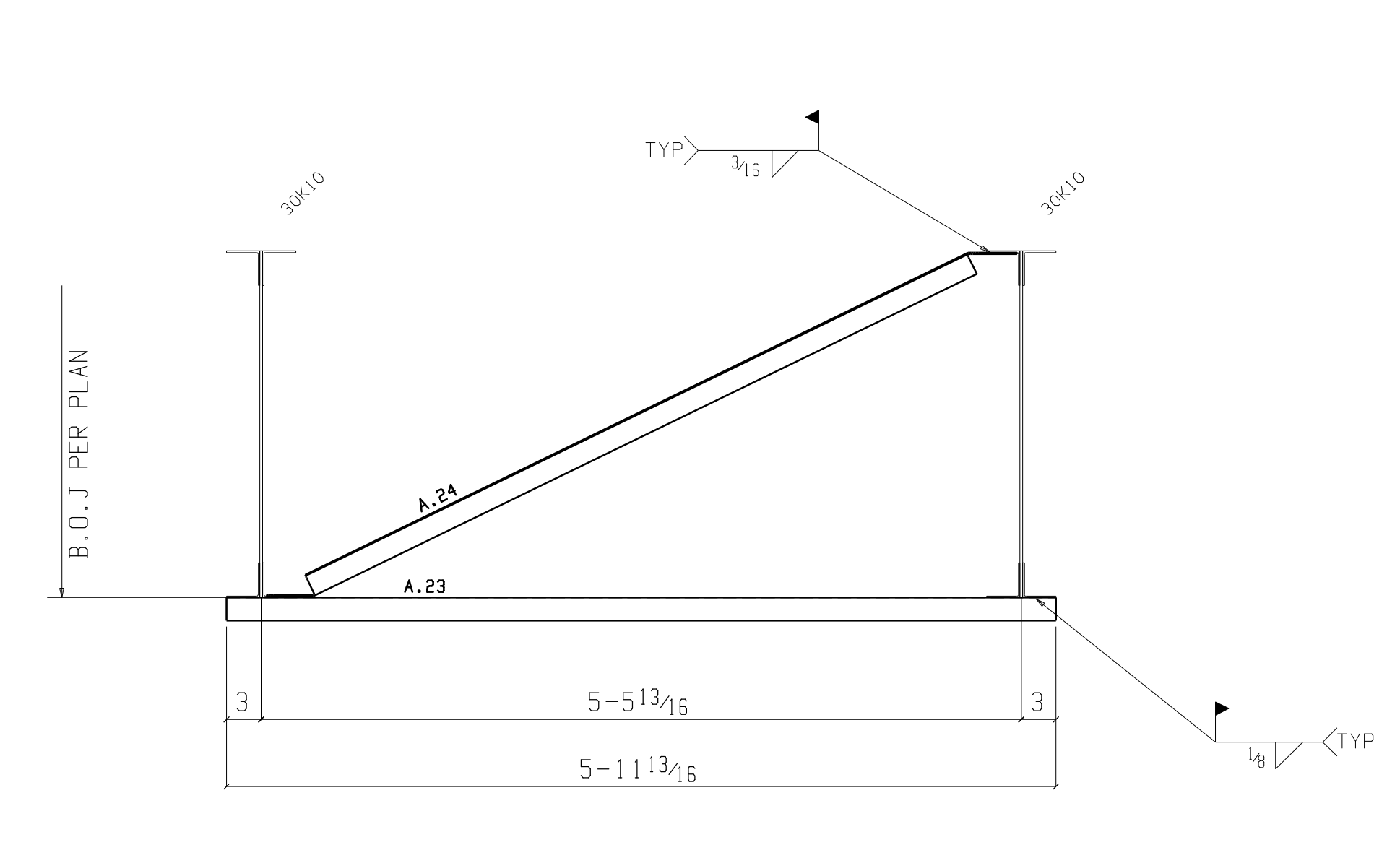
03:55:10 PM FILE: SBS57155



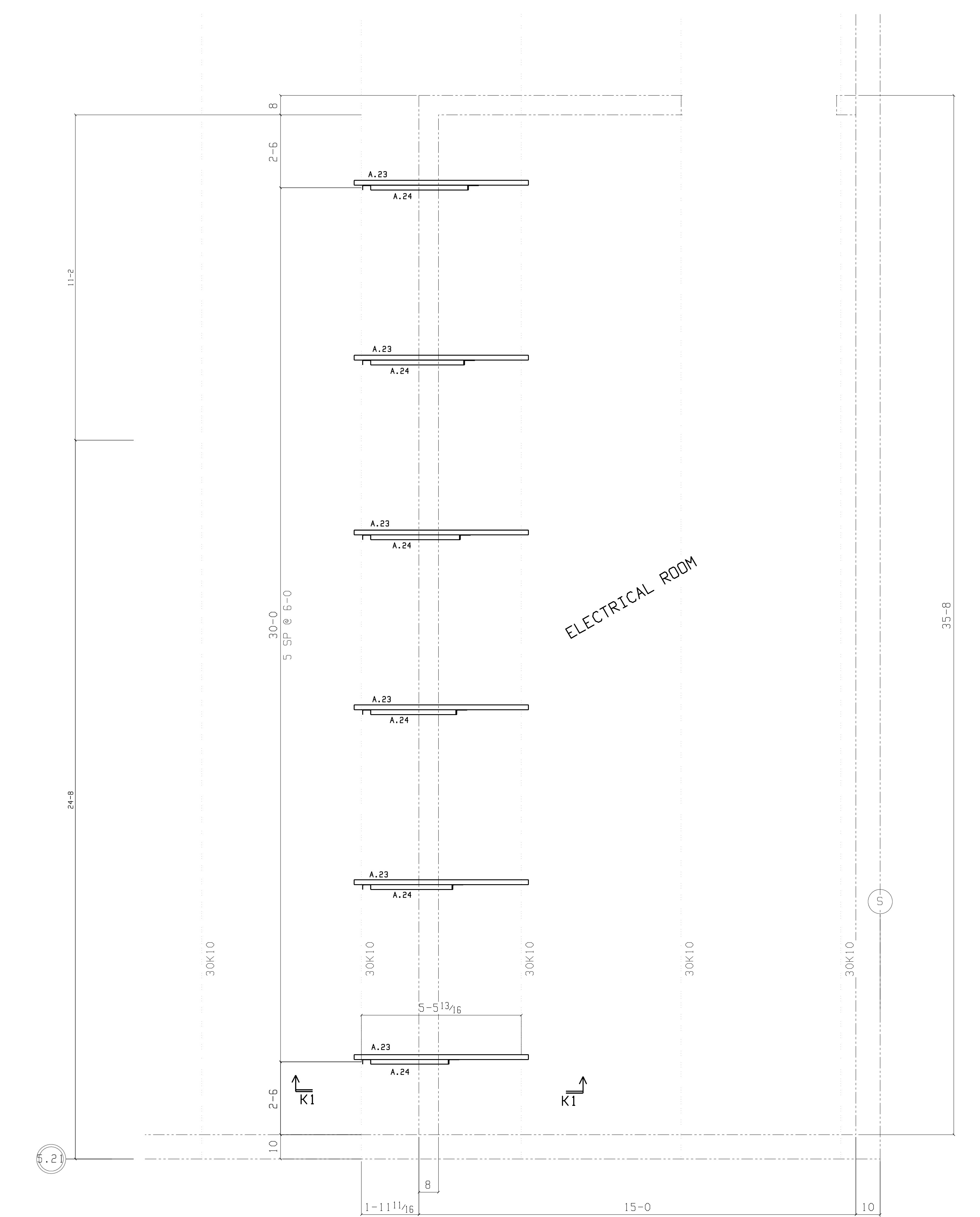
**LINTEL PLACEMENT PLAN SOUTH PERIMETER**  
Elevation: 22-6 (U.N.)



**SECTION W**  
REF: 5/S-4.4



**SECTION K1**  
REF: 16/S-4.1



**PLAN VIEW ELECTRICAL ROOM**  
Elevation: 22-10 (U.N.)

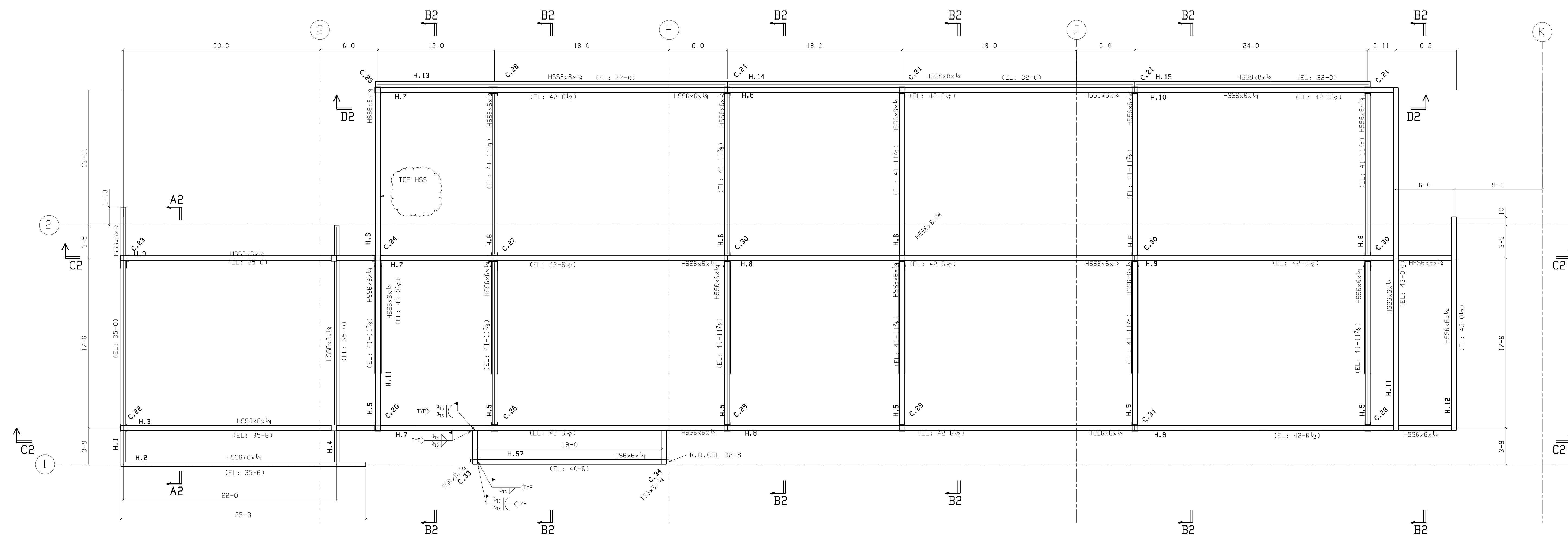
- NOTES:
1. ERECT ALL MEMBER WITH THE MARKED END IN THE SAME RELATIVE POSITION AS SHOWN ON THE ERECTION DRAWING.
  2. B.O.S.=BOTTOM OF STEEL. ELEVATIONS REFERENCED (xxx-x'x'x) ARE TOP OF STEEL.
  3. PLEASE PROVIDE INFORMATION AND VERIFICATIONS INDICATED IN CLOUDED AREAS. CLOUDED NOTES WITH NO REMARKS FROM THE APPROVAL AUTHORITY WILL BE CONSIDERED AS AN AFFIRMATION.

REF: NORTHWEST STEEL FAB  
PO Box 113  
Colbert, WA 99005  
Ph: (509) 466-8200 Fax: (509) 466-1435

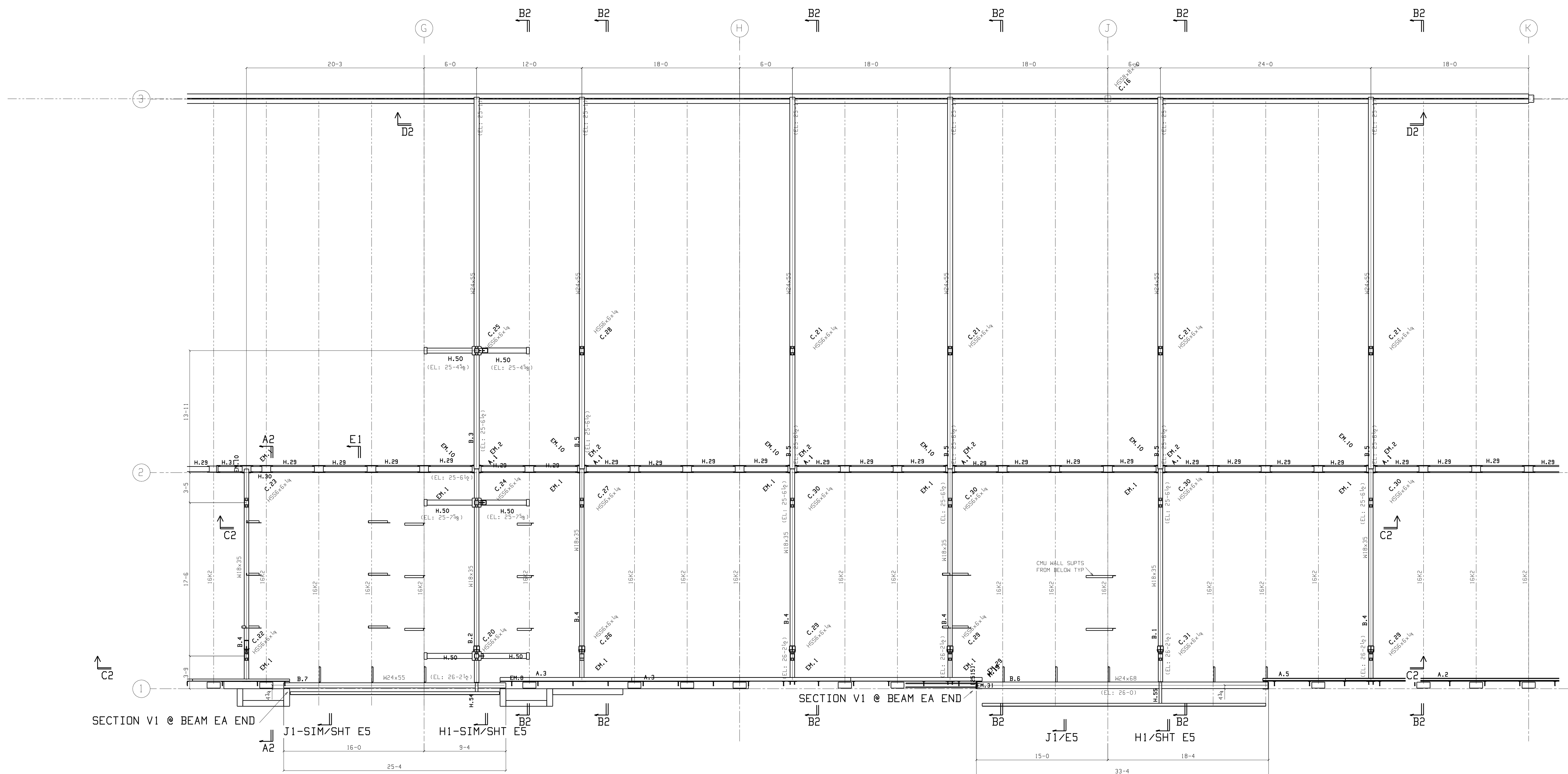
DETAILING: FABRICATION TECHNICAL SERVICES, INC.  
JOB 1182 1839 S. GREENSFERRY RD, COEUR D'ALENE ID 83814  
(208) 457-8282 fax: (208) 457-8208

REVISIONS		PROJECT	
NO.	DATE	BY	APP.
1			
2			
3			
4			
5			

PROPERTY: **LOWE'S OF PALM DESERT, CA**  
 GRANT GENERAL CONTRACTORS  
 LINTEL PLACEMENT & SECTIONS  
 DATE: MAY 16 2005  
 DRAWING NO: 901  
 SHEET NO: E11



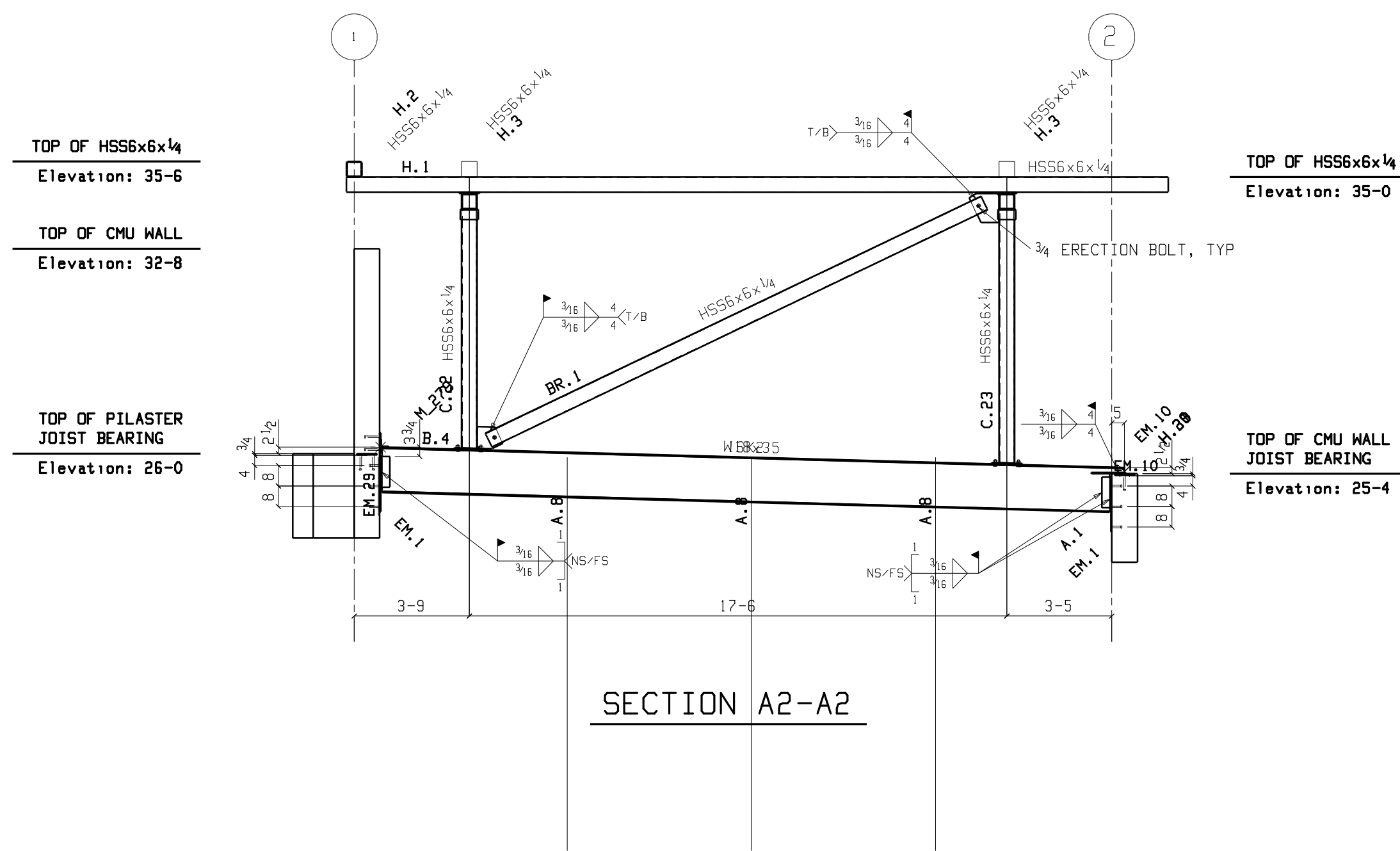
PARAPET FRAMING PLAN  
Elevation: AS NOTED



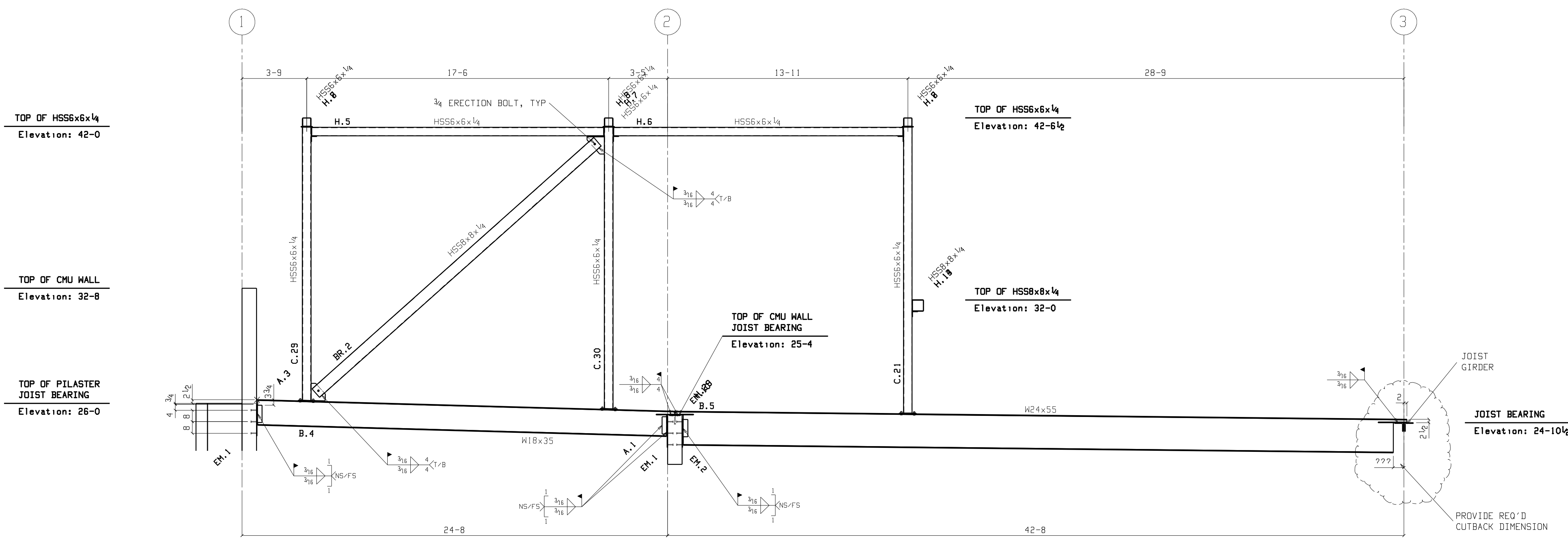
PARAPET FRAMING SUPPORT  
Elevation: AS NOTED

- NOTES:
1. ERECT ALL MEMBER WITH THE MARKED END IN THE SAME RELATIVE POSITION AS SHOWN ON THE ERECTION DRAWING.
  2. B.O.S.=BOTTOM OF STEEL. ELEVATIONS REFERENCED (xxx-x/x) ARE TOP OF STEEL.
  3. PLEASE PROVIDE INFORMATION AND VERIFICATIONS INDICATED IN CLOUDED AREAS. CLOUDED NOTES WITH NO REMARKS FROM THE APPROVAL AUTHORITY WILL BE CONSIDERED AS AN AFFIRMATION.

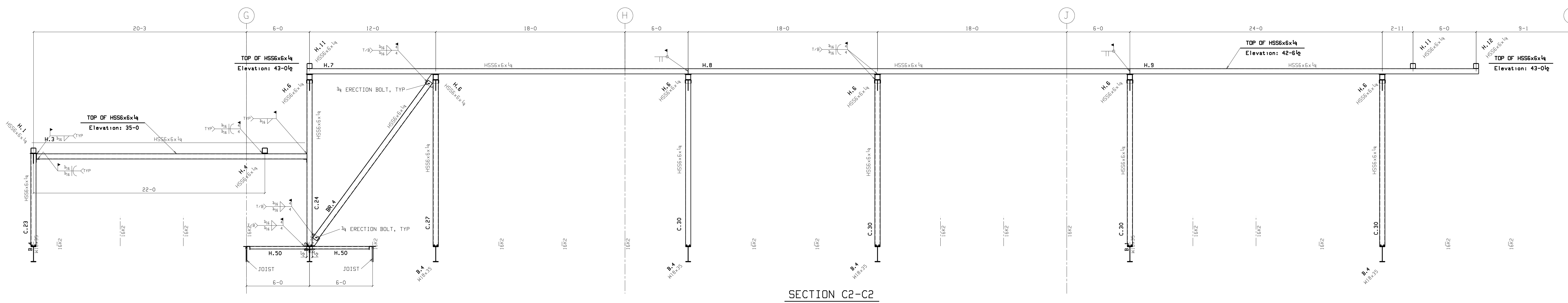
REF:		NORTHWEST STEEL FAB PO Box 113 Colbert, WA 99005 Ph: (509) 466-8200 Fax: (509) 466-1435		REVISIONS 1 2 3 4 5		PROJECT LOWE'S OF PALM DESERT, CA CONTRACTOR GRANT GENERAL CONTRACTORS DESCRIPTION PARAPET FRAMING		DATE MAY 16 2005 DRAWN MP CHECKED KB JOB NO. 901 SHEET NO. E12	
DETAILING: 708 1182 FABRICATION TECHNICAL SERVICES, INC. 1839 S. GREENFERRY RD., COEUR D'ALENE ID 83814 (208) 457-8282 Fax: (208) 457-8208									



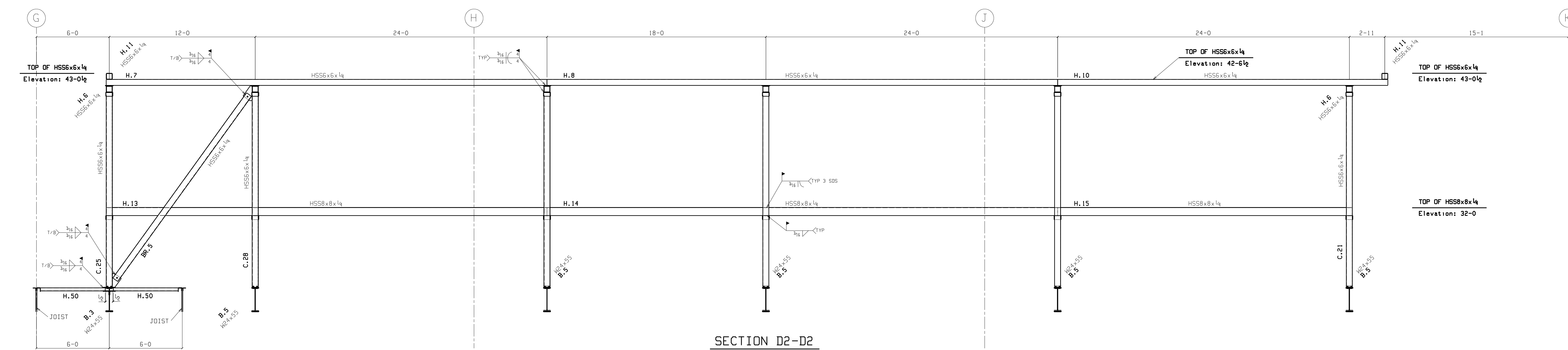
SECTION A2-A2



SECTION B2-B2



SECTION C2-C2



SECTION D2-D2

NOTES:  
 1. ERECT ALL MEMBER WITH THE MARKED END IN THE SAME RELATIVE POSITION AS SHOWN ON THE ERECTION DRAWING.  
 2. B.O.S.=BOTTOM OF STEEL. ELEVATIONS REFERENCED (x'x" x'x") ARE TOP OF STEEL.  
 3. PLEASE PROVIDE INFORMATION AND VERIFICATIONS INDICATED IN CLOUDED AREAS. CLOUDED NOTES WITH NO REMARKS FROM THE APPROVAL AUTHORITY WILL BE CONSIDERED AS AN AFFIRMATION.

REF:  
 DETAILING: FABRICATION TECHNICAL SERVICES, INC.  
 JOB 1182 1839 S. GREENSFERRY RD, COEUR D'ALENE ID 83814  
 (208) 457-8282 fax: (208) 457-8208

NORTHWEST STEEL FAB  
 PO Box 113  
 Colbert, WA 99005  
 Ph: (509) 466-8200 Fax: (509) 466-1435

REVISIONS		PROJECT	
NO.	DATE	BY	CHK
1			
2			
3			
4			
5			

LOWE'S  
 OF PALM DESERT, CA  
 GRANT GENERAL CONTRACTORS  
 PARAPET ELEVATIONS  
 & SECTIONS

DATE: MAY 16 2005  
 DRAWN BY: MP KB  
 CHECKED BY: 901  
 SCALE: E 13

03:55:14 PM FILE: S2557.F55