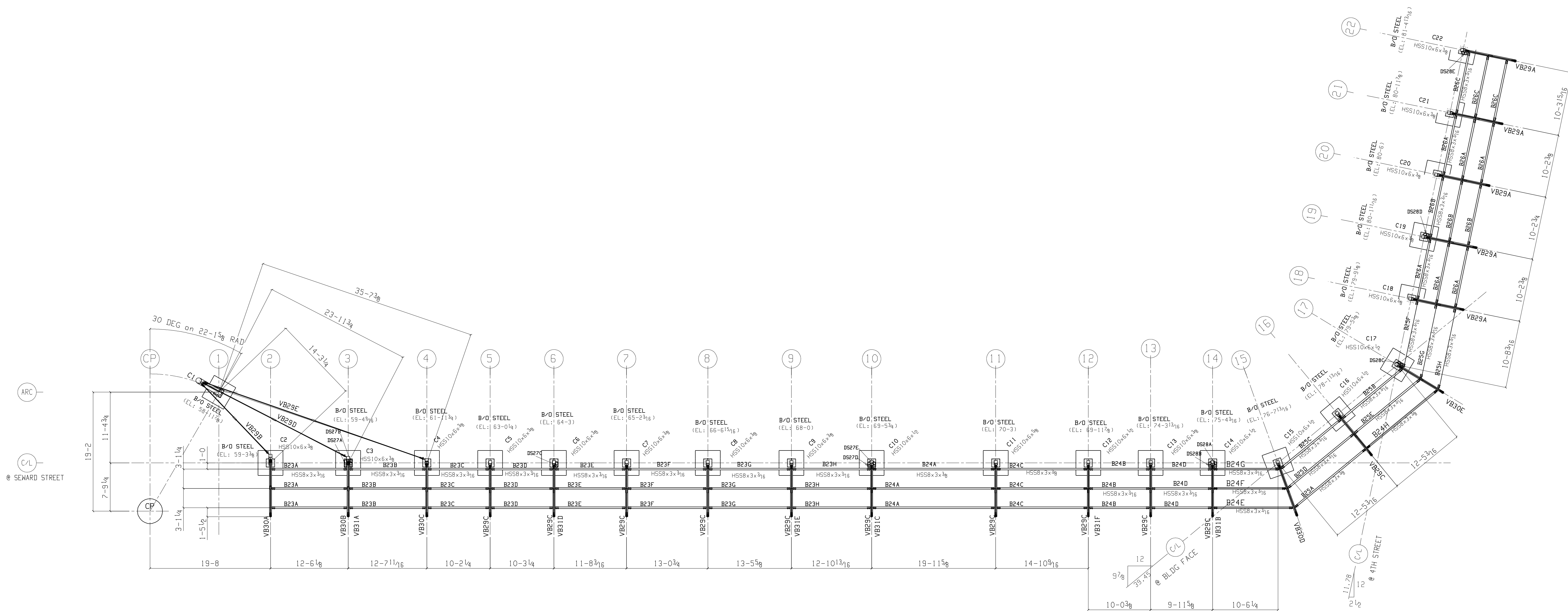


CANOPY ISOMETRIC



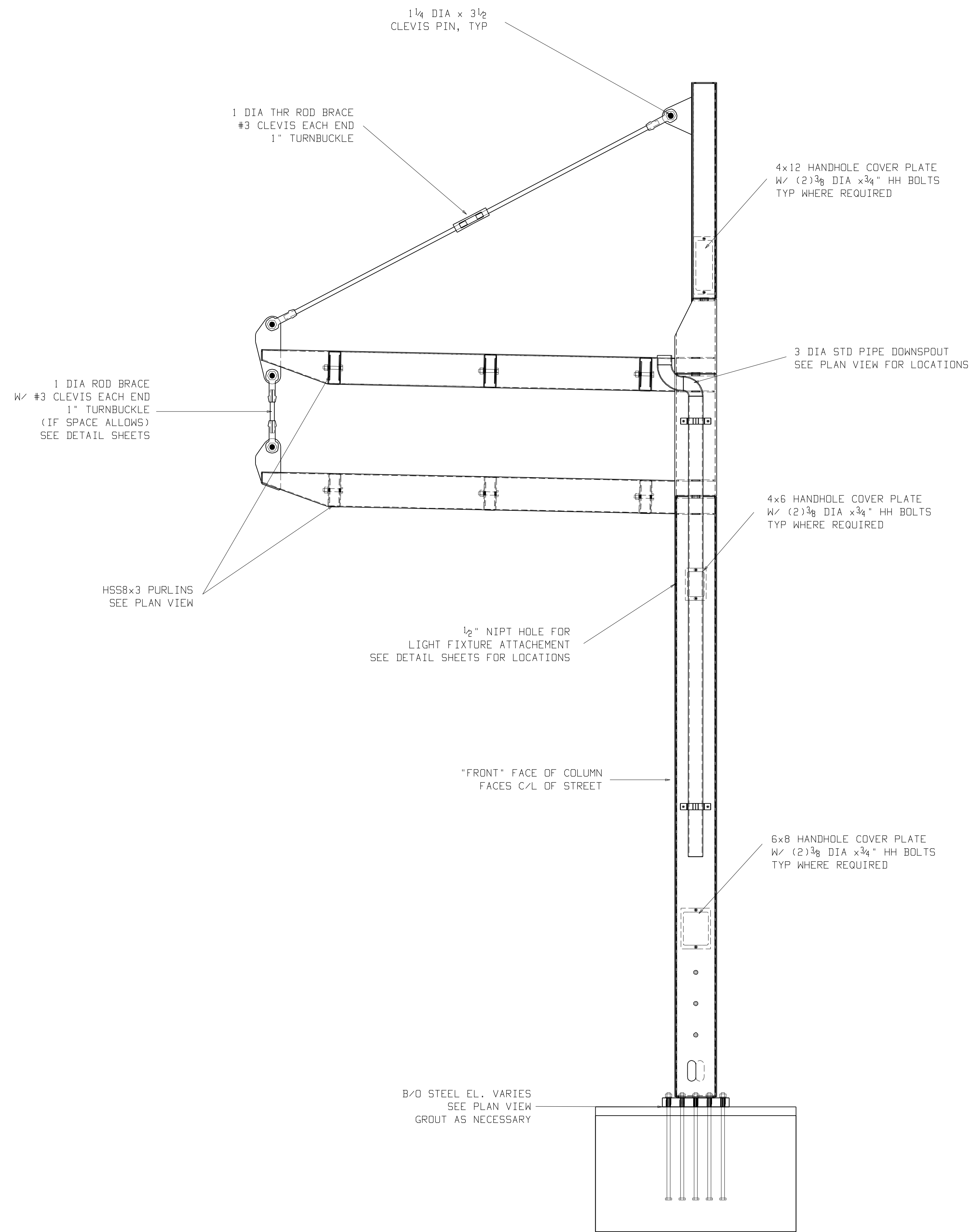
NOTES

DETAILING: FABRICATION TECHNICAL SERVICES, INC.
 JOB 1171 1839 S. GREENSFERRY RD, COEUR D'ALENE, ID 83814
 (208) 457-8282 fax: (208) 457-8208

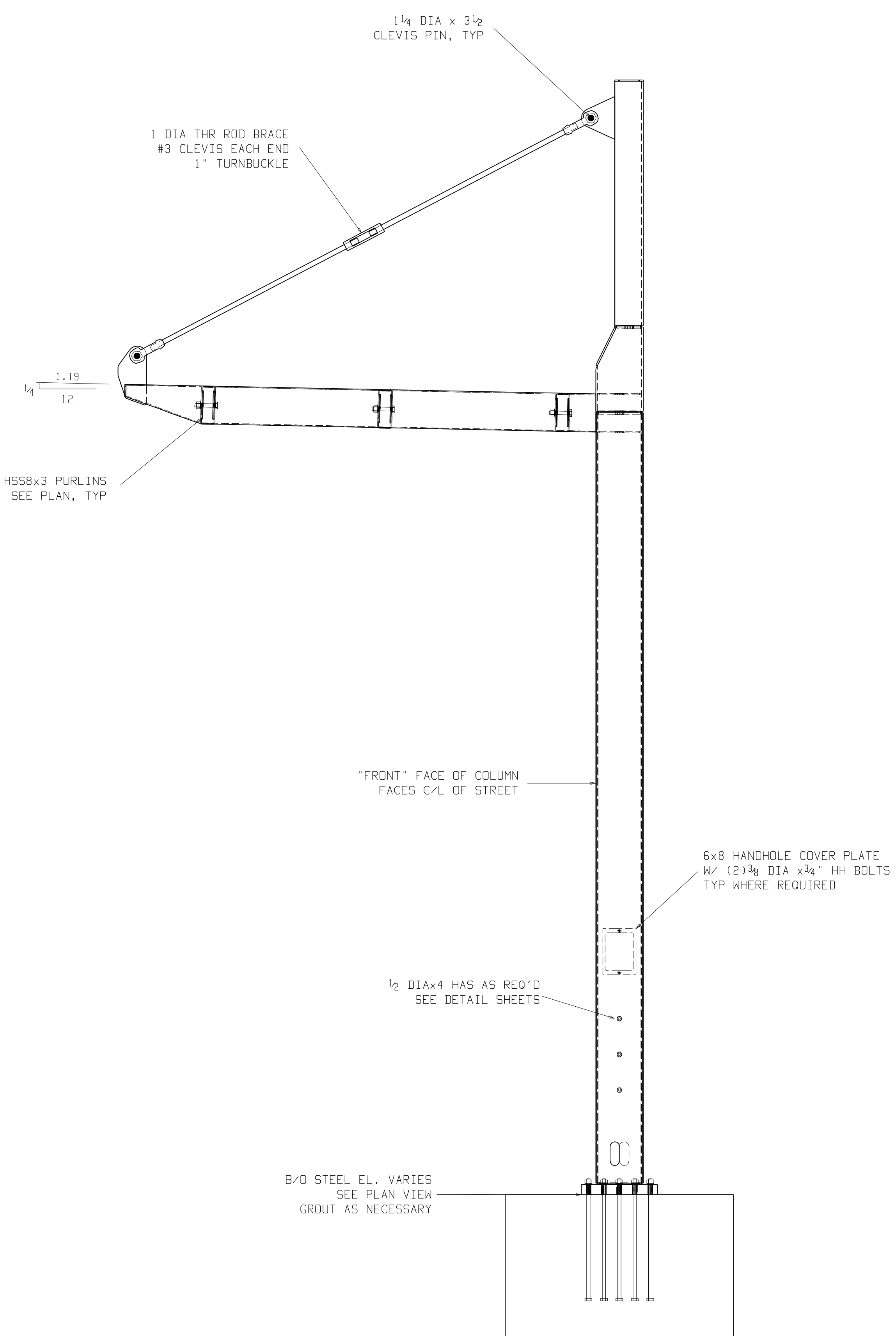
ALASKA METAL GOODS, INC.
 1101 H. STREET
 ANCHORAGE, ALASKA 99501
 ph: (907) 277-8899 fax: (907) 277-9001

REVISIONS			PROJECT
NO.	DATE	BY	SEWARD ST RECONSTRUCTION
1	2-20-06	KB	
2			
3			
4			
5			

CONTRACTOR	ARETE CONSTRUCTION	DWG: RRP	DWG: KB
DATE	09-07-05		
DESCRIPTION	CANOPY PLAN		
DWG NO	E1		



TYPICAL DOUBLE COLUMN



TYPICAL SINGLE COLUMN

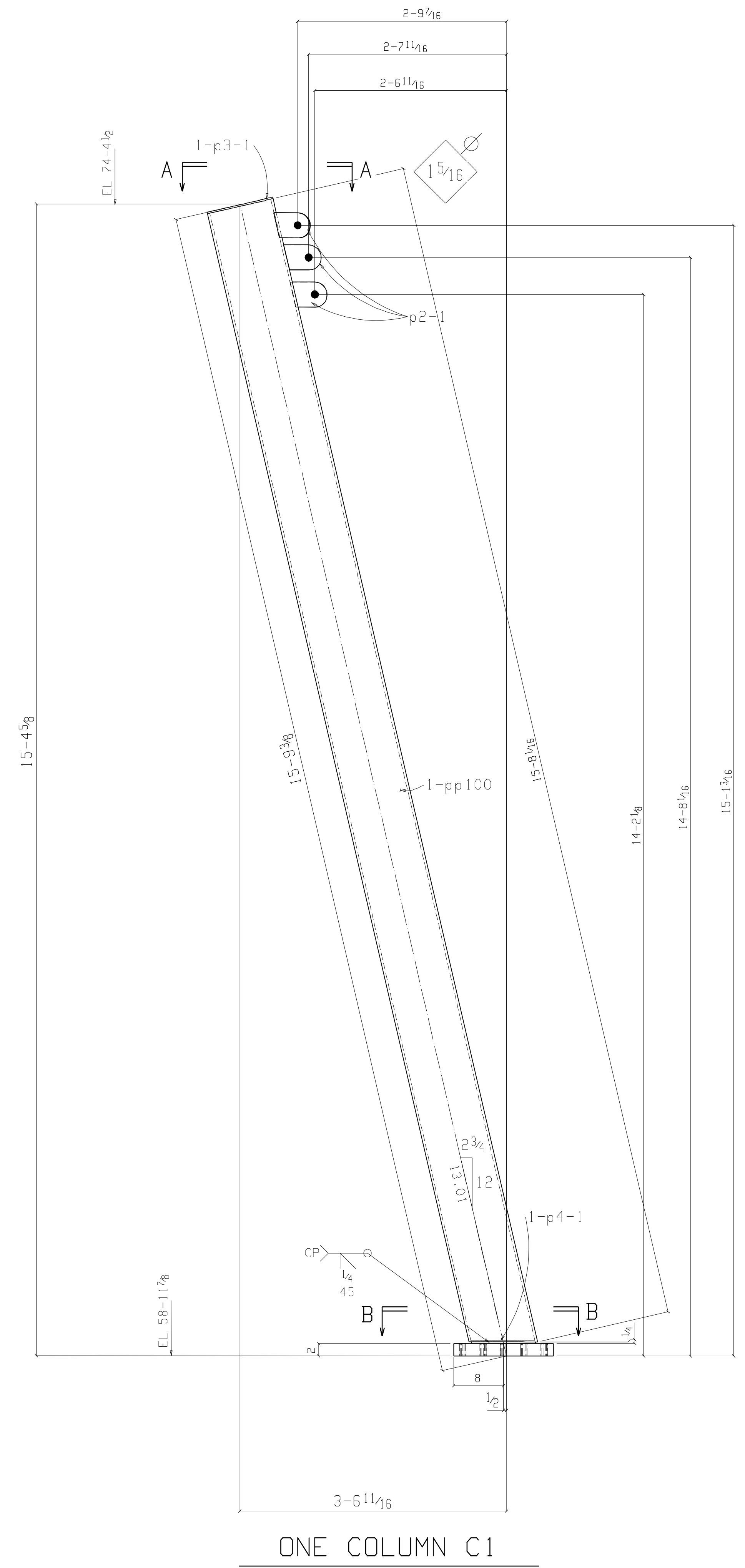
NOTES

DETAILING: JOB 1171

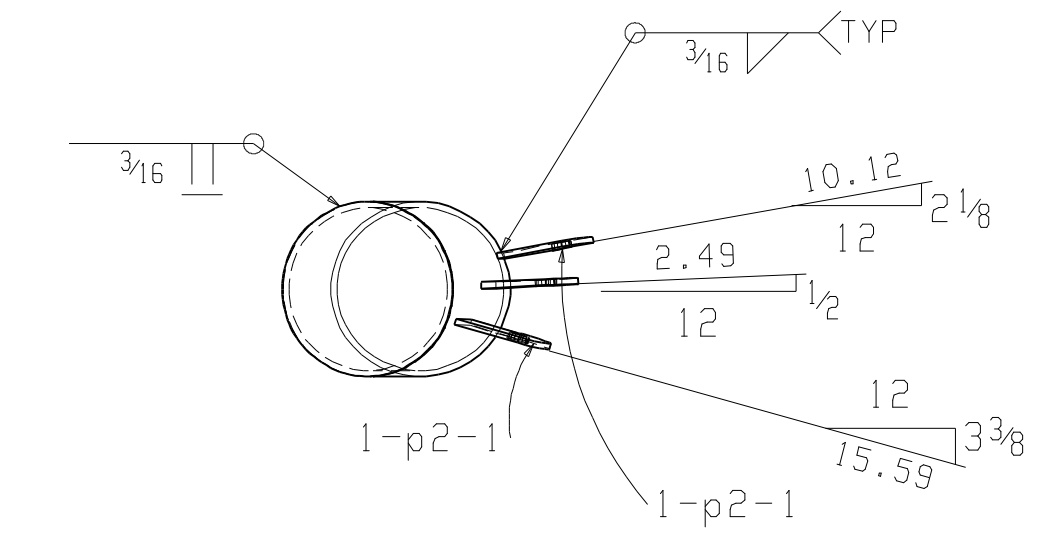
FABRICATION TECHNICAL SERVICES, INC.
1839 S. GREENSFERRY RD, COEUR D'ALENE, ID 83814
(208) 457-8282 fax: (208) 457-8208

ALASKA METAL GOODS, INC.
1101 H. STREET
ANCHORAGE, ALASKA 99501
ph: (907) 277-8899 fax: (907) 277-9001

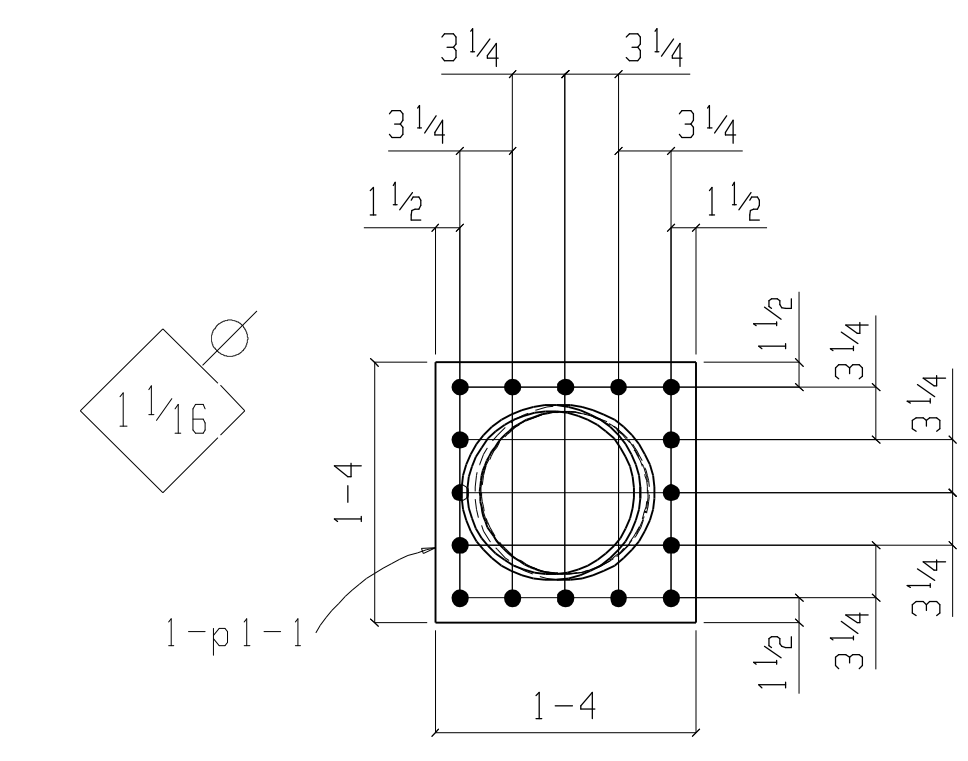
REVISIONS			PROJECT	
NO.	DATE	BY	SEWARD ST RECONSTRUCTION	
1			CONTRACTOR	
2			ARETE CONSTRUCTION	DATE: RRP DATE: KB
3				09-07-05
4			DESCRIPTION	
5			COLUMN SECTIONS	DWG NO: E2



ONE COLUMN C1



Section A-A
C1



Section B-B
C1

BILL OF MATERIAL

QTY	Piece	QTY	Weight			
total	Mark	unit	Description	Length	Remarks	Unit
ONE	C1	COLUMN				814.2
1	C1	1	PIPE 10 STD	15	8 1/16 A53B	634.4
1	p1-1	1	PL 2 1/2 x 16	1	4 A36	154.3
3	p2-1	3	PL 3/8 x 4	0	6 A36	2.7
1	p3-1	1	RPL 1/4 x 10 3/4	1	4 A36	6.4
1	p4-1	1	RB10	0	2 13/16 A36	11.4
Total weight : 814						

DETAILING: FABRICATION TECHNICAL SERVICES, INC.
 JOB 1171 1839 S. GREENSFERRY RD, COEUR D'ALENE, ID 83814
 (208) 457-8282 fax: (208) 457-8208

NOTES
 HOLES 1 3/16" DIA U.N.D. W.P. (TAILS)
 WELD 1/4 FILLET U.N.D. (E70XX)
 FINISH GALV PER A153

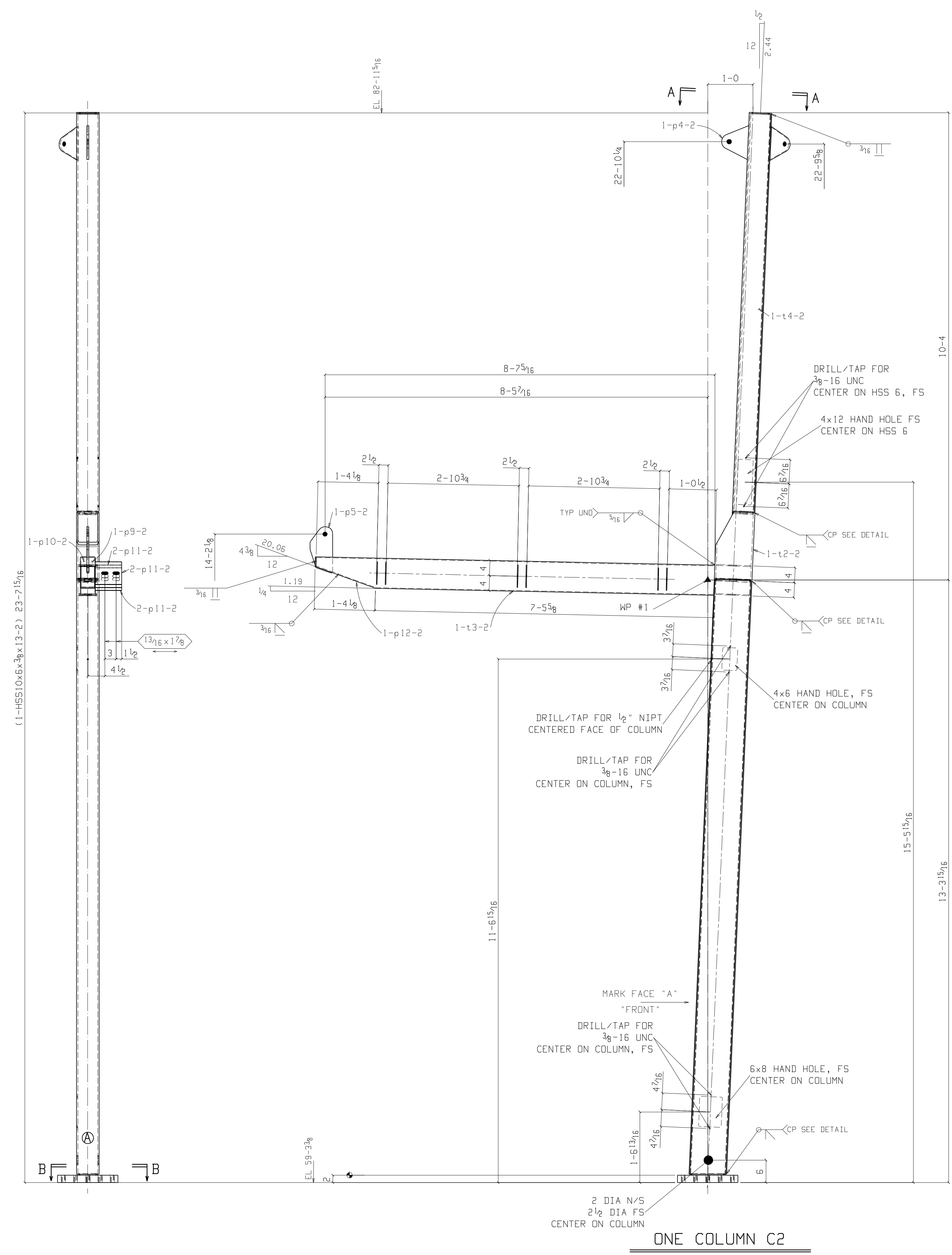
ALASKA METAL GOODS, INC.
 1101 H. STREET
 ANCHORAGE, ALASKA 99501
 ph: (907) 277-8899 fax: (907) 277-9001

REVISIONS		PROJECT	
NO.	DATE	BY	DESCRIPTION
1	2-20-06	KB	SEWARD STREET RECONSTRUCTION
2			ARETE CONSTRUCTION
3			
4			
6			CANOPY COLUMN

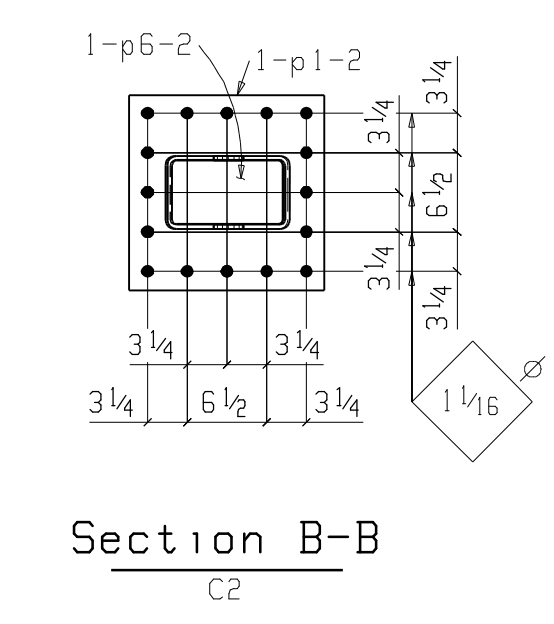
DATE: 09-07-05
 JOB NO:
 DWG NO: 1

BILL OF MATERIAL

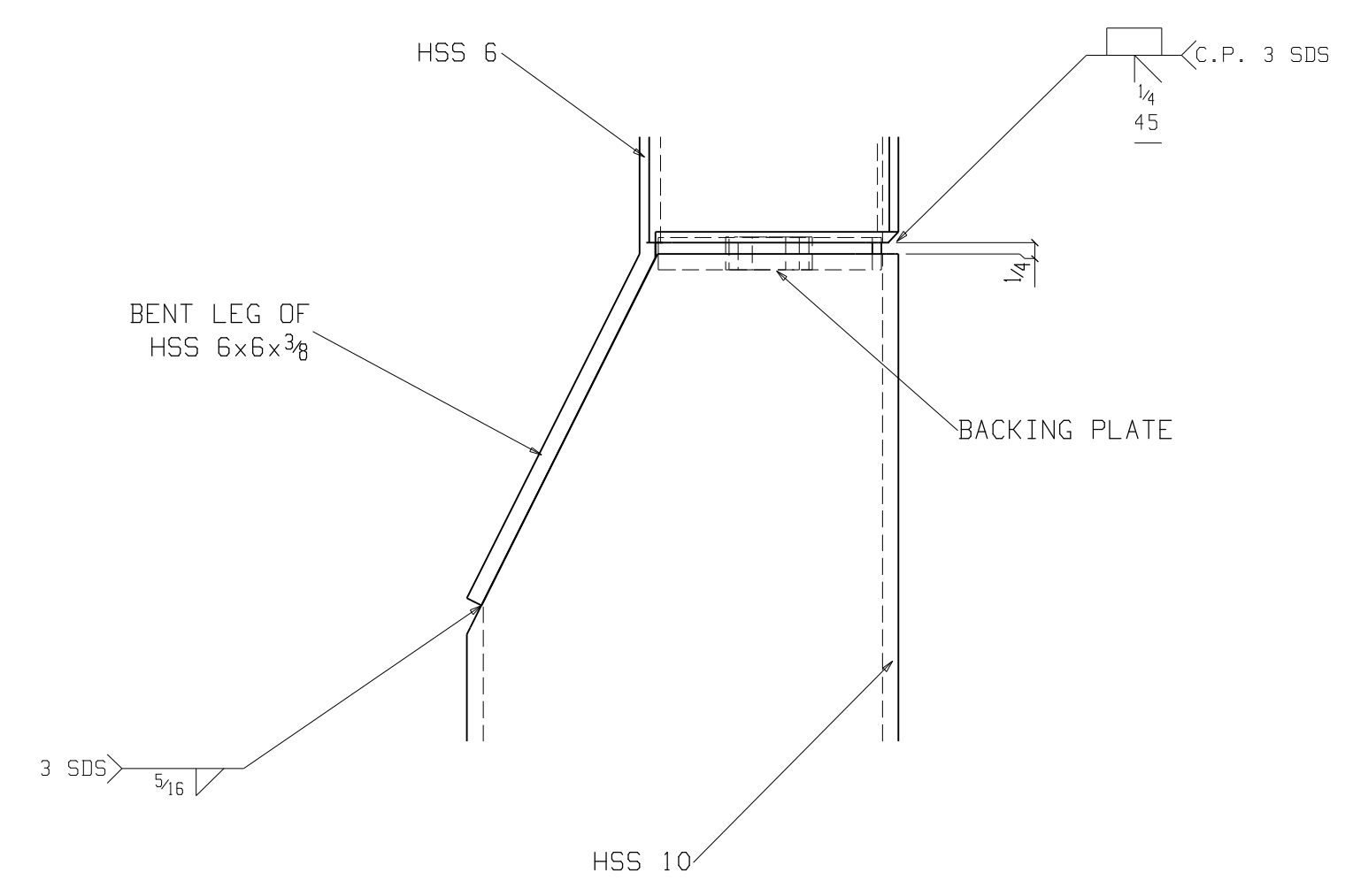
QTY	Piece	QTY	Description	Length	Remarks	Weight	
total	Mark	unit					
ONE	C2		COLUMN			1169.3	
1	t1-2	1	HSS10x6x3/8	13	A500B	496.3	
1	t2-2	1	HSS10x6x3/8	1	53/4	55.7	
1	t3-2	1	HSS8x4x3/8	8	93/8	127.9	
1	t4-2	1	HSS6x6x3/8	9	71/8	263.6	
1	p1-2	1	PL2x16	1	4	A36	145.2
2	p2-2	2	PL3/4x51/2	0	93/16	A36	20.0
1	p3-2	1	PL3/4x51/2	0	53/16	A36	5.6
2	p4-2	2	PL1/2x73/16	0	9	A36	11.3
1	p5-2	1	PL1/2x6	1	03/8	A36	10.5
1	p6-2	1	PL1/2x53/16	0	93/16	A36	6.8
1	p7-2	1	PL1/4x6	0	6	A36	2.6
2	p8-2	2	PL1/4x51/2	0	93/16	A36	6.7
1	p9-2	1	PL1/4x13/4	0	23/16	A36	0.3
1	p10-2	1	PL1/4x13/4	0	23/16	A36	0.3
6	p11-2	6	PL3/16x6	0	7	A36	13.4
1	p12-2	1	PL3/16x33/16	1	43/16	A36	3.1



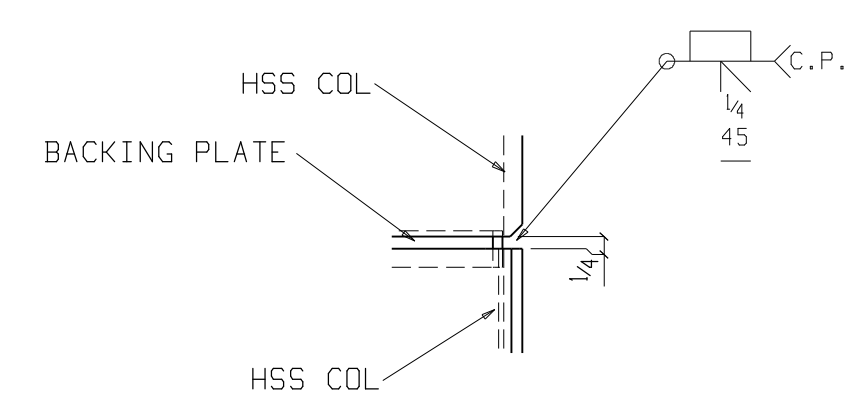
Section A-A
C2



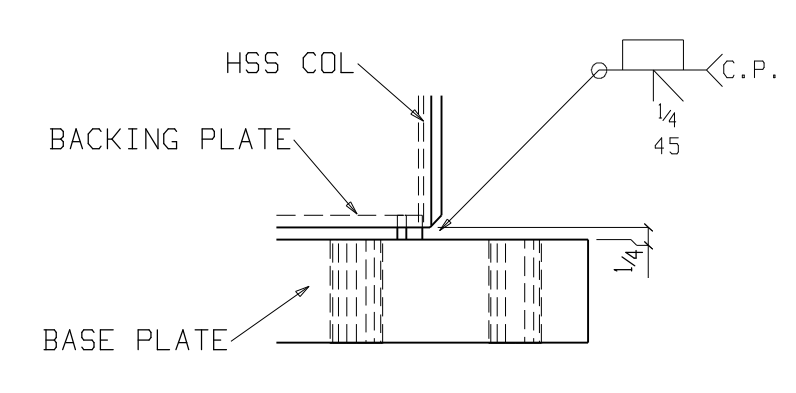
Section B-B
C2



TRANSITION WELDS



CP WELD @ 3/8 COL/COL



CP WELD @ COL BASE

Total weight : 1169

DETAILING: FABRICATION TECHNICAL SERVICES, INC.
JOB 1171 1839 S. GREENSFERRY RD, COEUR D'ALENE, ID 83814
(208) 457-8282 fax: (208) 457-8208

NOTES
HOLES 1 3/16" DIA U.N.O. W.P. (TAILS)
WELD 1/4 FILLET U.N.O. (E70XX)
FINISH GALV PER A153

ALASKA METAL GOODS, INC.
1101 H. STREET
ANCHORAGE, ALASKA 99501
ph: (907) 277-8899 fax: (907) 277-9001

NO.	DATE	BY	PROJECT	CONTRACTOR	DATE	DRW: RRP	DRW: KB
1	2-20-06	KB	SEWARD STREET RECONSTRUCTION	ARETE CONSTRUCTION			09-07-05
2							
3							
4							
6			CANOPY COLUMN				2

BILL OF MATERIAL

QTY	Piece	QTY	Description	Length	Remarks	Weight
total	Mark	unit				
ONE	C3		COLUMN			1384.4
1	t1-3	1	HSS10x6x3/8	13	011/16	A500B 492.1
1	t2-3	1	HSS10x6x3/8	3	913/16	A500B 143.9
1	t2-2	1	HSS10x6x3/8	1	53/4	A500B 55.7
1	t3-3	1	HSS8x4x3/8	8	81/2	A500B 126.5
1	t4-3	1	HSS8x4x3/8	8	73/16	A500B 125.0
1	t5-3	1	HSS6x6x3/8	6	3	A500B 171.7
1	p1-2	1	PL2x16	1	4	A36 145.2
2	p2-2	2	PL3/4x51/8	0	93/16	A36 20.0
1	p3-2	1	PL3/4x51/8	0	53/16	A36 5.6
2	p4-2	2	PL1/2x71/8	0	9	A36 11.3
1	p5-2	1	PL1/2x6	1	03/8	A36 10.5
1	p1-3	1	PL1/2x6	1	41/4	A36 13.8
1	p6-2	1	PL1/2x53/16	0	93/16	A36 6.8
4	p2-3	4	PL1/2x11/2	0	71/4	A36 6.2
1	p7-2	1	PL1/4x6	0	6	A36 2.6
4	p8-2	4	PL1/4x51/8	0	93/16	A36 13.4
2	p10-2	2	PL1/4x13/4	0	23/16	A36 0.6
2	p9-2	2	PL1/4x13/4	0	23/16	A36 0.6
12	p11-2	12	PL3/16x6	0	7	A36 26.8
2	p12-2	2	PL3/16x33/16	1	43/16	A36 6.1

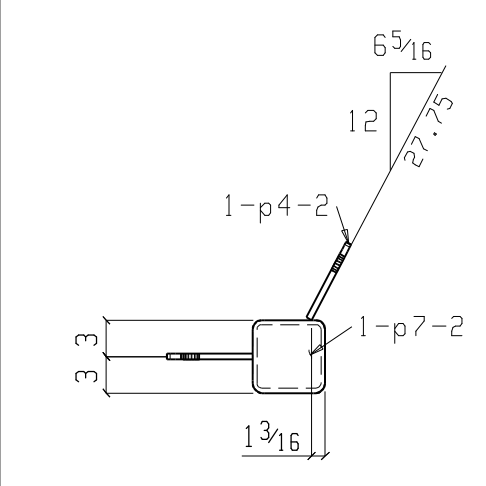
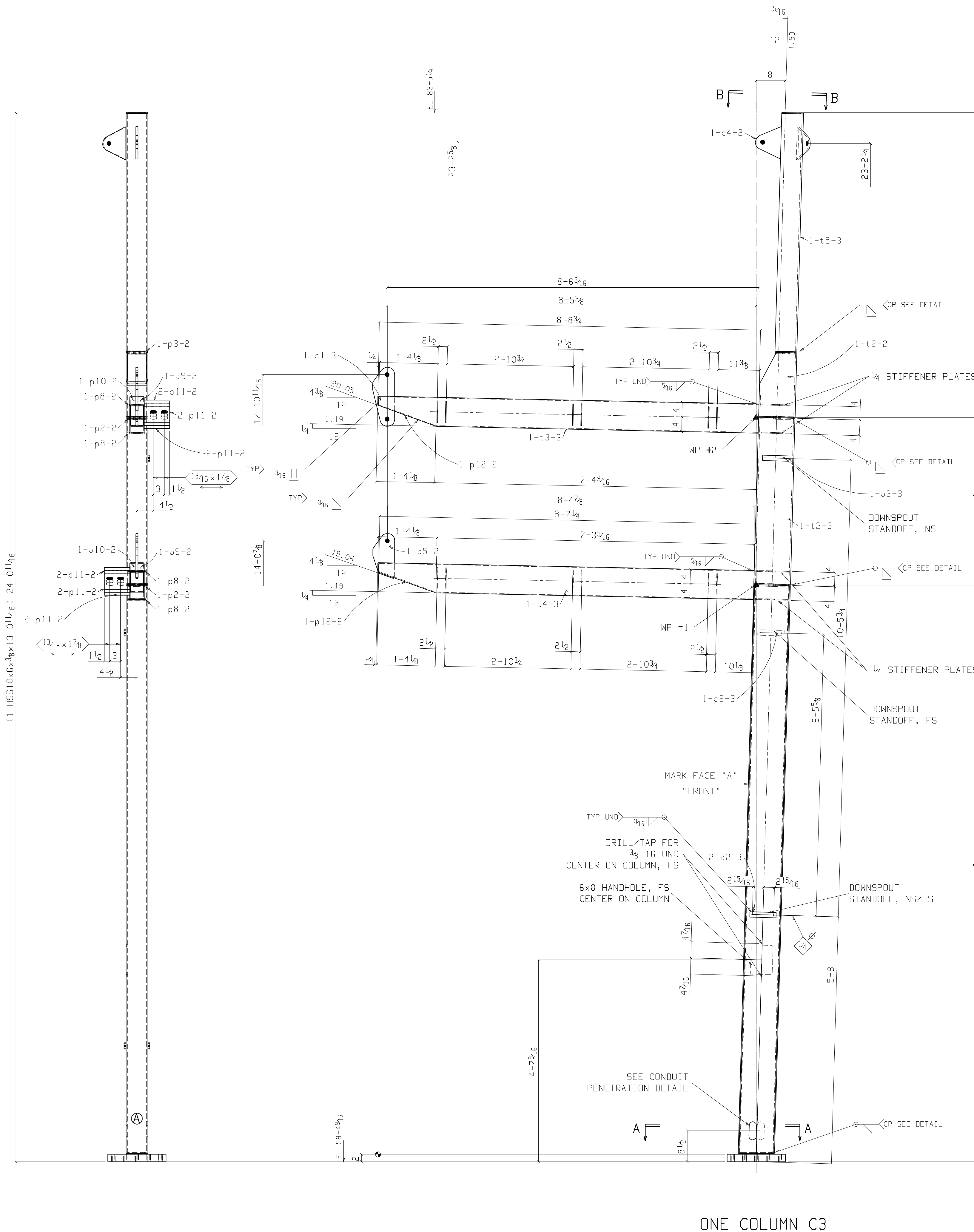
Total weight : 1384

DETAILING: FABRICATION TECHNICAL SERVICES, INC.
 JOB 1171 1839 S. GREENSFERRY RD, COEUR D'ALENE, ID 83814
 (208) 457-8282 fax: (208) 457-8208

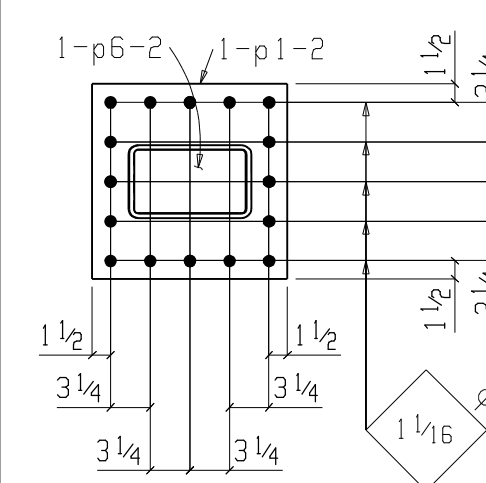
NOTES
 HOLES 13/16" DIA U.N.D. W.P. (TAILS)
 WELD 1/4 FILLET U.N.D. (E70XX)
 FINISH GALV PER A153

ALASKA METAL GOODS, INC.
 1101 H. STREET
 ANCHORAGE, ALASKA 99501
 ph: (907) 277-8899 fax: (907) 277-9001

NO.	DATE	BY	PROJECT	CONTRACTOR	DATE	DATE	DATE
1	2-20-06	KB	SEWARD STREET RECONSTRUCTION	ARETE CONSTRUCTION			
2							
3							
4							
6							

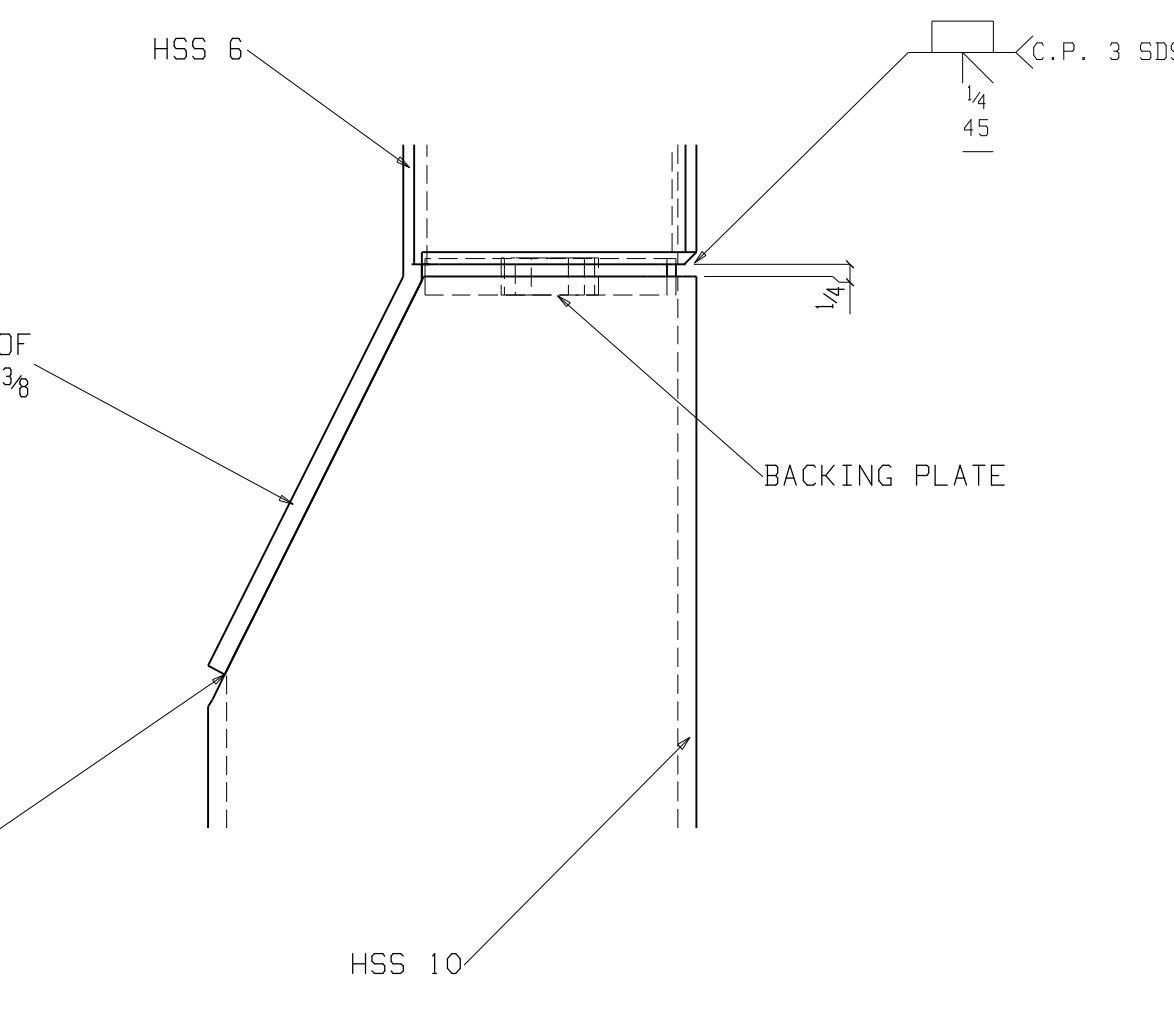
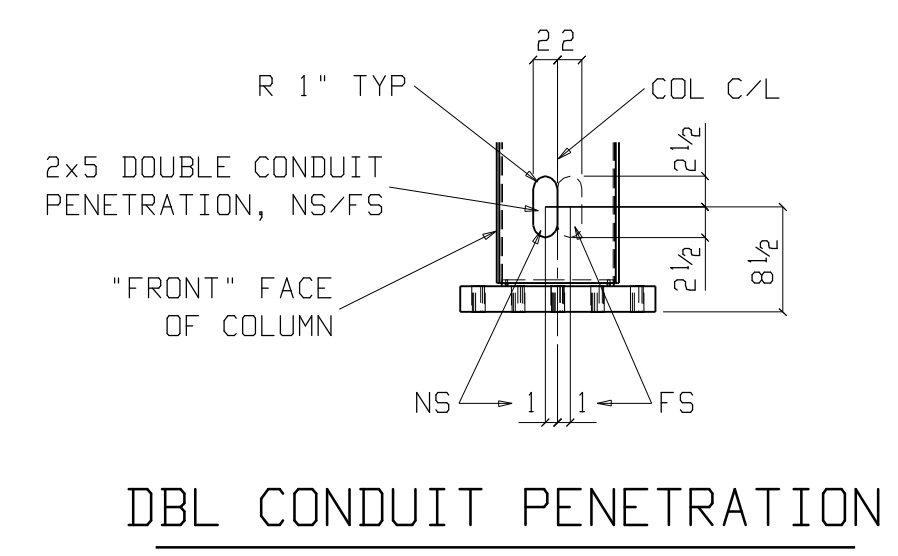


Section B-B
C3

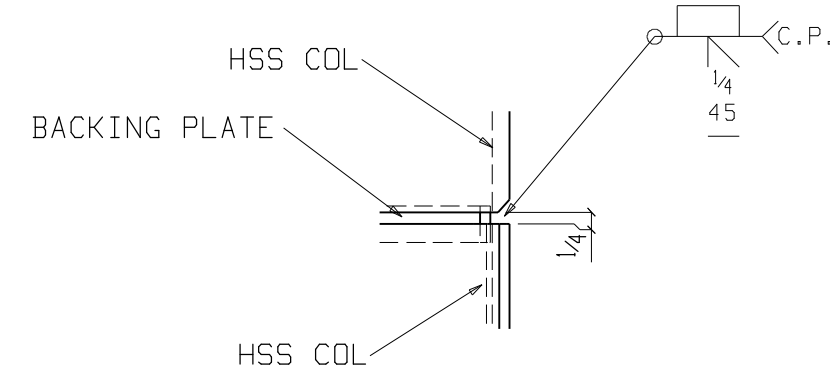


Section A-A
C3

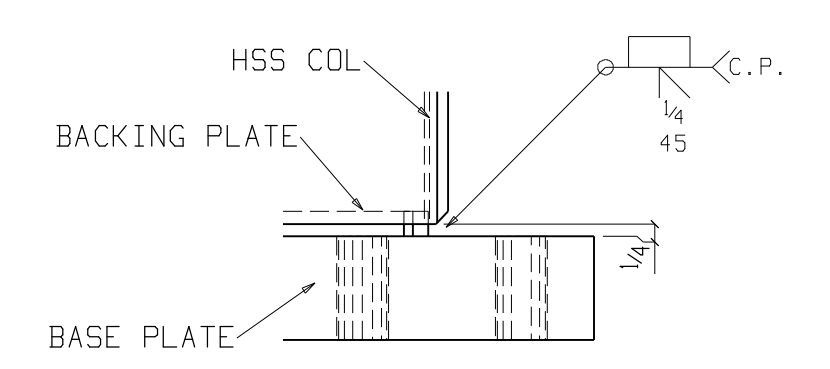
ONE COLUMN C3



TRANSITION WELDS



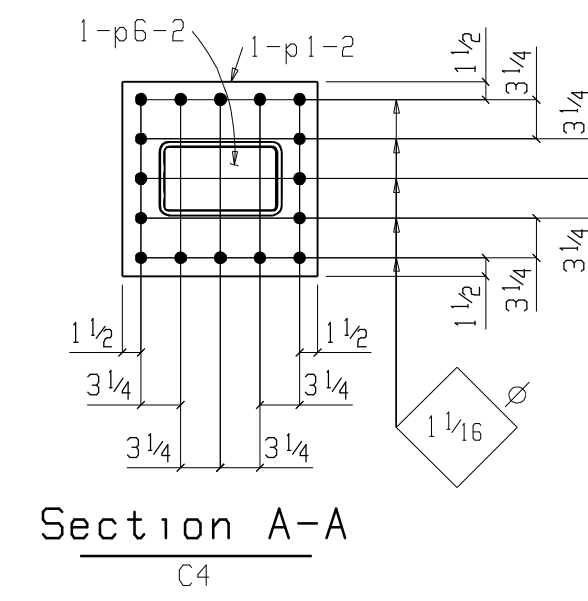
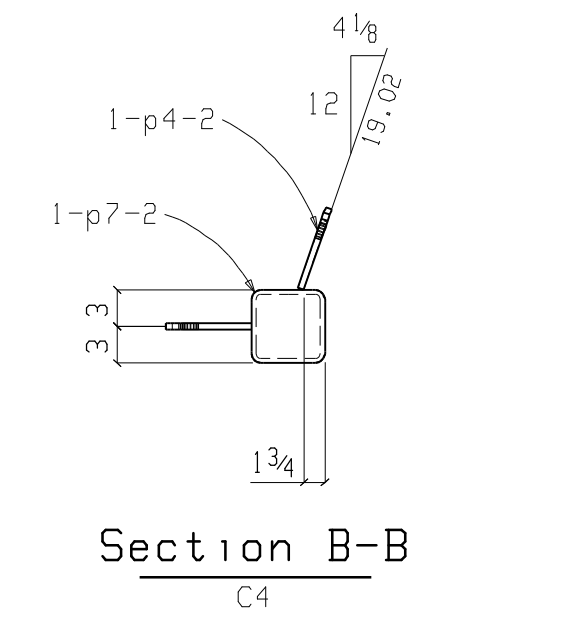
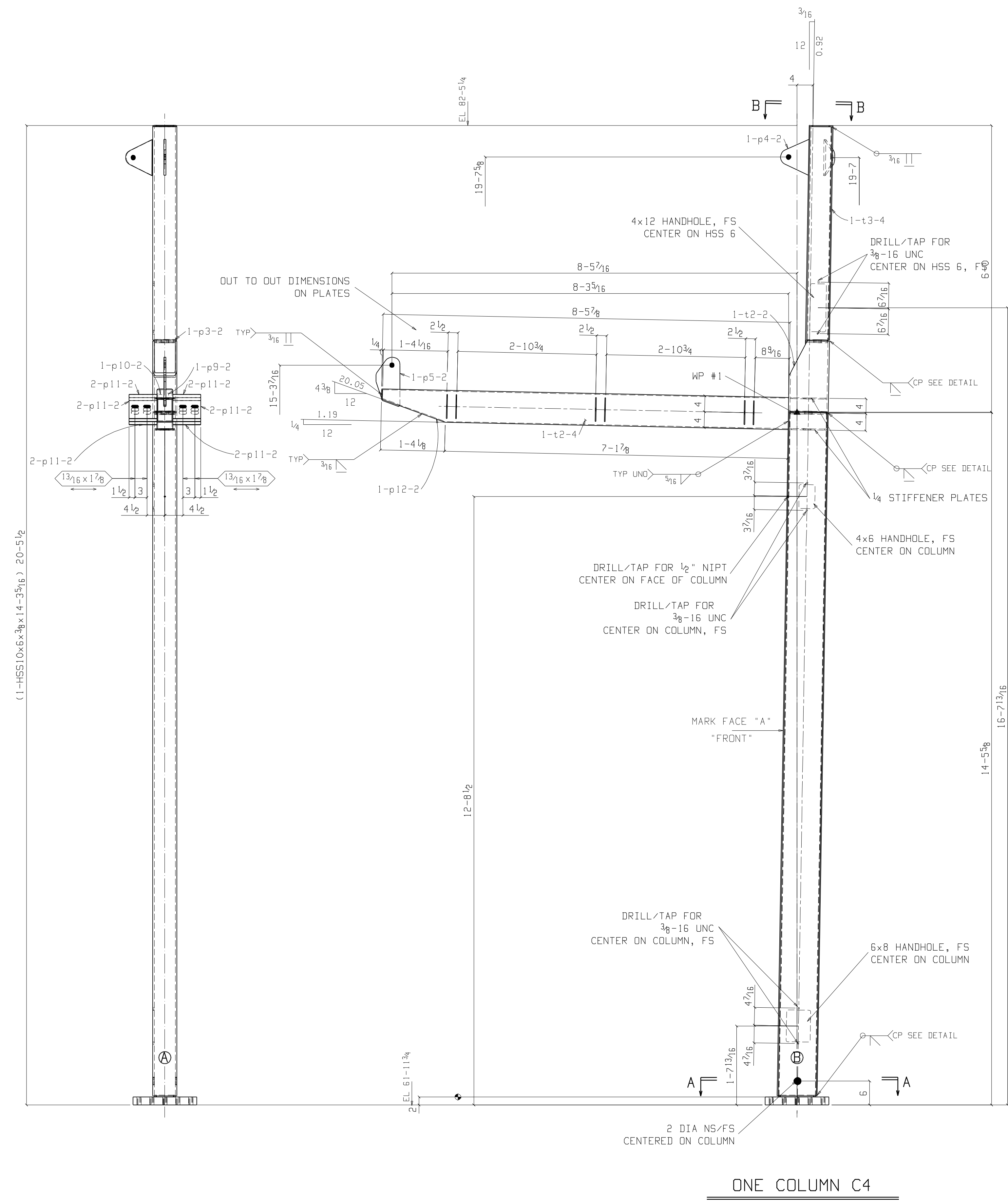
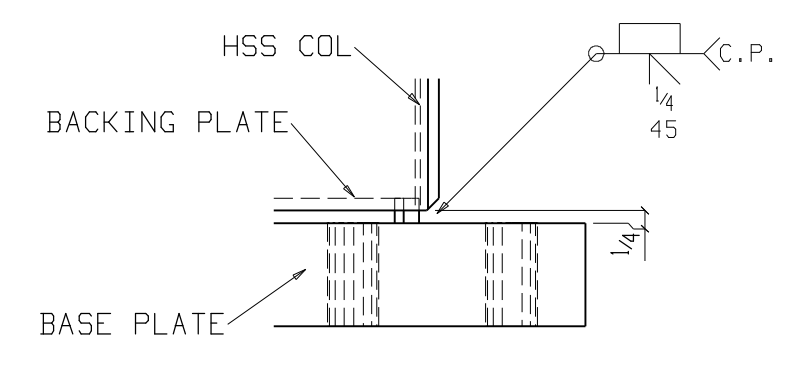
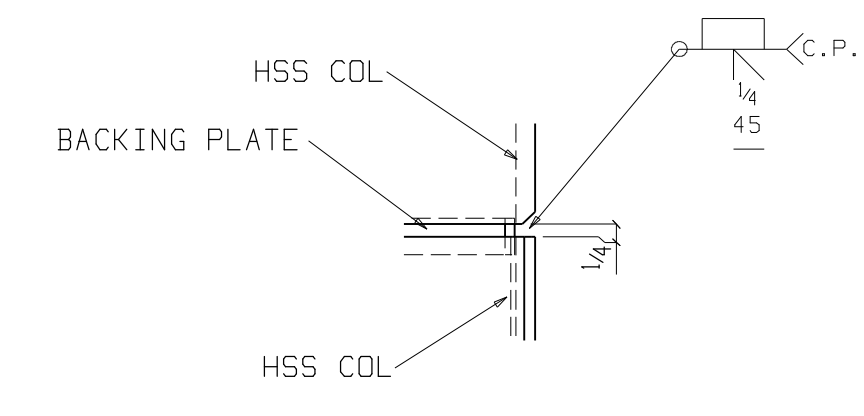
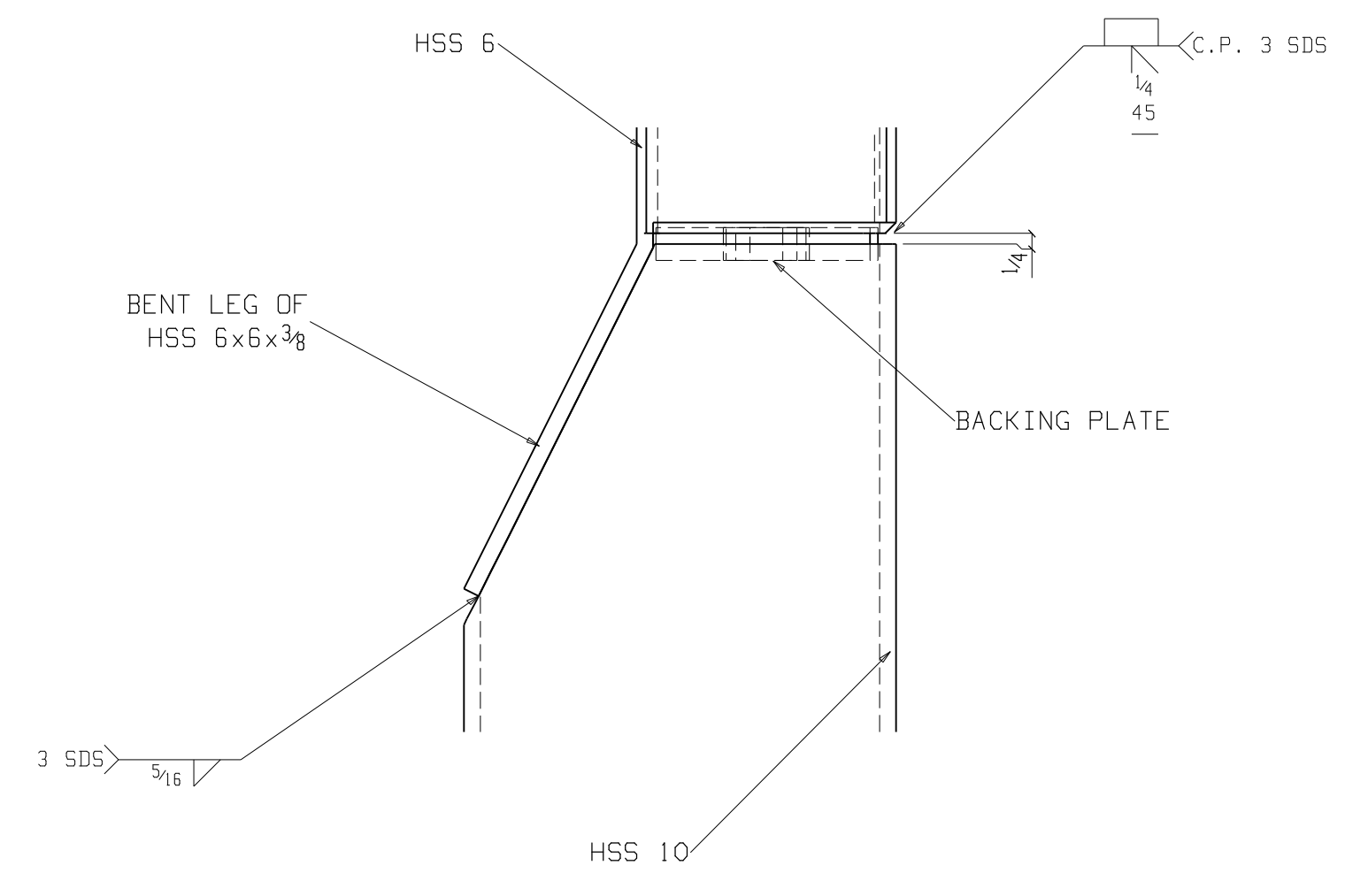
CP WELD @ 3/8 COL/COL



CP WELD @ COL BASE

BILL OF MATERIAL

QTY	Piece	QTY	Description	Length	Remarks	Weight
total	Mark	unit				
ONE	C4		COLUMN			1090.2
1	t1-4	1	HSS10x6x3/8	14	3/16	A500B 538.1
1	t2-2	1	HSS10x6x3/8	1	5/8	A500B 55.7
1	t2-4	1	HSS8x4x3/8	8	5/16	A500B 123.1
1	t3-4	1	HSS6x6x3/8	5	2 15/16	A500B 144.1
1	p1-2	1	PL2x16	1	4	A36 145.2
1	p2-2	1	PL3/4x5 1/8	0	9 3/16	A36 10.0
1	p3-2	1	PL3/4x5 1/8	0	5 3/16	A36 5.6
2	p4-2	2	PL 1/2 x 7 3/16	0	9	A36 11.3
1	p5-2	1	PL 1/2 x 6	1	0 3/8	A36 10.5
1	p6-2	1	PL 1/2 x 5 3/16	0	9 3/16	A36 6.8
1	p7-2	1	PL 1/4 x 6	0	6	A36 2.6
2	p8-2	2	PL 1/4 x 5 1/8	0	9 3/16	A36 6.7
1	p9-2	1	PL 1/4 x 1 3/4	0	2 3/16	A36 0.3
1	p10-2	1	PL 1/4 x 1 3/4	0	2 3/16	A36 0.3
12	p11-2	12	PL 3/16 x 6	0	7	A36 26.8
1	p12-2	1	PL 3/16 x 3 3/16	1	4 3/16	A36 3.1



Total weight : 1090

DETAILING: FABRICATION TECHNICAL SERVICES, INC.
JOB 1171 1839 S. GREENSFERRY RD, COEUR D'ALENE, ID 83814
(208) 457-8282 fax: (208) 457-8208

NOTES
HOLES 13/16" DIA U.N.O. W.P. (TAILS)
WELD 1/4 FILLET U.N.O. (E70XX)
FINISH GALV PER A153

ALASKA METAL GOODS, INC.
1101 H. STREET
ANCHORAGE, ALASKA 99501
ph: (907) 277-8899 fax: (907) 277-9001

NO.	DATE	BY	PROJECT
1	2-20-06	KB	SEWARD STREET RECONSTRUCTION
2			ARETE CONSTRUCTION
3			
4			
6			CANOPY COLUMN

BILL OF MATERIAL

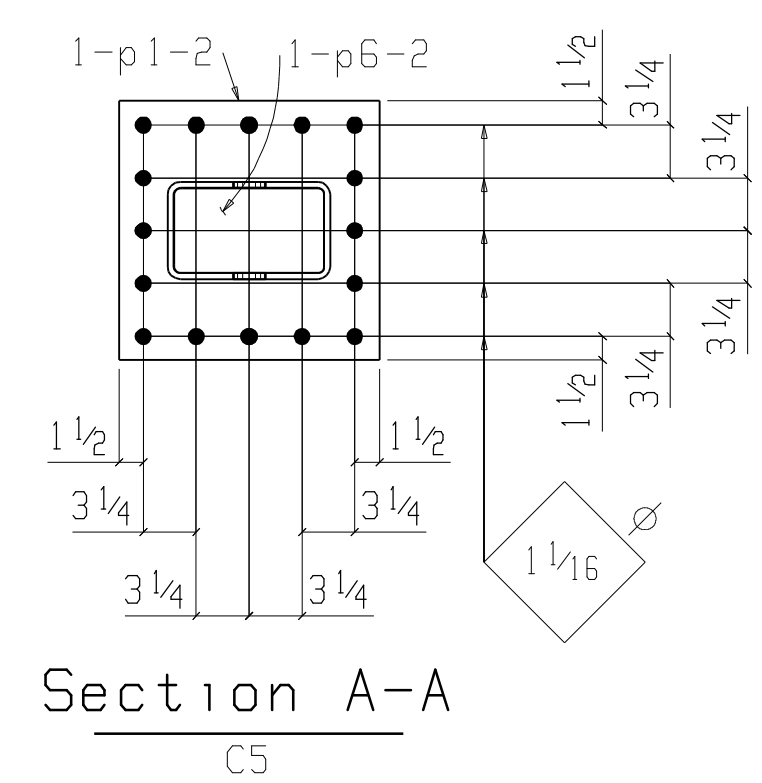
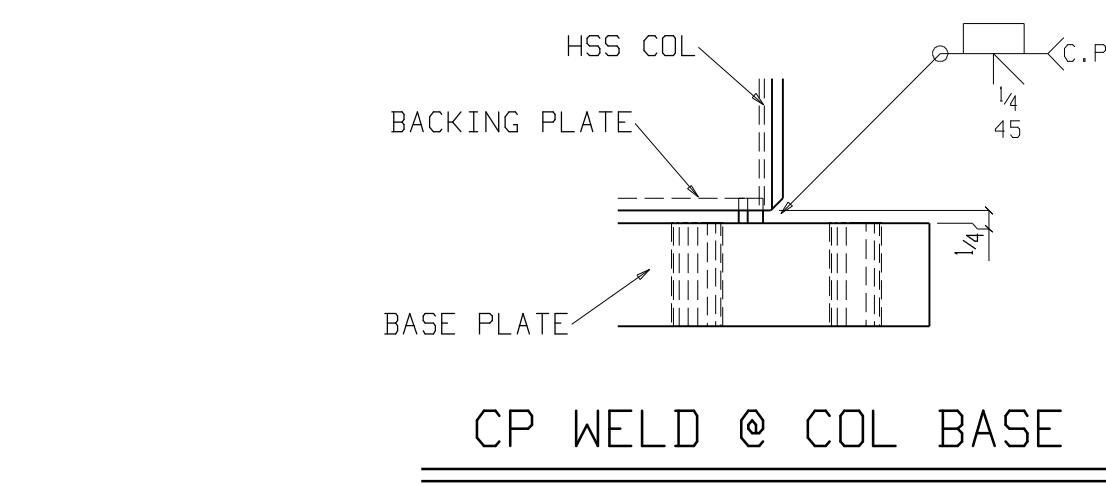
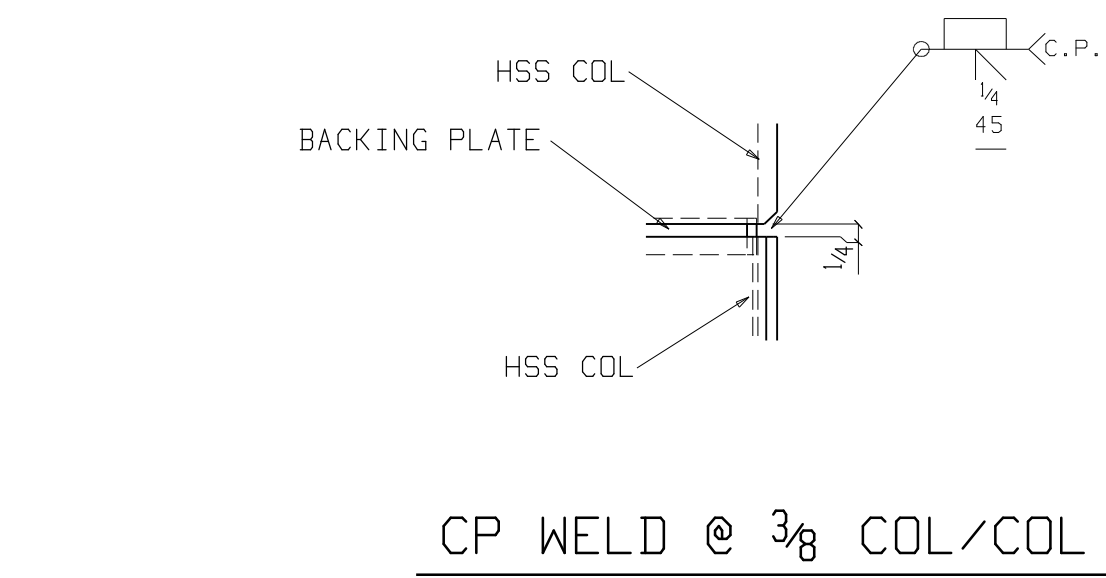
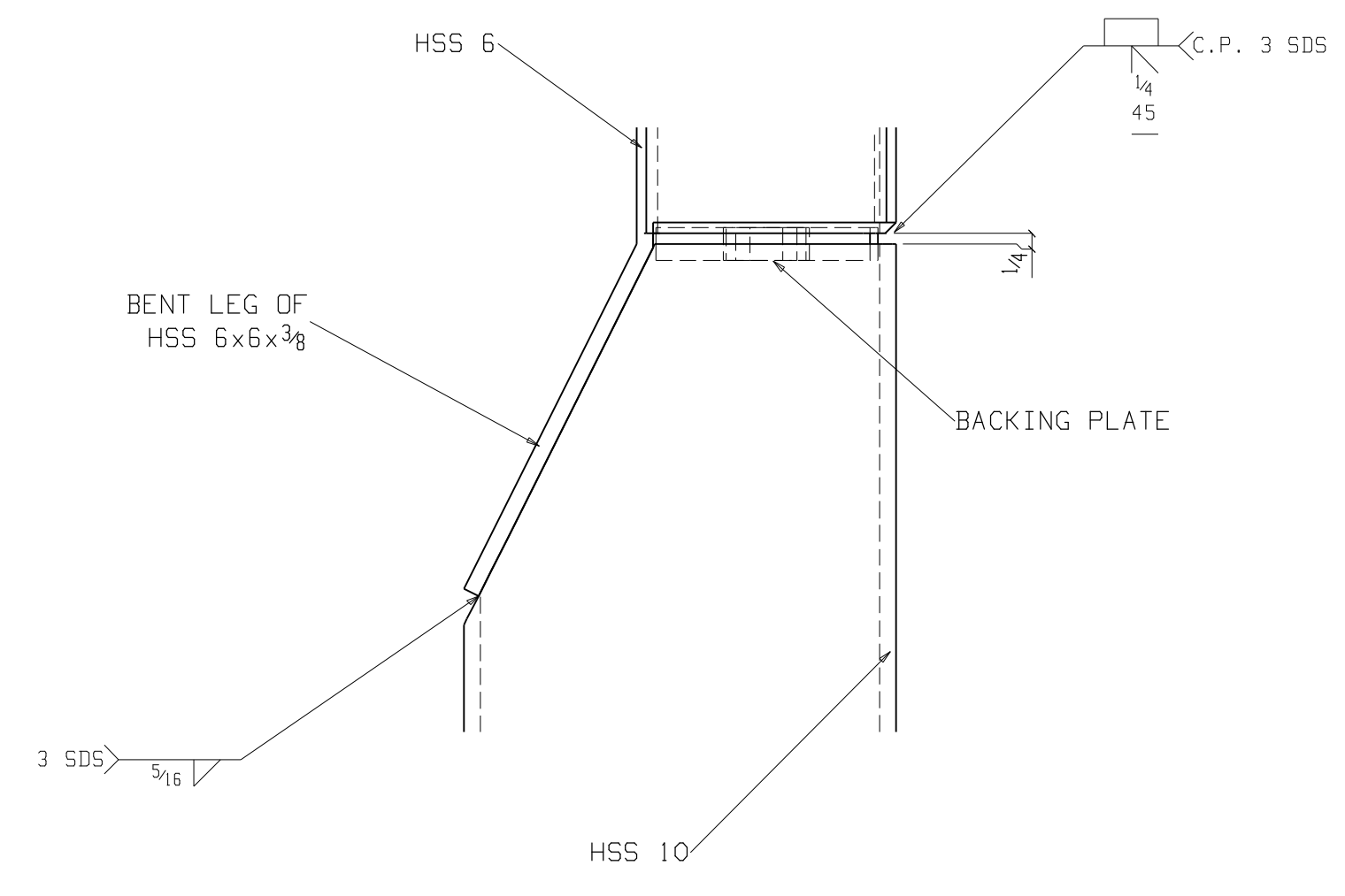
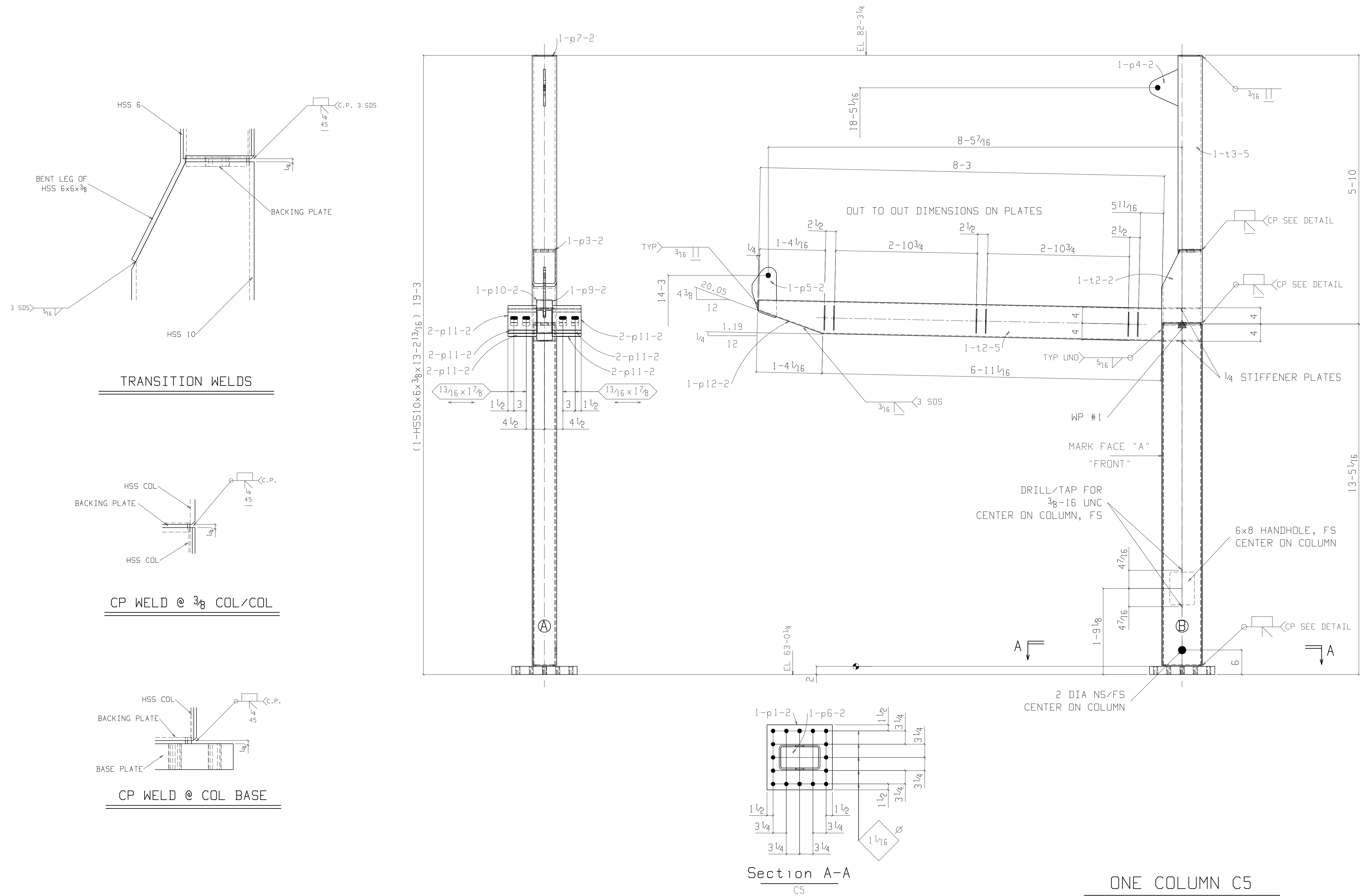
QTY	Piece	QTY	Description	Length	Remarks	Weight
total	Mark	unit				
ONE	C5		COLUMN			1037.3
1	t1-5	1	HSS10x6x3/8	13	2 13/16	A500B 498.8
1	t2-2	1	HSS10x6x3/8	1	5 3/4	A500B 55.7
1	t2-5	1	HSS8x4x3/8	8	2 13/16	A500B 119.8
1	t3-5	1	HSS6x6x3/8	5	0 15/16	A500B 139.5
1	p1-2	1	PL2x16	1	4	A36 145.2
1	p2-2	1	PL3/4x5 1/2	0	9 3/16	A36 10.0
1	p3-2	1	PL3/4x5 1/2	0	5 3/16	A36 5.6
1	p4-2	1	PL1/2x7 3/16	0	9	A36 5.6
1	p5-2	1	PL1/2x6	1	0 3/8	A36 10.5
1	p6-2	1	PL1/2x5 3/16	0	9 3/16	A36 6.8
1	p7-2	1	PL1/4x6	0	6	A36 2.6
2	p8-2	2	PL1/4x5 1/2	0	9 3/16	A36 6.7
1	p10-2	1	PL1/4x1 3/4	0	2 3/16	A36 0.3
1	p9-2	1	PL1/4x1 3/4	0	2 3/16	A36 0.3
12	p11-2	12	PL3/16x6	0	7	A36 26.8
1	p12-2	1	PL3/16x3 9/16	1	4 3/16	A36 3.1
Total weight : 1037						

DETAILING: FABRICATION TECHNICAL SERVICES, INC.
 JOB 1171 1839 S. GREENSFERRY RD, COEUR D'ALENE, ID 83814
 (208) 457-8282 fax: (208) 457-8208

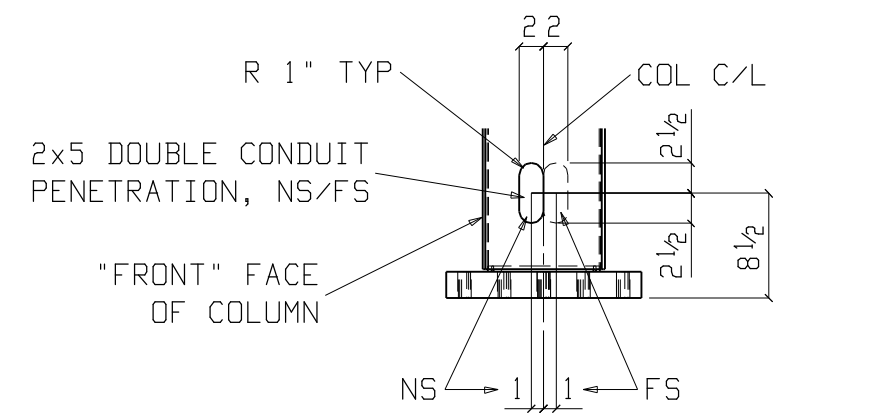
NOTES
 HOLES 1 3/16" DIA U.N.D. W.P. (TAILS)
 WELD 1/4 FILLET U.N.D. (E70XX)
 FINISH GALV PER A153

ALASKA METAL GOODS, INC.
 1101 H. STREET
 ANCHORAGE, ALASKA 99501
 ph: (907) 277-8899 fax: (907) 277-9001

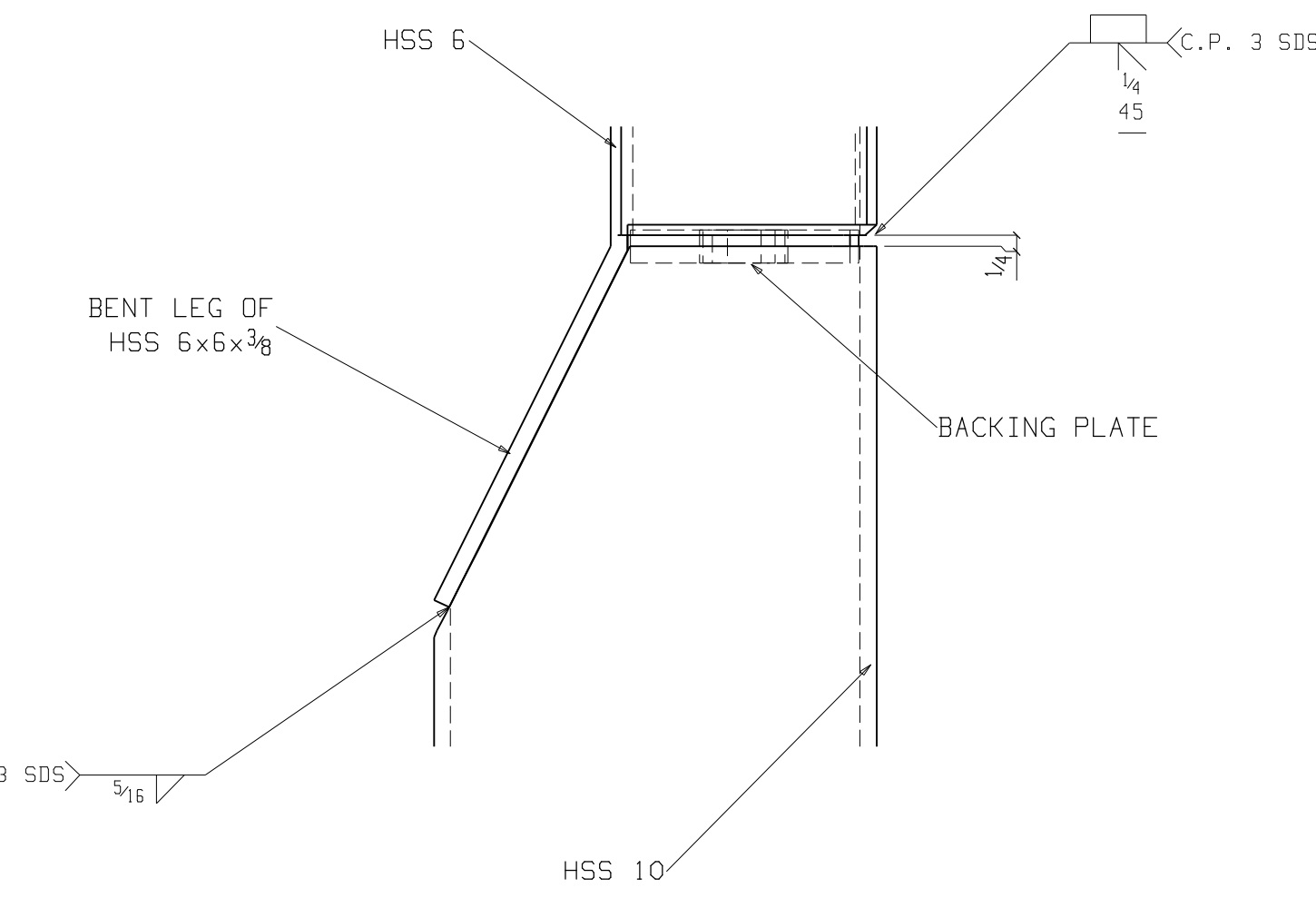
REVISIONS			PROJECT	
NO.	DATE	BY	DESCRIPTION	DATE
1	2-20-06	KB	SEWARD STREET RECONSTRUCTION	
2			ARETE CONSTRUCTION	09-07-05
3				
4				
6			CANOPY COLUMN	



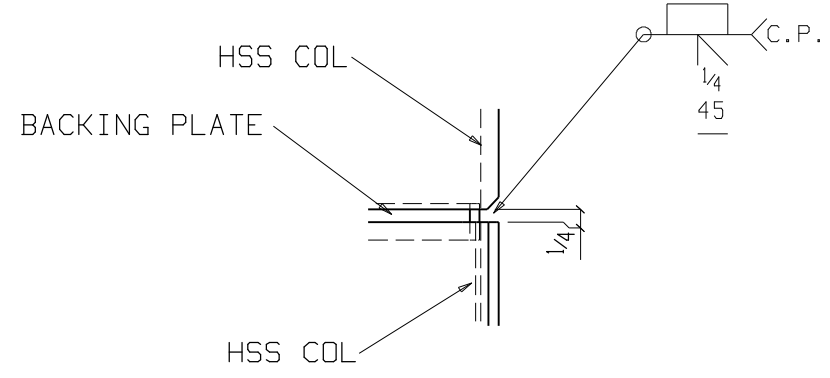
ONE COLUMN C5



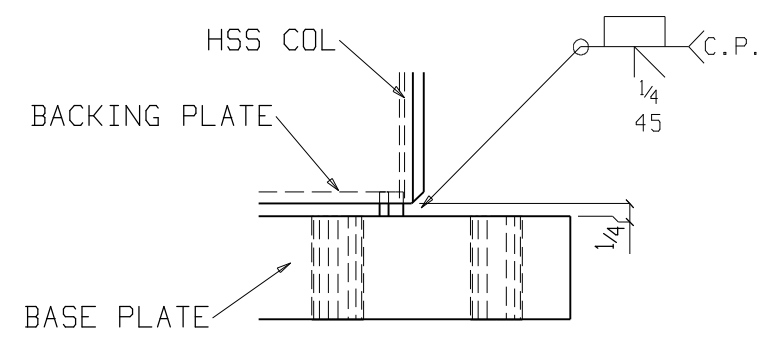
DBL CONDUIT PENETRATION



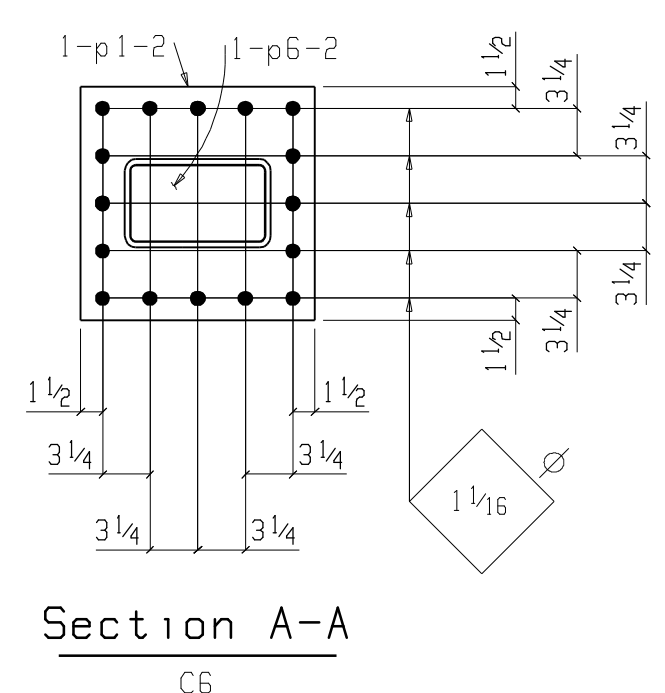
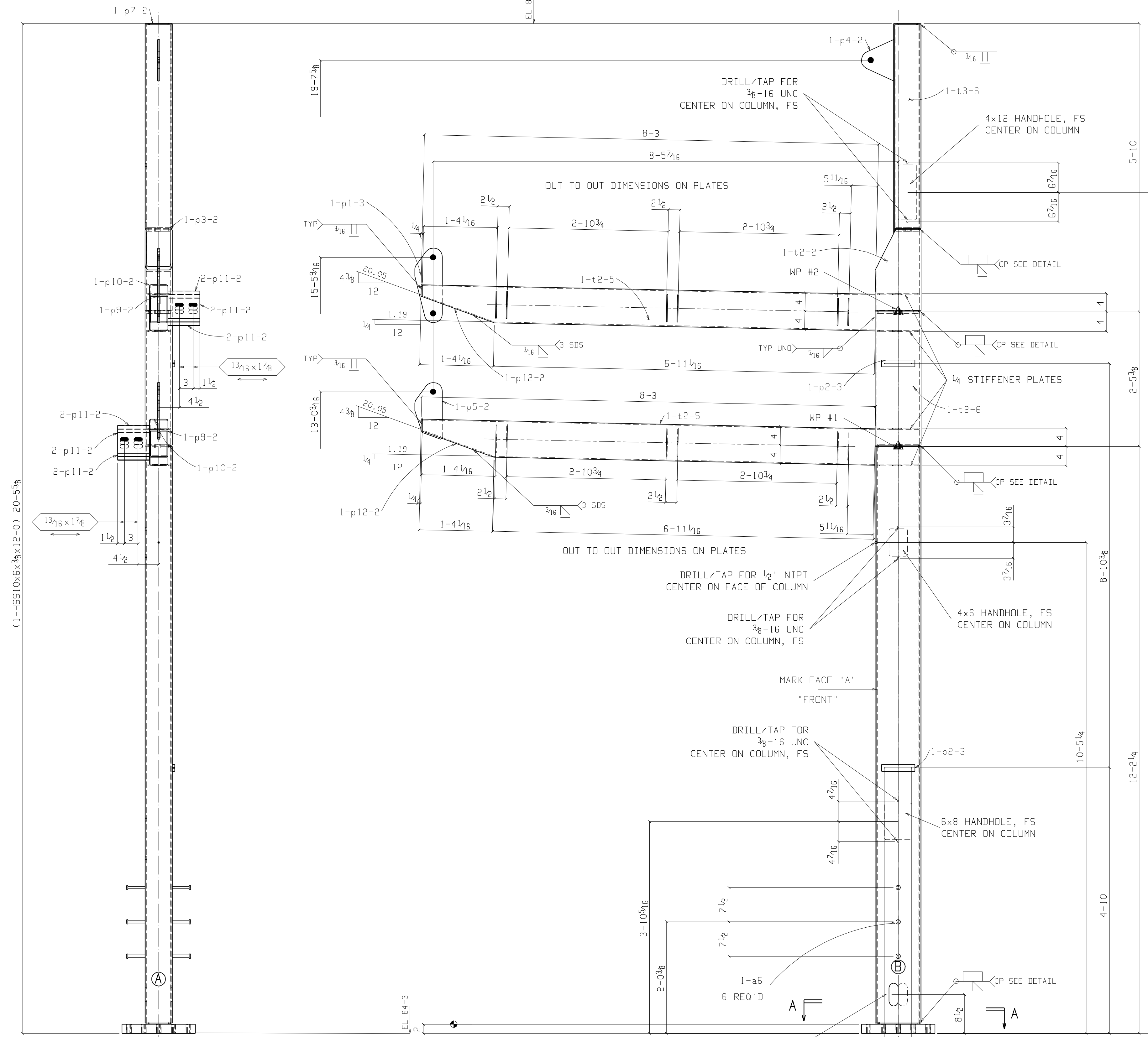
TRANSITION WELDS



CP WELD @ 3/8 COL/COL



CP WELD @ COL BASE



ONE COLUMN C6

BILL OF MATERIAL

QTY	Piece	QTY	Description	Length	Remarks	Weight
total	Mark	unit				Unit
ONE	C6		COLUMN			1240.9
1	t1-6	1	HSS10x6x3/8	12 0	A500B	452.3
1	t2-6	1	HSS10x6x3/8	2 5/8	A500B	91.5
1	t2-2	1	HSS10x6x3/8	1 5/8	A500B	55.7
2	t2-5	2	HSS8x4x3/8	8 2 15/16	A500B	239.6
1	t3-6	1	HSS6x6x3/8	5 0 15/16	A500B	139.5
1	p1-2	1	PL 2x16	1 4	A36	145.2
2	p2-2	2	PL 3/4x5 1/8	0 9 3/16	A36	20.0
1	p3-2	1	PL 3/4x5 1/8	0 5 3/16	A36	5.6
1	p4-2	1	PL 1/2x7 3/16	0 9	A36	5.6
1	p5-2	1	PL 1/2x6	1 0 3/8	A36	10.5
1	p1-3	1	PL 1/2x6	1 4 1/4	A36	13.8
1	p3-2	1	PL 1/4x5 3/16	0 9 3/16	A36	6.8
2	p2-3	2	PL 1/2x1 1/2	0 7 1/4	A36	3.1
1	p7-2	1	PL 1/4x6	0 6	A36	2.6
4	p8-2	4	PL 1/4x5 1/8	0 9 3/16	A36	13.4
2	p9-2	2	PL 1/4x1 3/4	0 2 3/16	A36	0.6
2	p10-2	2	PL 1/4x1 3/4	0 2 3/16	A36	0.6
12	p11-2	12	PL 3/16x6	0 7	A36	26.8
2	p12-2	2	PL 3/16x3 3/16	1 4 3/16	A36	6.1
6	a6	6	H5 1/2	0 4		1.6
Total weight : 1241						

DETAILING: FABRICATION TECHNICAL SERVICES, INC.
 JOB 1171 1839 S. GREENSFERRY RD, COEUR D'ALENE, ID 83814
 (208) 457-8282 fax: (208) 457-8208

NOTES
 HOLES 1 3/16" DIA U.N.D. W.P. (TAILS)
 WELD 1/4 FILLET U.N.D. (E70XX)
 FINISH GALV PER A153

ALASKA METAL GOODS, INC.
 1101 H. STREET
 ANCHORAGE, ALASKA 99501
 ph: (907) 277-8899 fax: (907) 277-9001

REVISIONS			PROJECT	
NO.	DATE	BY	NO.	DATE
1	2-20-06	KB	1	09-07-05
2			CONTRACTOR	
3			ARETE CONSTRUCTION	
4			DESCRIPTION	
6			CANOPY COLUMN	

BILL OF MATERIAL

QTY	Piece	QTY	Description	Length	Remarks	Weight
total	Mark	unit				Unit
ONE	C8		COLUMN			996.9
1	t1-8	1	HSS10x6x3/8	12	1 7/16	A500B 456.8
1	t2-2	1	HSS10x6x3/8	1	5 3/4	A500B 55.7
1	t2-5	1	HSS8x4x3/8	8	2 13/16	A500B 119.8
1	t2-8	1	HSS6x6x3/8	5	0 15/16	A500B 139.5
1	p1-2	1	PL2x16	1	4	A36 145.2
1	p2-2	1	PL3/4x5 1/8	0	9 3/16	A36 10.0
1	p3-2	1	PL3/4x5 1/8	0	5 3/16	A36 5.6
1	p4-2	1	PL1/2x7 3/16	0	9	A36 5.6
1	p5-2	1	PL1/2x6	1	0 8	A36 10.5
1	p6-2	1	PL1/2x5 3/16	0	9 3/16	A36 6.8
1	p7-2	1	PL1/4x6	0	6	A36 2.6
2	p8-2	2	PL1/4x5 1/8	0	9 3/16	A36 6.7
1	p10-2	1	PL1/4x1 3/4	0	2 3/16	A36 0.3
1	p9-2	1	PL1/4x1 3/4	0	2 3/16	A36 0.3
12	p11-2	12	PL3/16x6	0	7	A36 26.8
1	p12-2	1	PL3/16x3 9/16	1	4 3/16	A36 3.1
6	a6	6	HS1/2	0	4	1.6
Total weight : 997						

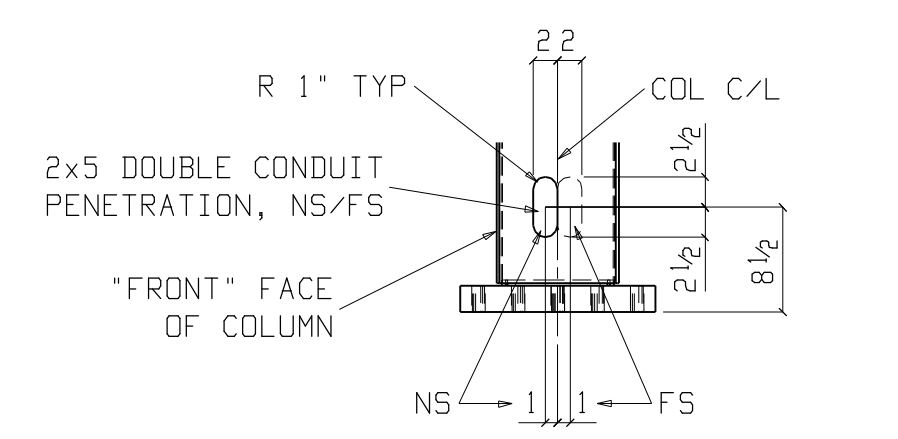
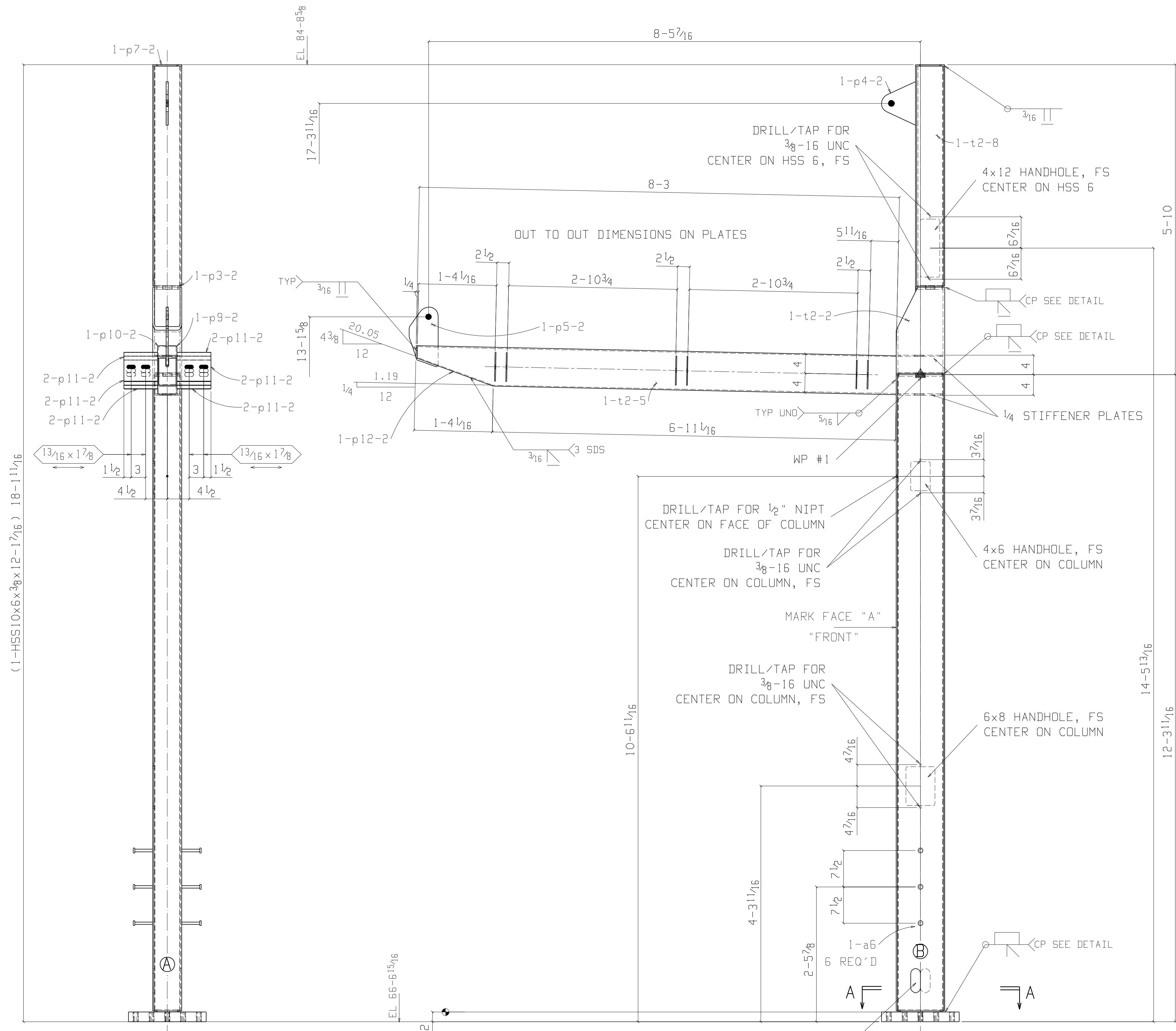
DETAILING: FABRICATION TECHNICAL SERVICES, INC.
 JOB 1171 1839 S. GREENSFERRY RD, COEUR D'ALENE, ID 83814
 (208) 457-8282 fax: (208) 457-8208

NOTES
 HOLES 1 3/16" DIA U.N.O. W.P. (TAILS)
 WELD 1/4 FILLET U.N.O. (E70XX)
 FINISH GALV PER A153

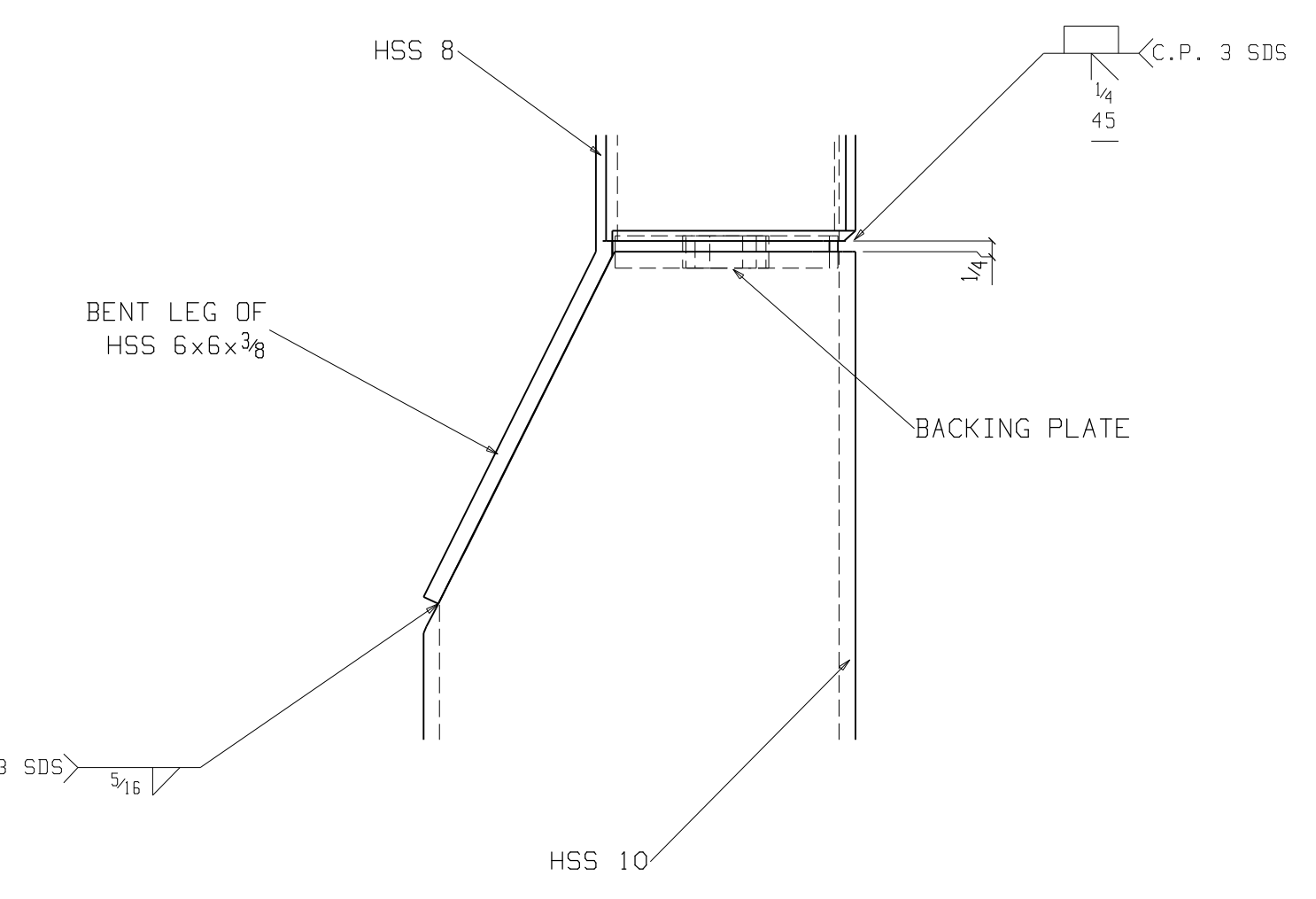
ALASKA METAL GOODS, INC.
 1101 H. STREET
 ANCHORAGE, ALASKA 99501
 ph: (907) 277-8899 fax: (907) 277-9001

NO.	DATE	BY	PROJECT
1	2-20-06	KB	SEWARD STREET RECONSTRUCTION
2			ARETE CONSTRUCTION
3			
4			
6			CANOPY COLUMN

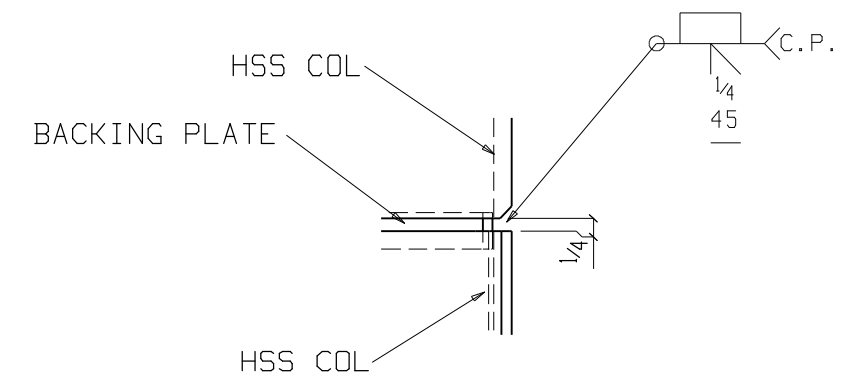
CONTRACTOR: ARETE CONSTRUCTION
 DATE: 09-07-05
 JOB NO:
 DWG NO: 8



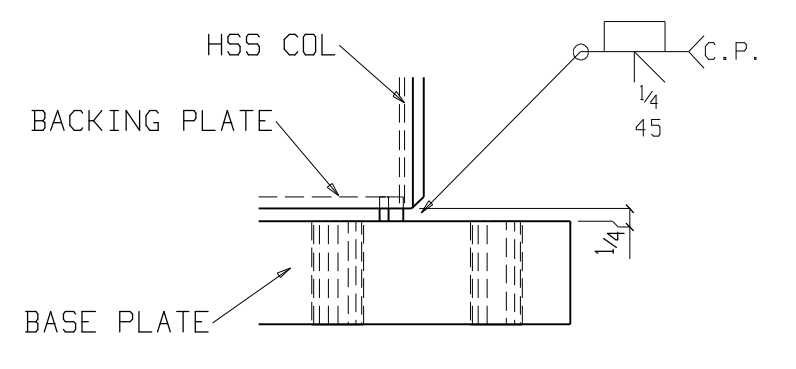
DBL CONDUIT PENETRATION



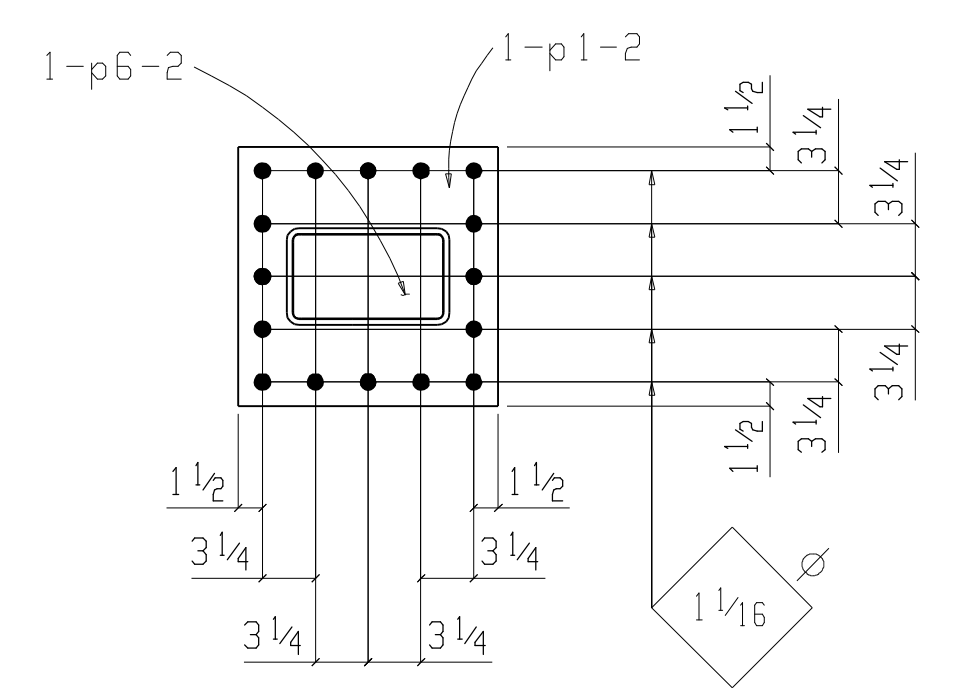
TRANSITION WELDS



CP WELD @ 3/8 COL/COL



CP WELD @ COL BASE



Section A-A
C8

ONE COLUMN C8

BILL OF MATERIAL

QTY	Piece	QTY	Description	Length	Remarks	Weight	
total	Mark	unit				Unit	
ONE	C9		COLUMN			1174.9	
1	t1-9	1	HSS10x6x3/8	10	8 7/16	A500B	403.4
1	t2-9	1	HSS10x6x3/8	2	0 1/16	A500B	77.5
1	t2-2	1	HSS10x6x3/8	1	5 3/4	A500B	55.7
2	t2-5	2	HSS8x4x3/8	8	2 15/16	A500B	239.6
1	t3-5	1	HSS6x6x3/8	5	0 15/16	A500B	139.5
1	p1-2	1	PL2x16	1	4	A36	145.2
2	p2-2	2	PL3/4x5 1/8	0	9 3/16	A36	20.0
1	p3-2	1	PL3/4x5 1/8	0	5 3/16	A36	5.6
1	p4-2	1	PL1/2x7 3/16	0	9	A36	5.6
1	p5-2	1	PL1/2x6	1	0 3/8	A36	10.5
1	p1-3	1	PL1/2x6	1	4 1/4	A36	13.8
1	p6-2	1	PL1/4x5 3/16	0	9 3/16	A36	6.8
1	p7-2	1	PL1/4x6	0	6	A36	2.6
4	p8-2	4	PL1/4x5 1/8	0	9 3/16	A36	13.4
2	p9-2	2	PL1/4x1 3/4	0	2 9/16	A36	0.6
2	p10-2	2	PL1/4x1 3/4	0	2 9/16	A36	0.6
12	p11-2	12	PL3/16x6	0	7	A36	26.8
2	p12-2	2	PL3/16x3 9/16	1	4 3/16	A36	6.1
6	a6	6	HS1/2	0	4		1.6

Total weight : 1175

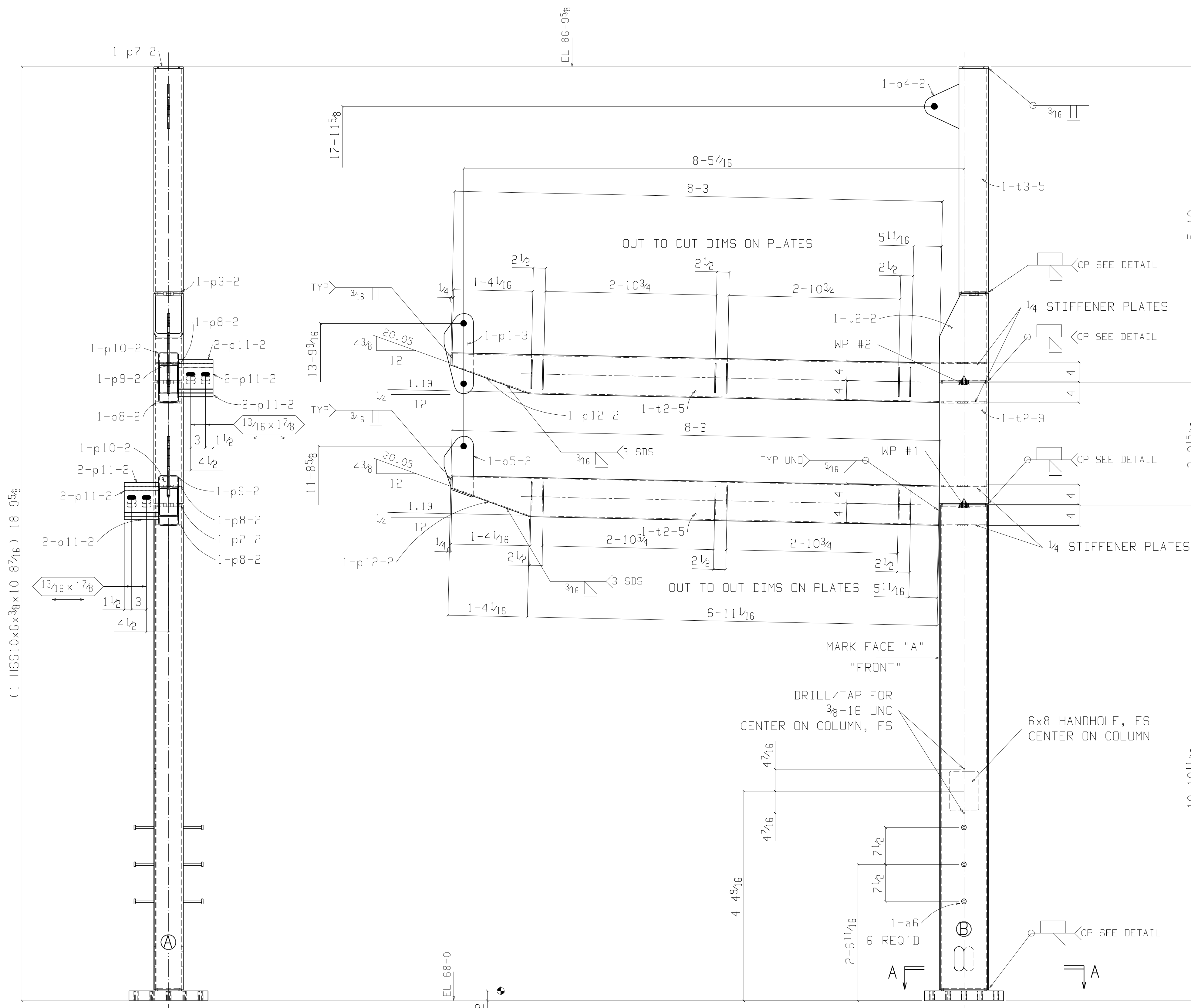
DETAILING: FABRICATION TECHNICAL SERVICES, INC.
 JOB 1171 1839 S. GREENSFERRY RD, COEUR D'ALENE, ID 83814
 (208) 457-8282 fax: (208) 457-8208

NOTES
 HOLES 1 3/16" DIA U.N.D. W.P. (TAILS)
 WELD 1/4 FILLET U.N.D. (E70XX)
 FINISH GALV PER A153

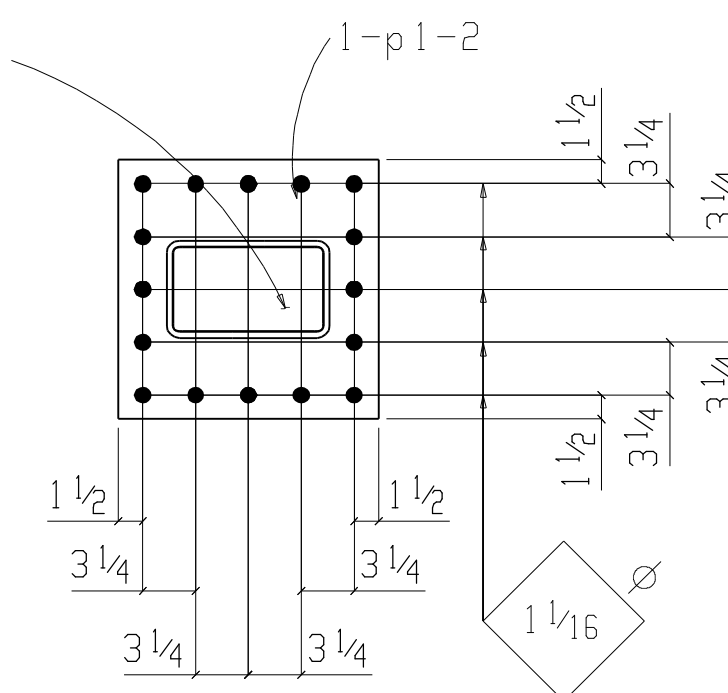
ALASKA METAL GOODS, INC.

1101 H. STREET
 ANCHORAGE, ALASKA 99501
 ph: (907) 277-8899 fax: (907) 277-9001

REVISIONS			PROJECT	
NO.	DATE	BY	DESCRIPTION	DATE
1	2-20-06	KB	RECONSTRUCTION	
2			ARETE CONSTRUCTION	09-07-05
3				
4				
6			CANOPY COLUMN	

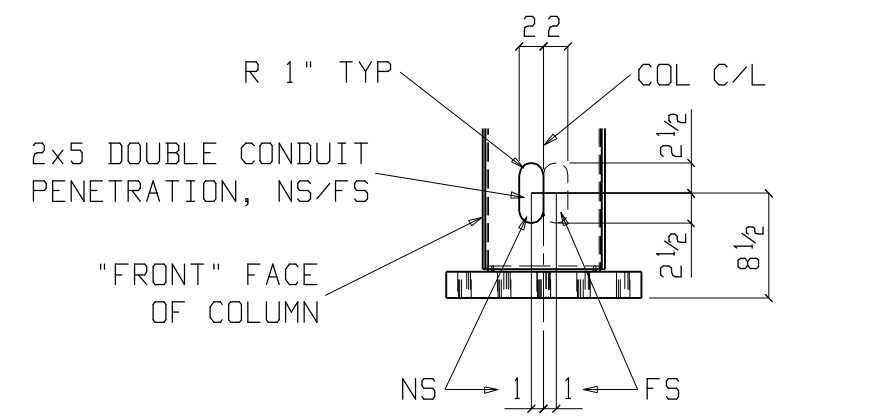


(1-HSS10x6x3/8x10-8 7/16) 18-9 5/8

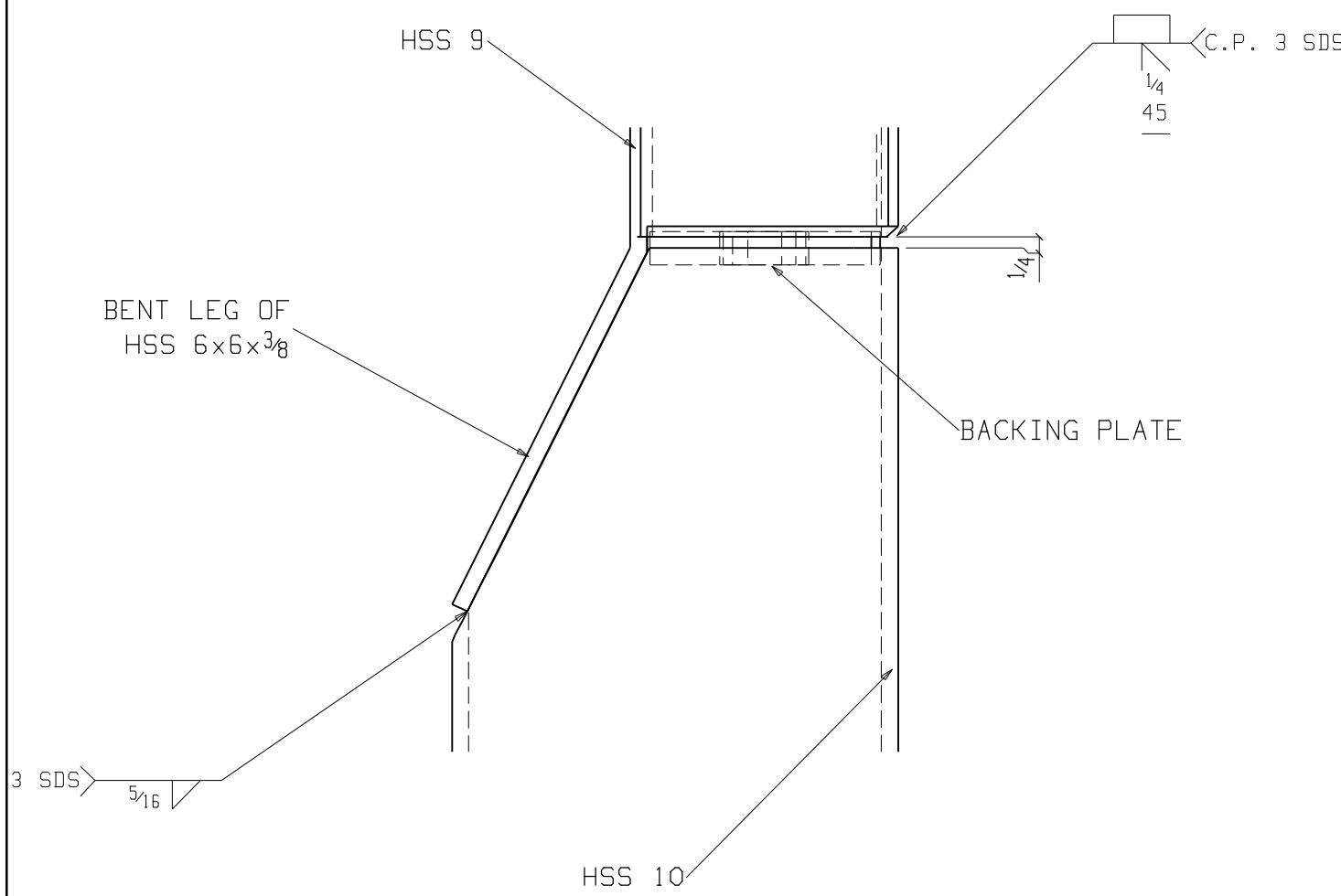


Section A-A
C9

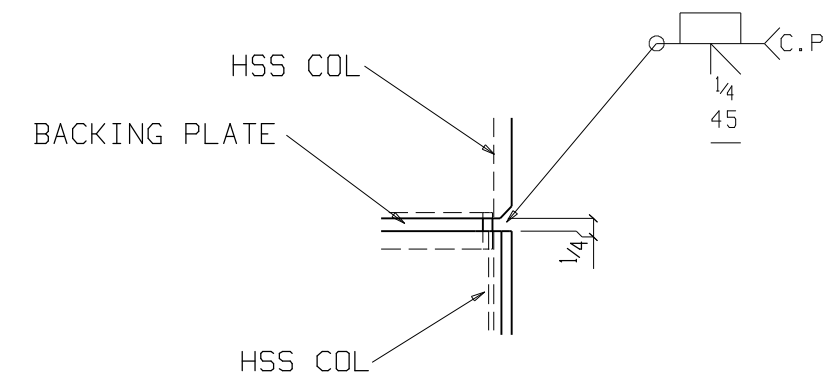
ONE COLUMN C9



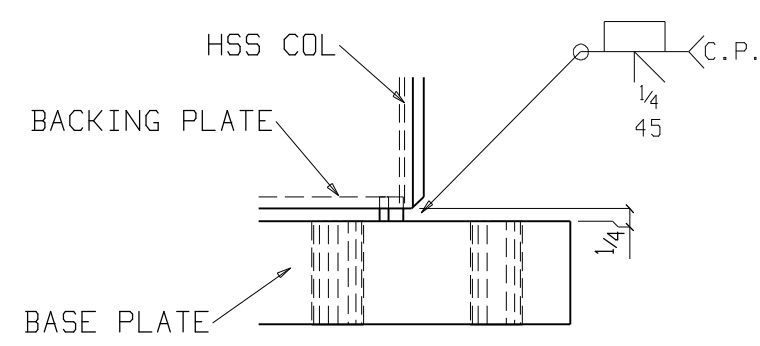
DBL CONDUIT PENETRATION



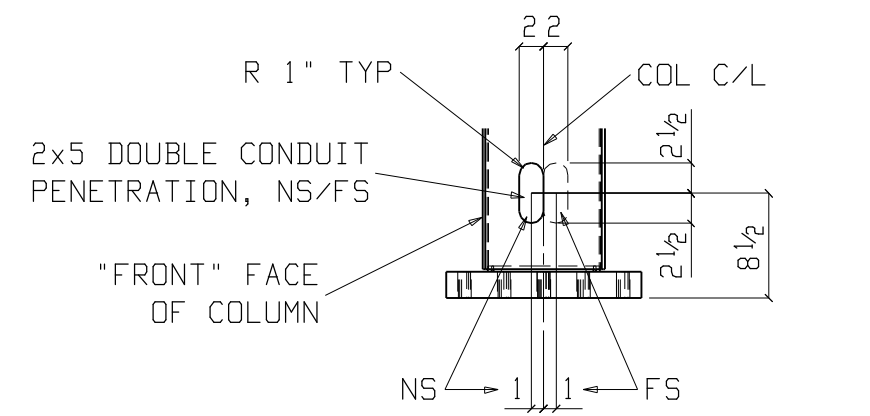
TRANSITION WELDS



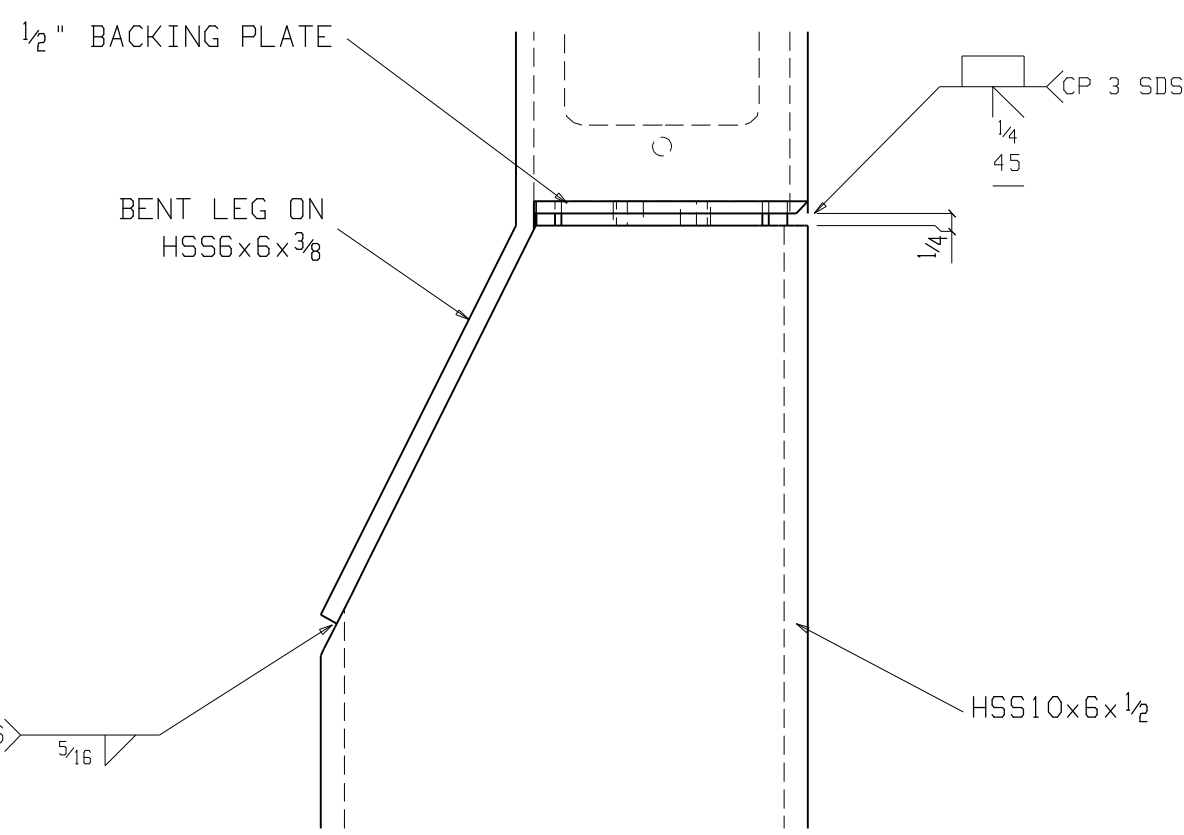
CP WELD @ 3/8 COL/COL



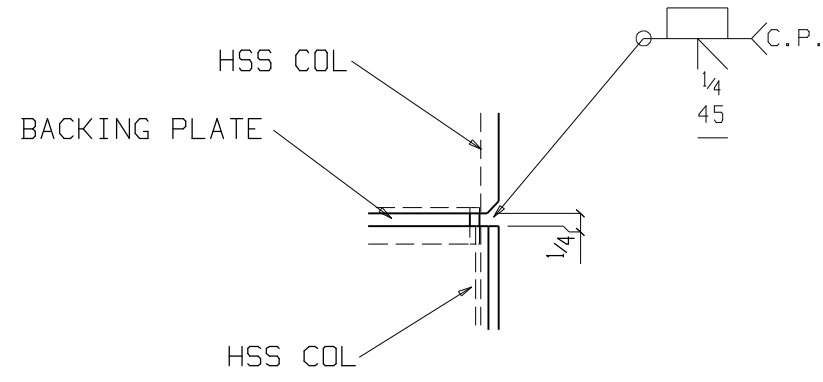
CP WELD @ COL BASE



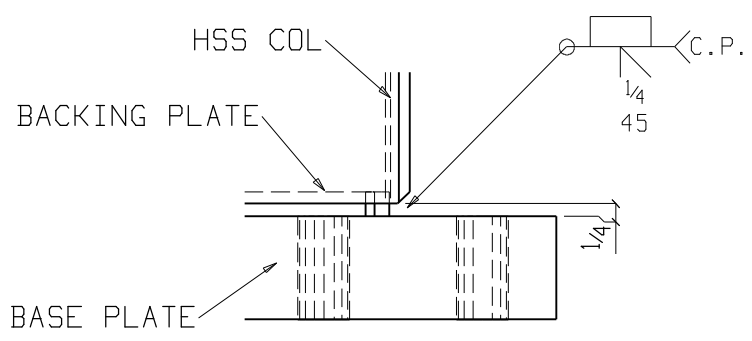
DBL CONDUIT PENETRATION



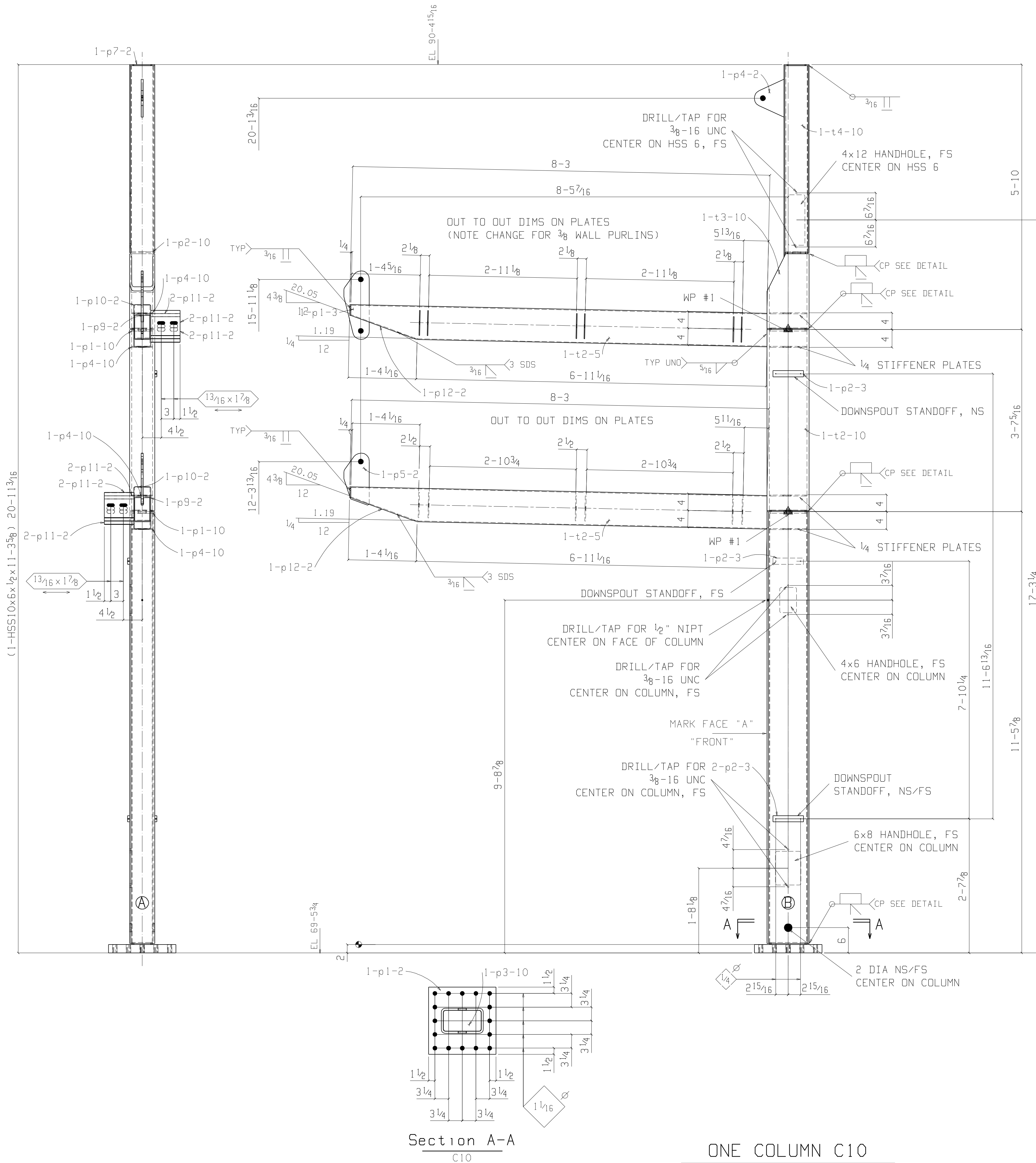
TRANSITION WELDS



CP WELD @ 3/8 COL/COL



CP WELD @ COL BASE



Section A-A
C10

ONE COLUMN C10

BILL OF MATERIAL

QTY	Piece	QTY	Description	Length	Remarks	Weight
total	Mark	unit				Unit
ONE	C10		COLUMN			1438.1
1	t1-10	1	HSS10x6x1/2	11	3/8	A500B 552.1
1	t2-10	1	HSS10x6x1/2	3	7/16	A500B 175.3
1	t3-10	1	HSS10x6x1/2	1	5/8	A500B 72.3
2	t2-5	2	HSS8x4x3/8	8	2 15/16	A500B 239.6
1	t4-10	1	HSS6x6x3/8	5	0 15/16	A500B 139.5
1	p1-2	1	PL 2x16	1	4	A36 145.2
2	p1-10	2	PL 3/4x15 1/16	0	8 15/16	A36 18.8
1	p4-2	1	PL 1/2x7 3/16	0	9	A36 5.6
1	p5-2	1	PL 1/2x6	1	0 8	A36 10.5
1	p1-3	1	PL 1/2x6	1	4 1/4	A36 13.8
1	p2-10	1	PL 1/2x5 1/8	0	5 3/16	A36 3.7
1	p3-10	1	PL 1/2x4 15/16	0	8 15/16	A36 6.3
4	p2-3	4	PL 1/2x1 1/2	0	7 1/4	A36 6.2
1	p7-2	1	PL 1/4x6	0	6	A36 2.6
4	p4-10	4	PL 1/4x15 1/16	0	8 15/16	A36 12.5
2	p10-2	2	PL 1/4x1 3/4	0	2 3/16	A36 0.6
2	p9-2	2	PL 1/4x1 3/4	0	2 3/16	A36 0.6
12	p11-2	12	PL 3/16x6	0	7	A36 26.8
2	p12-2	2	PL 3/16x3 3/8	1	4 3/16	A36 6.1

Total weight : 1438

DETAILING: FABRICATION TECHNICAL SERVICES, INC.
JOB 1171 1839 S. GREENSFERRY RD, COEUR D'ALENE, ID 83814
(208) 457-8282 fax: (208) 457-8208

NOTES
HOLES 1 3/16" DIA U.N.O. W.P. (TAILS)
WELD 1/4 FILLET U.N.O. (E70XX)
FINISH GALV PER A153

ALASKA METAL GOODS, INC.

1101 H. STREET
ANCHORAGE, ALASKA 99501
ph: (907) 277-8899 fax: (907) 277-9001

REVISIONS		PROJECT	
NO.	DATE	BY	DESCRIPTION
1	2-20-06	KB	SEWARD STREET RECONSTRUCTION
2			ARETE CONSTRUCTION
3			
4			
6			CANOPY COLUMN

CONTRACTOR	DATE	DWG NO
ARETE CONSTRUCTION	09-07-05	10

BILL OF MATERIAL

QTY	Piece	QTY	Description	Length	Remarks	Weight
total	Mark	unit				
ONE	C11		COLUMN			1405.5
1	t1-11	1	HSS10x6x5/8	14	15/16	A500B 840.1
1	t2-11	1	HSS10x6x5/8	1	5/8	A500B 87.7
1	t2-5	1	HSS8x4x3/8	8	2 15/16	A500B 119.8
1	t2-8	1	HSS6x6x3/8	5	0 15/16	A500B 139.5
1	p1-2	1	PL2x16	1	4	A36 145.2
1	p1-11	1	PL3/4x4 1/16	0	8 1/16	A36 8.7
1	p4-2	1	PL 1/2 x 7 3/16	0	9	A36 5.6
1	p5-2	1	PL 1/2 x 6	1	0 3/8	A36 10.5
1	p2-10	1	PL 1/2 x 5 1/8	0	5 3/16	A36 3.7
1	p2-11	1	PL 1/2 x 4 1/16	0	8 1/16	A36 5.8
1	p7-2	1	PL 1/4 x 6	0	6	A36 2.6
2	p3-11	2	PL 1/4 x 4 1/16	0	8 1/16	A36 5.8
1	p9-2	1	PL 1/4 x 1 3/4	0	2 3/16	A36 0.3
1	p10-2	1	PL 1/4 x 1 3/4	0	2 3/16	A36 0.3
12	p11-2	12	PL 3/16 x 6	0	7	A36 26.8
1	p12-2	1	PL 3/16 x 3 3/16	1	4 3/16	A36 3.1

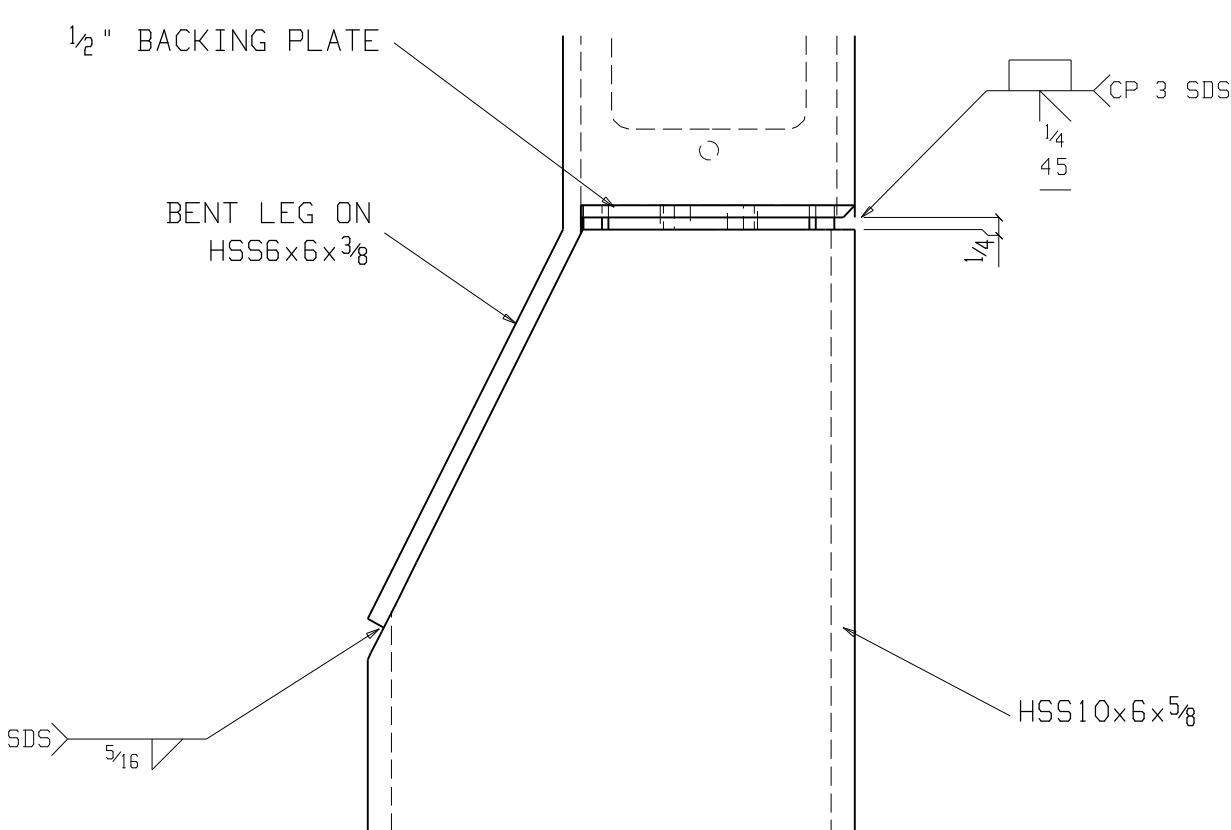
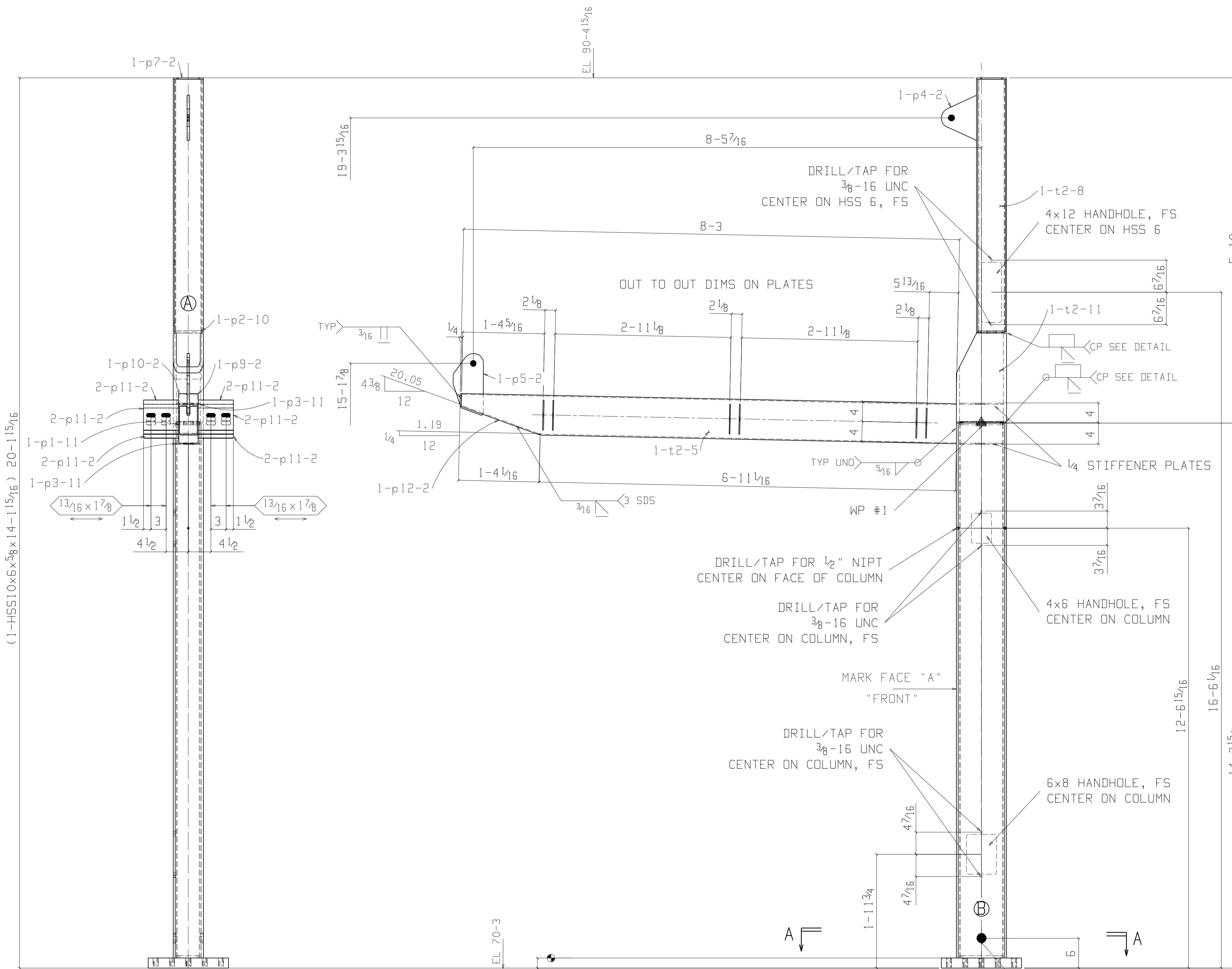
Total weight : 1405

DETAILING: FABRICATION TECHNICAL SERVICES, INC.
 JOB 1171 1839 S. GREENSFERRY RD, COEUR D'ALENE, ID 83814
 (208) 457-8282 fax: (208) 457-8208

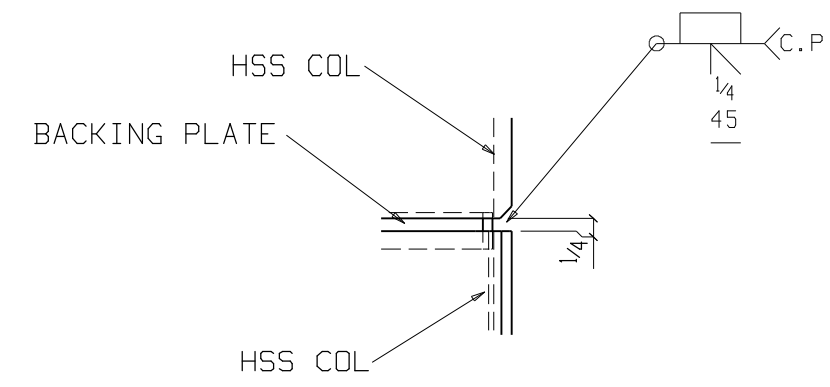
NOTES
 HOLES 1 3/16" DIA U.N.D. W.P. (TAILS)
 WELD 1/4 FILLET U.N.D. (E70XX)
 FINISH GALV PER A153

ALASKA METAL GOODS, INC.
 1101 H. STREET
 ANCHORAGE, ALASKA 99501
 ph: (907) 277-8899 fax: (907) 277-9001

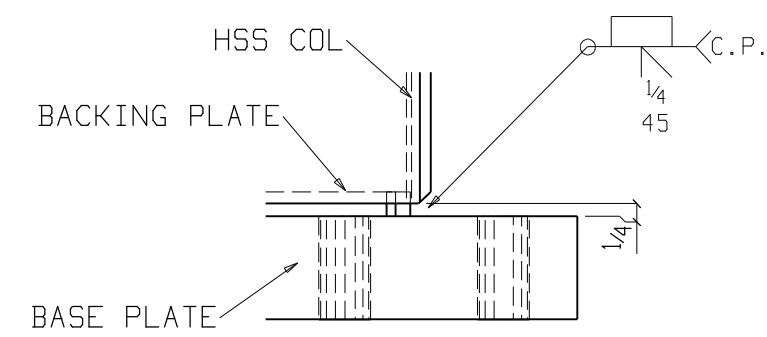
NO.	DATE	BY	PROJECT	CONTRACTOR	DATE	DRW: RRP	DRW: KB
1	2-20-06	KB	SEWARD STREET RECONSTRUCTION	ARETE CONSTRUCTION	09-07-05		
2							
3							
4							
6			CANOPY COLUMN				



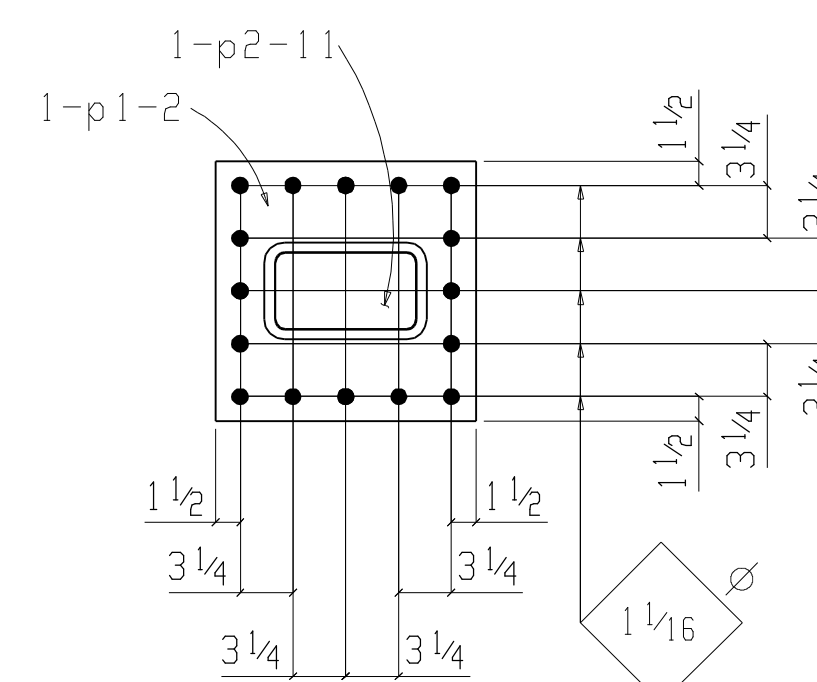
TRANSITION WELDS



CP WELD @ 3/8 COL/COL



CP WELD @ COL BASE

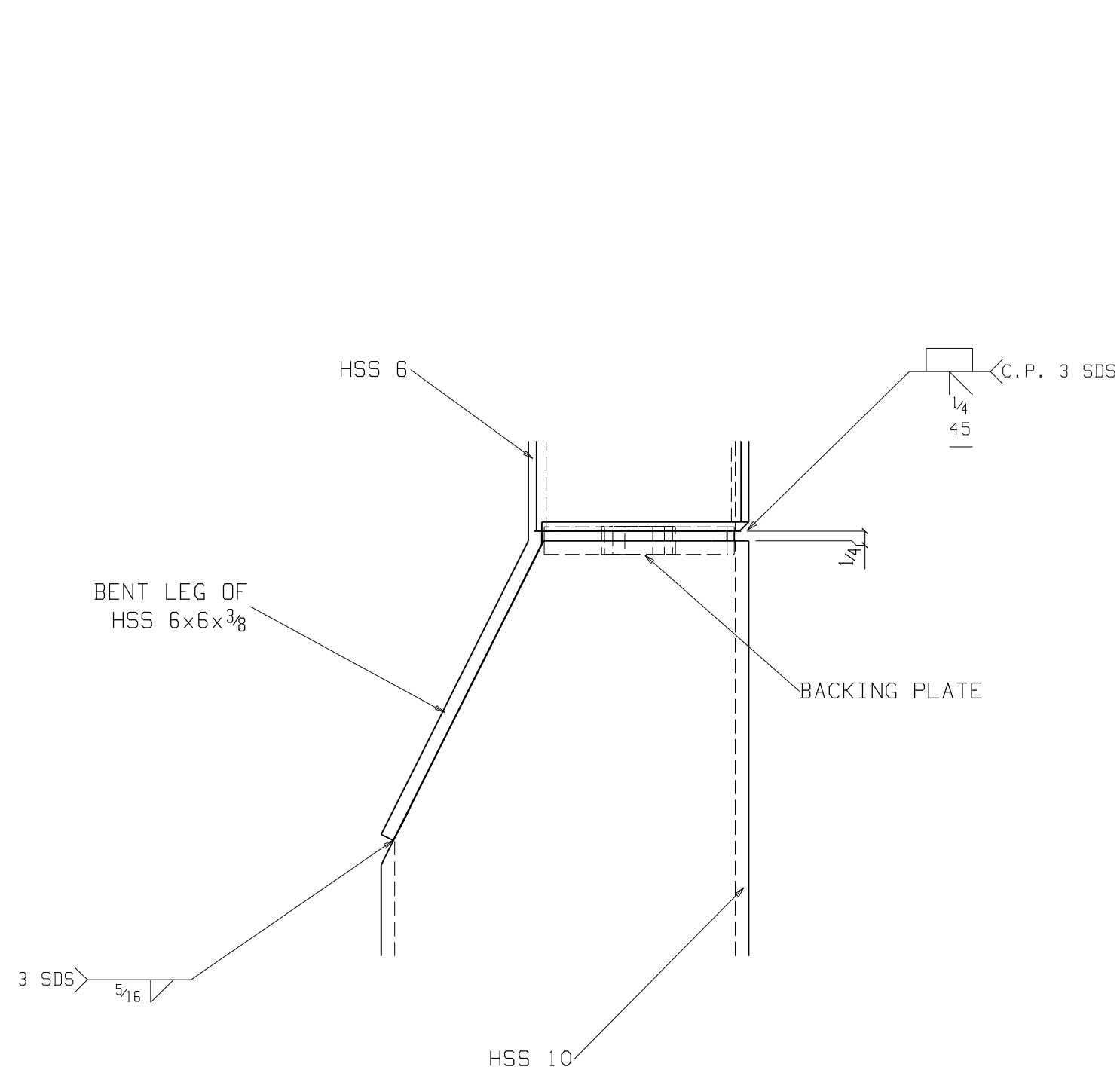


Section A-A
C11

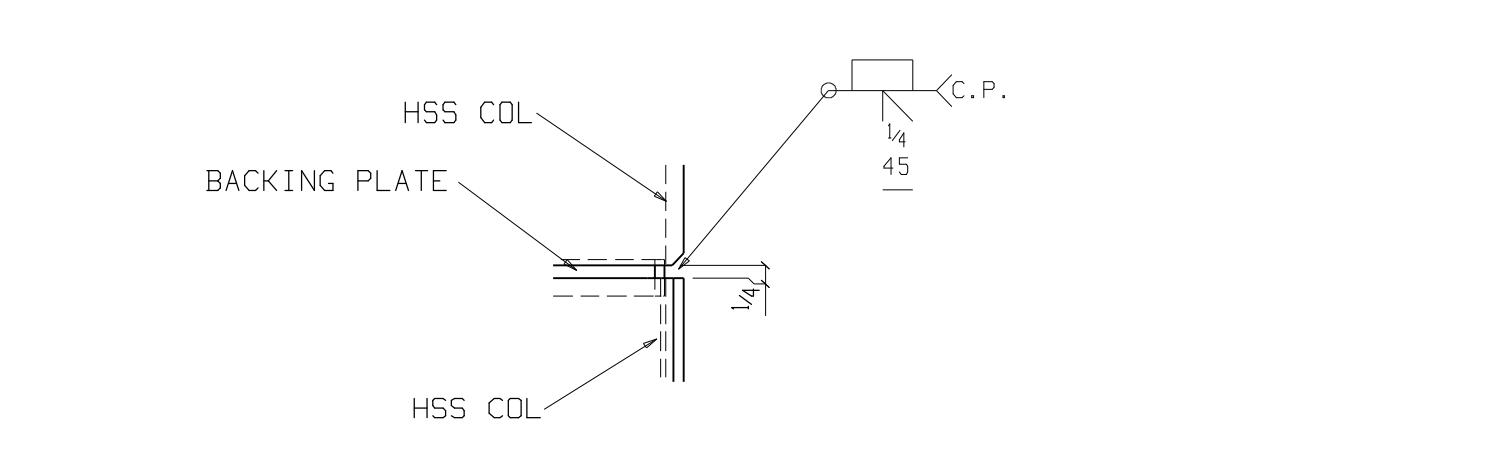
ONE COLUMN C11

BILL OF MATERIAL

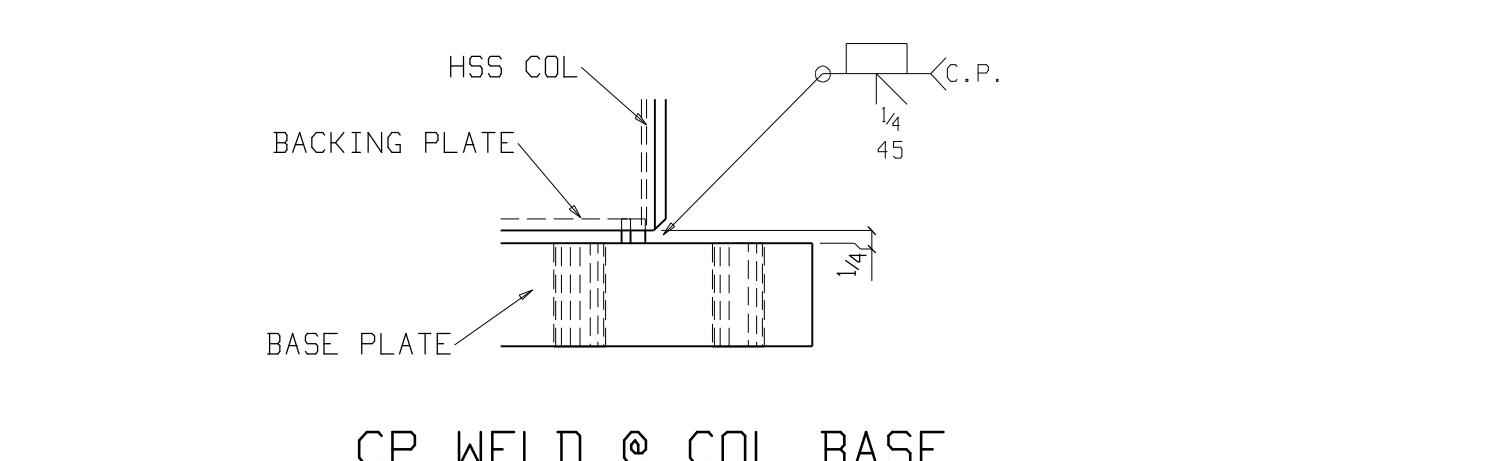
QTY	Piece	QTY	Description	Length	Remarks	Weight
total	Mark	unit				Unit
ONE	C13		COLUMN			1025.1
1	t1-13	1	HSS10x6x3/8	12	A500B	486.6
1	t2-2	1	HSS10x6x3/8	1	A500B	55.7
1	t2-5	1	HSS8x4x3/8	8	A500B	119.8
1	t3-5	1	HSS6x6x3/8	5	A500B	139.5
1	p1-2	1	PL2x16	1	A36	145.2
1	p2-2	1	PL3/4x5 1/2	0	A36	10.0
1	p3-2	1	PL3/4x5 1/2	0	A36	5.6
1	p4-2	1	PL1/2x7 3/16	0	A36	5.6
1	p5-2	1	PL1/2x6	1	A36	10.5
1	p6-2	1	PL1/2x5 3/16	0	A36	6.8
1	p7-2	1	PL1/4x6	0	A36	2.6
2	p8-2	2	PL1/4x5 1/2	0	A36	6.7
1	p10-2	1	PL1/4x1 3/4	0	A36	0.3
1	p9-2	1	PL1/4x1 3/4	0	A36	0.3
12	p11-2	12	PL3/16x6	0	A36	26.8
1	p12-2	1	PL3/16x3 9/16	1	A36	3.1
Total weight : 1025						



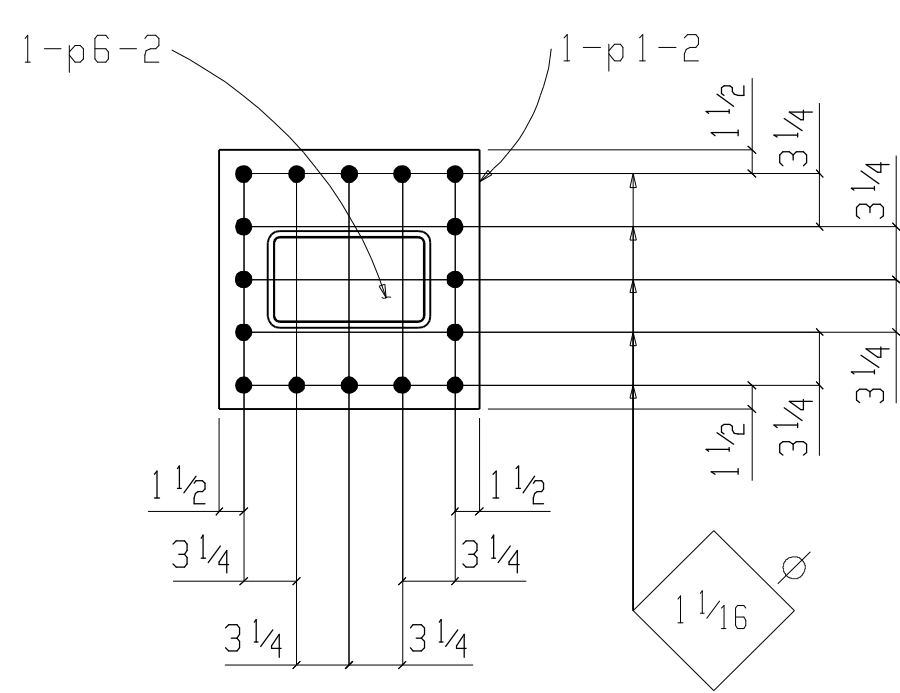
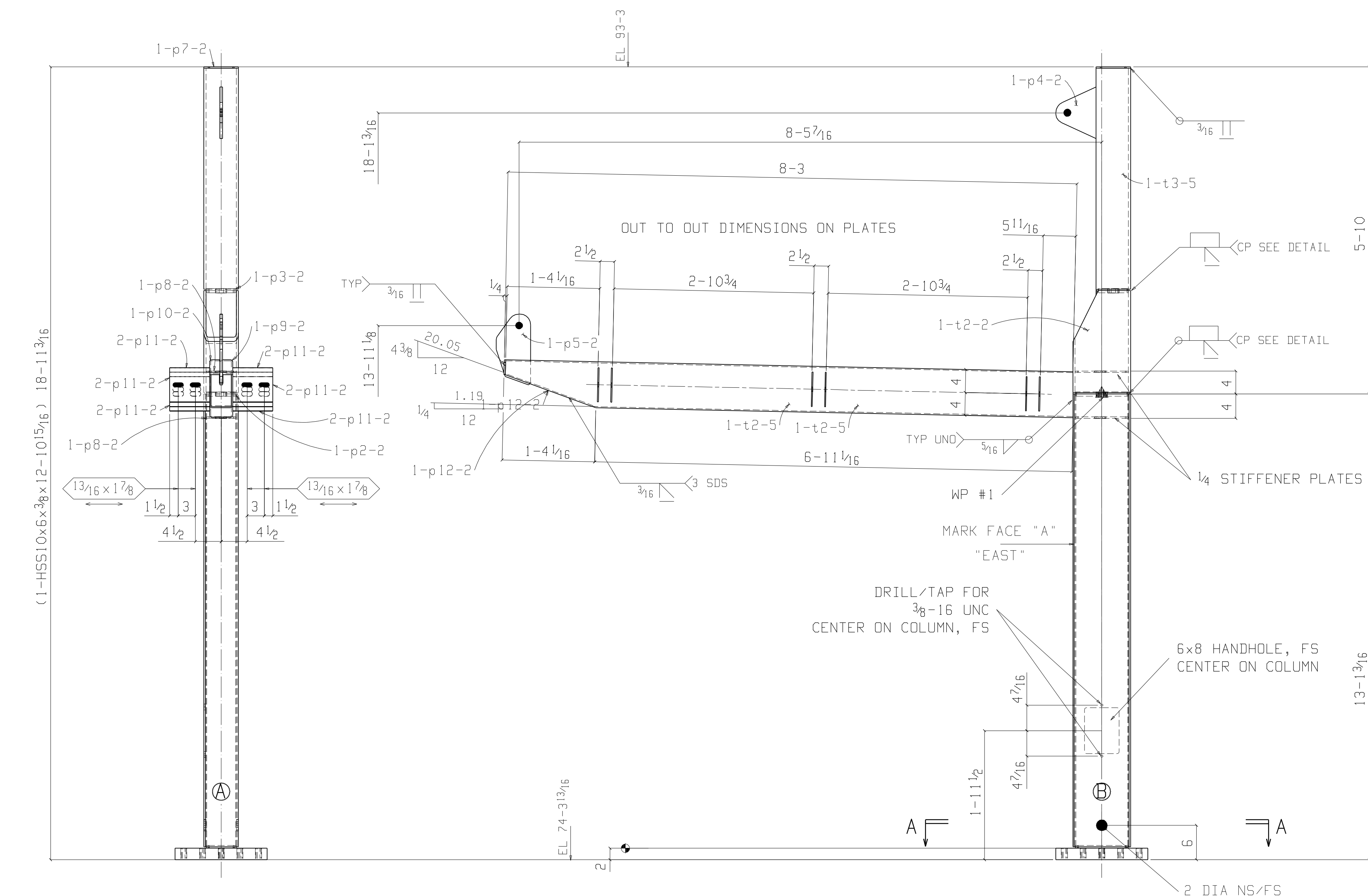
TRANSITION WELDS



CP WELD @ 3/8 COL/COL



CP WELD @ COL BASE



Section A-A
C13

ONE COLUMN C13

DETAILING: FABRICATION TECHNICAL SERVICES, INC.
JOB 1171 1839 S. GREENSFERRY RD, COEUR D'ALENE, ID 83814
(208) 457-8282 fax: (208) 457-8208

NOTES
HOLES 1 3/16" DIA U.N.O. W.P. (TAILS)
WELD 1/4 FILLET U.N.O. (E70XX)
FINISH GALV PER A153

ALASKA METAL GOODS, INC.
1101 H. STREET
ANCHORAGE, ALASKA 99501
ph: (907) 277-8899 fax: (907) 277-9001

REVISIONS			PROJECT	
NO.	DATE	BY	DESCRIPTION	DATE
1	2-20-06	KB	SEWARD STREET RECONSTRUCTION	
2			ARETE CONSTRUCTION	09-07-05
3				
4				
6			CANOPY COLUMN	

BILL OF MATERIAL

QTY	Piece	QTY	Description	Length	Remarks	Weight
total	Mark	unit				
ONE	C14		COLUMN			1576.2
1	t1-14	1	HSS10x6x1/2	11	10 ⁹ / ₁₆	A500B 580.3
1	t2-14	1	HSS10x6x1/2	5	10 ¹ / ₁₆	A500B 285.2
1	t3-10	1	HSS10x6x1/2	1	5 ³ / ₄	A500B 72.3
2	t2-5	2	HSS8x4x3/8	8	2 ¹⁵ / ₁₆	A500B 239.6
1	t2-8	1	HSS6x6x3/8	5	0 ¹⁵ / ₁₆	A500B 139.5
1	p1-2	1	PL2x16	1	4	A36 145.2
2	p1-10	2	PL3/4x15 ¹ / ₁₆	0	8 ¹⁵ / ₁₆	A36 18.8
1	p4-2	1	PL1/2x7 ³ / ₁₆	0	9	A36 5.6
1	p5-2	1	PL1/2x6	1	0 ⁹ / ₈	A36 10.5
1	p1-3	1	PL1/2x6	1	4 ¹ / ₄	A36 13.8
1	p2-10	1	PL1/2x5 ¹ / ₈	0	5 ³ / ₁₆	A36 3.7
4	p1-12	4	PL1/4x4 ¹⁵ / ₁₆	0	8 ¹⁵ / ₁₆	A36 12.5
1	p3-10	1	PL1/2x4 ¹⁵ / ₁₆	0	8 ¹⁵ / ₁₆	A36 6.3
4	p2-3	4	PL1/2x1 ¹ / ₂	0	7 ¹ / ₄	A36 6.2
1	p7-2	1	PL1/4x6	0	6	A36 2.6
2	p9-2	2	PL1/4x1 ³ / ₄	0	2 ⁹ / ₁₆	A36 0.6
2	p10-2	2	PL1/4x1 ³ / ₄	0	2 ⁹ / ₁₆	A36 0.6
12	p11-2	12	PL3/8x6x6	0	7	A36 26.8
2	p12-2	2	PL3/8x3 ⁹ / ₁₆	1	4 ³ / ₁₆	A36 6.1

Total weight : 1576

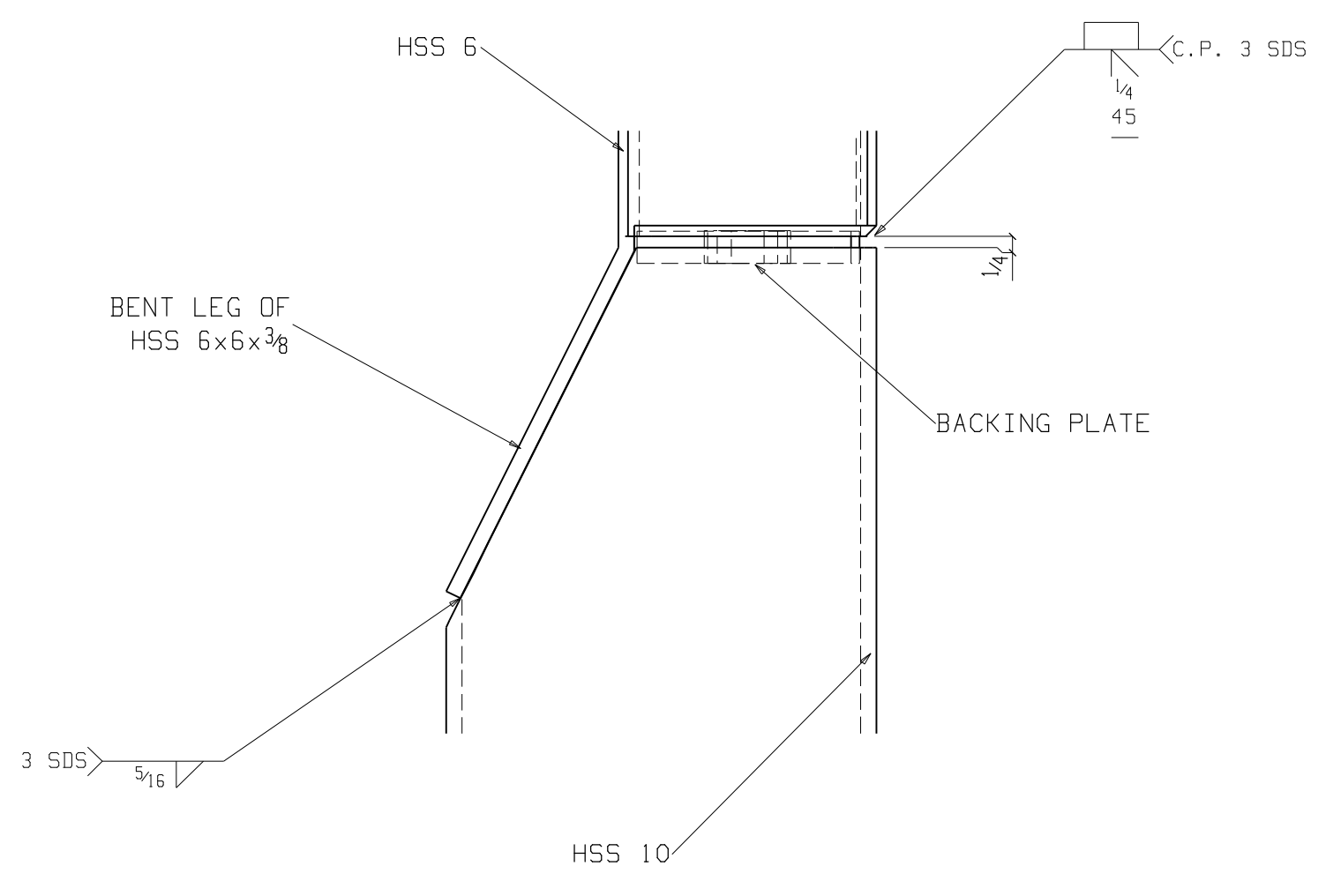
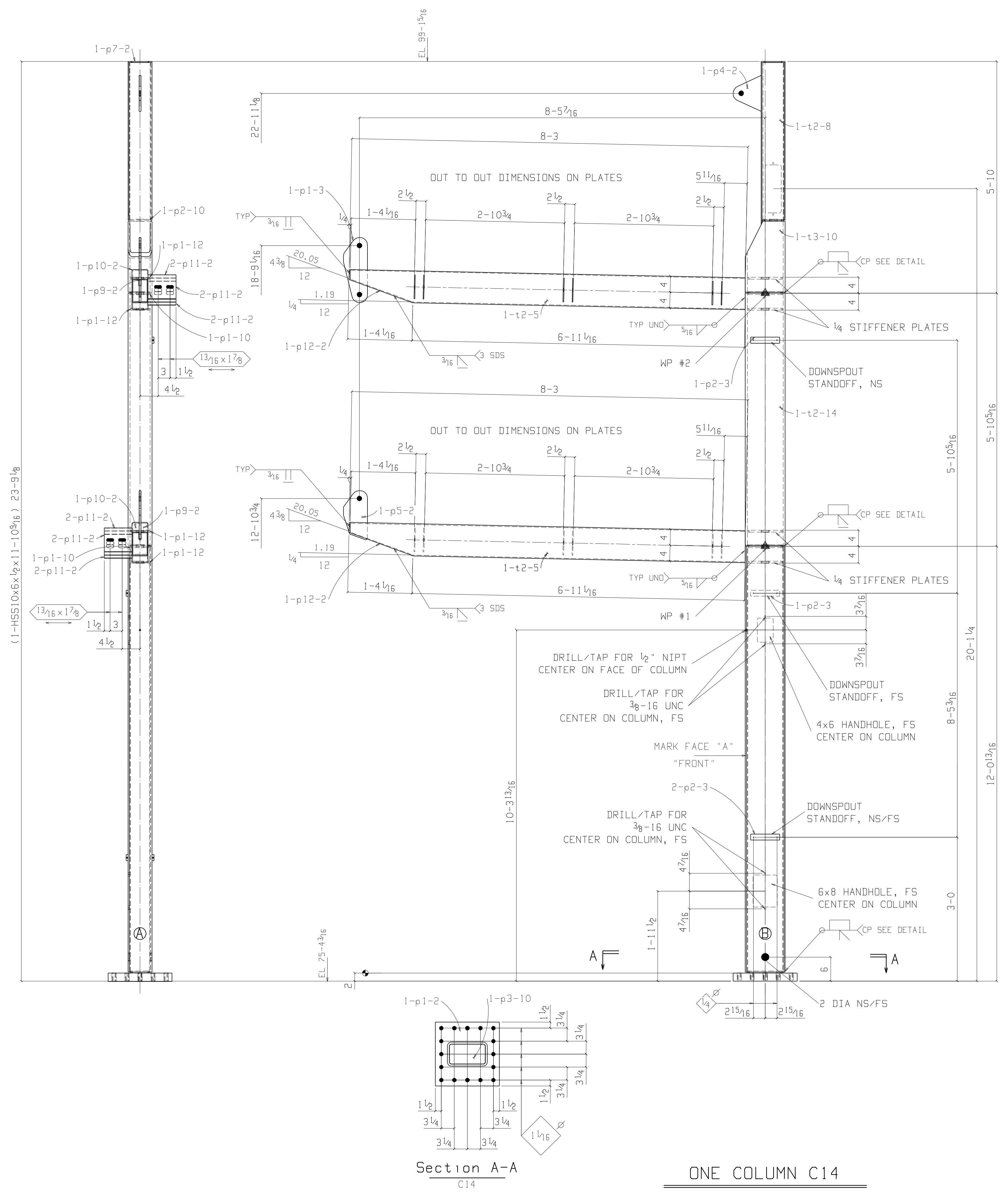
DETAILING: FABRICATION TECHNICAL SERVICES, INC.
 JOB 1171 1839 S. GREENSFERRY RD, COEUR D'ALENE, ID 83814
 (208) 457-8282 fax: (208) 457-8208

NOTES
 HOLES 1³/₁₆" DIA U.N.O. W.P. (TAILS)
 WELD 1/4 FILLET U.N.O. (E70XX)
 FINISH GALV PER A153

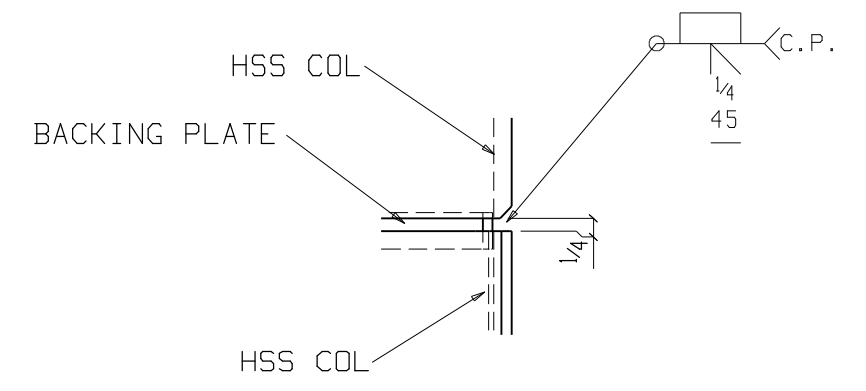
ALASKA METAL GOODS, INC.

1101 H. STREET
 ANCHORAGE, ALASKA 99501
 ph: (907) 277-8899 fax: (907) 277-9001

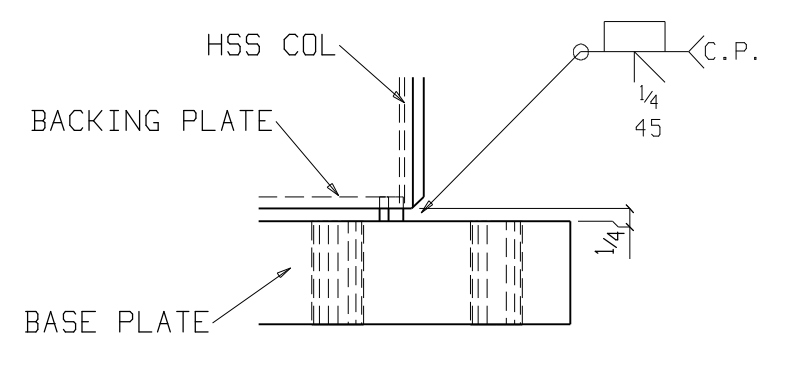
NO.	DATE	BY	PROJECT	CONTRACTOR	DATE	DRW: RRP	DRW: KB
1	2-20-06	KB	SEWARD STREET RECONSTRUCTION	ARETE CONSTRUCTION	09-07-05		
2							
3							
4							
6							



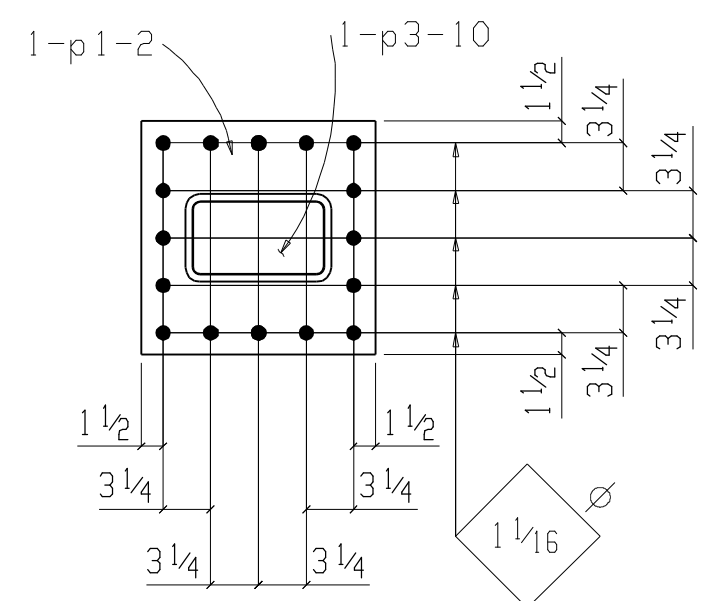
TRANSITION WELDS



CP WELD @ 3/8 COL/COL



CP WELD @ COL BASE



Section A-A
C14

ONE COLUMN C14

